



# Ministry of Defence

**RIFLE .22 in. No.8 Mk 1**  
1005-99-961-9008 (long butt)  
1005-99-961-9009 (normal butt)  
1005-99-961-9010 (short butt)

## ILLUSTRATED PARTS CATALOGUE

Sponsored for use in the  
UNITED KINGDOM MINISTRY OF DEFENCE  
AND ARMED FORCES  
by

SOLDIER SYSTEMS PROGRAM LETHALITY  
PROJECT TEAM  
KD4Q8

**CONDITIONS OF RELEASE**

~~This information is released by the UK Government for Defence purposes only.~~

~~This information must be afforded the same degree of protection as that afforded to information of an equivalent classification originated by the recipient Government or as required by the recipient Government's National Security regulations.~~

~~This information may be disclosed only within the Defence Department of the recipient Government, except as otherwise authorized by the Ministry of Defence (Army).~~

~~This information may be subject to privately owned rights.~~

~~THIS DOCUMENT IS THE PROPERTY OF HER BRITANNIC MAJESTY'S GOVERNMENT, and is issued for the information of such persons only as need to know its contents in the course of their official duties. Any person finding this document should hand it in to a British forces unit or to a police station for its safe return to the Ministry of Defence, (DDef Sy), Main Building, Whitehall London, SW1A 2HB, with particulars of how and where found. THE UNAUTHORIZED RETENTION OR DESTRUCTION OF THIS DOCUMENT IS AN OFFENCE UNDER THE OFFICIAL SECRETS ACTS OF 1911-1989. (When released to persons outside Government service, this document is issued on a personal basis. The recipient to whom it is entrusted in confidence, within the provisions of the Official Secrets Acts 1911-1989, is personally responsible for its safe custody and for seeing that its contents are disclosed only to authorized persons.)~~

© CROWN COPYRIGHT RESERVED

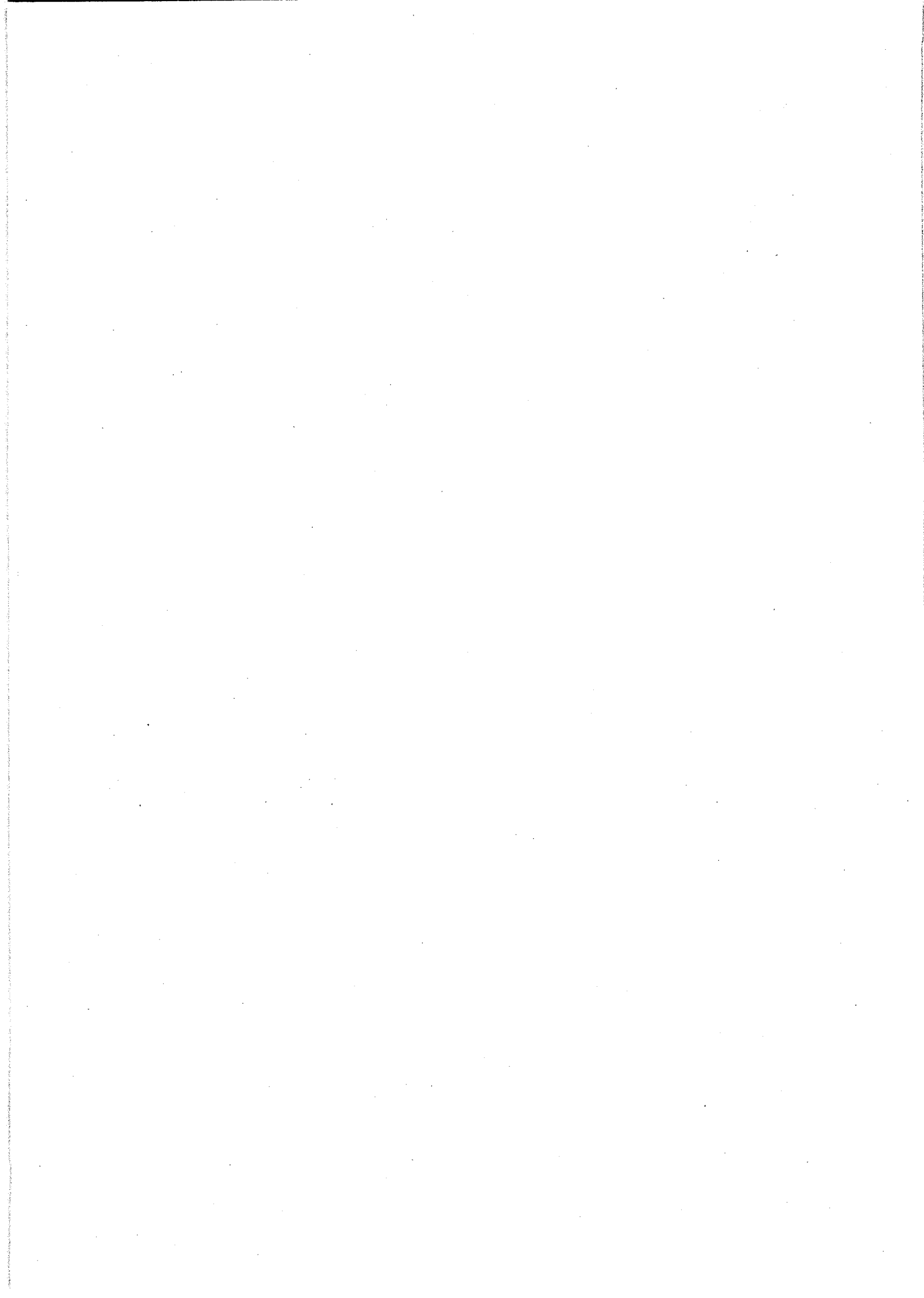


**AMENDMENT RECORD**

Amdt No.	Incorporated By (Signature)	Date
1		
2		
3		
4		
5		
6		
7		
8		
9		
10		
11		
12		
13		
14		
15		
16		
17		
18		
19		
20		
21		
22		
23		
24		
25		
26		
27		
28		
29		
30		
31		

Amdt No.	Incorporated By (Signature)	Date
32		
33		
34		
35		
36		
37		
38		
39		
40		
41		
42		
43		
44		
45		
46		
47		
48		
49		
50		
51		
52		
53		
54		
55		
56		
57		
58		
59		
60		
61		
62		





**CONTENTS**

**PRELIMINARY MATERIAL**

	Page
Front cover (title page) .....	(i)
CONDITIONS OF RELEASE .....	(ii)
AMENDMENT RECORD .....	(iii)/(iv)
CONTENTS (this list) .....	(v)
PREFACE .....	(vi)
Introduction .....	(vi)
Quantity .....	(vi)
Demands .....	(vi)
Modification state .....	(vi)
Annotations .....	(vii)
Abbreviations .....	(vii)
Amendments .....	(vii)
Indentation .....	(vii)
Description .....	(vii)
Related and associated publications .....	(viii)
Related publications .....	(viii)
Associated publications .....	(viii)
List of abbreviations .....	(ix)
COMMENT(S) ON AESP .....	Final leaf

**ILLUSTRATED PARTS CATALOGUE**

Chapter

- 1 General information
- 2 Parts list
- 3 Indexes

**PREFACE**

Sponsor: SSP Lethality  
Project Number: -  
File Ref: -

Publication Authority: SSP Lethality

**INTRODUCTION**

1 Any comments by service users on this publication should be forwarded through the channels prescribed in Army Equipment Support Publication (AESP) 0100-P-011-013. An AESP Form 10 is provided at the end of this publication; it should be photocopied and used for forwarding comments on this AESP.

2 AESPs are issued under UK MoD authority and where AESPs specify action is to be taken, the AESP will of itself be sufficient authority for such action and also for the demanding of the necessary stores, subject to the provisions of Para 3 below.

3 The subject matter of this publication may be affected by Defence Instructions and Notices (DINs), Standard Operating Procedures (SOPs) or by local regulations. When any such instruction, Order or Regulation contradicts any portion of this publication it is to be taken as the overriding authority.

4 This Illustrated Parts Catalogue (IPC) is designed as an aid to the identification of components, parts or assemblies of parts of the equipment and to provide information necessary for demanding spares.

5 This IPC may list some or all of the parts comprising the equipment concerned, but only those parts assigned a NATO Stock Number, Service Catalogue or Reference Number will normally be available as spares. Should there be a requirement for an item not assigned a number, demands may be submitted quoting AESP, Item Number, Figure reference and Item Name. Where a manufacturer's reference is known, this should also be quoted.

**Quantity**

6 The figure in the 'Number Off' column specifies the quantity for the unit (or assembly, sub-assembly etc); it does not indicate the quantity to be demanded.

**Demands**

7 When demanding Spare Parts the following particulars must be quoted:

- 7.1 Management Code (Man Code).
- 7.2 NATO Stock Number.
- 7.3 Item Name.
- 7.4 Name of equipment for which the part is required.
- 7.5 Manufacturer's reference, if known.

**NOTE**

Alternatives quoted apply only to the equipment covered by this IPC.

**Modification state**

8 When appropriate, a list at the front of each chapter or sub-chapter will indicate the modification numbers which have been incorporated in the IPC by amendment action, subsequent to initial issue.

### Annotations

9 The following notations are used in this publication:

- 9.1 AR - When appearing in the 'Number Off' column indicates that the quantity is 'as required'.
- 9.2 NI - (Not Illustrated) when appearing with a number in the 'Fig Item' column indicates that the item is not illustrated.
- 9.3 NP - (Non Provisioned) when appearing in the 'NATO Stock Number' column indicates that the item may be illustrated, but not available from stock as a replacement item.
- 9.4 REF - In the 'Number Off' column indicates that the item is listed for reference purposes only.

### Abbreviations

10 Abbreviations and symbols used in the IPC have been approved and are listed separately.

### Amendments

- 11 Amendments to the catalogue will be published as and when necessary. These will be numbered consecutively, and the Amendment record sheet is to be completed for each amendment list embodied.
- 12 New or amended material will be highlighted by side lining to show the extent of the amendment.

### Indentation

13 Items are listed in a logical assembly/disassembly order and are identified by the 'dot system' in which each 'dot' depicts the relationship of the item to the assembly.

#### MAIN ASSEMBLY

Attaching parts for main assembly.

- . FIRST LEVEL OF BREAKDOWN (Sub-assembly or detail part of main assembly).  
. Attaching parts for first level.
- .. SECOND LEVEL OF BREAKDOWN (Sub-sub-assembly or detailed part of sub-assembly).  
.. Attaching parts for second level.
- ... THIRD LEVEL OF BREAKDOWN (Sub-sub-sub-assembly or detail part of sub-sub-assembly).  
... Attaching parts of third level.
- .... FOURTH LEVEL OF BREAKDOWN (Sub-sub-sub-sub-assembly or detail part of sub-sub-sub-assembly)  
.... Attaching parts for fourth level.

### NOTES

- (1) Attaching parts for the Main Assembly are listed at the end of the text of the Main Assembly.
- (2) Catalogue numbers quoted in this catalogue will supersede any number that may have been allocated previously.

### Description

14 The Item Description and Annotation Block is also to convey additional information to the IPC user, such as:

- 14.1 Related location details, i.e. another AESP or Chapter/Item within the AESP.

14.2 Circuit reference numbers relating to the illustration.

## RELATED AND ASSOCIATED PUBLICATIONS

### Related publications

15 The Octad for the subject equipment consists of the publications shown below. All references are prefixed with the first eight digits of this publication. The availability of the publications can be checked by reference to the relevant Group Index (See AESP 0100-A-001-013).

Category/Sub-category			Information Level			
			1 User/Operator	2 Unit Maintenance	3 Field Maintenance	4 Base Maintenance
1	0	Purpose and Planning Information	101	101	*	*
	1	Equipment Support Policy Directive	111	111	*	*
2	0	Operating Information	201	201	*	*
	1	Aide Memoire	*	*	*	*
2	2	Training Aids	*	*	*	*
	3	Technical Description	201	302	302	302
4	1	Installation Instructions	*	*	*	*
	2	Preparation for Special Environments	*	*	*	*
5	1	Failure Diagnosis	201	522	522	522
	2	Maintenance Instructions	201	522	522	522
	3	Inspection Standards	*	532	532	532
	4	Calibration Procedures	*	*	*	*
6		Maintenance Schedules	*	*	*	*
7	1	Illustrated Parts Catalogues	711	711	711	711
	2	Commercial Parts Lists	*	*	*	*
	3	Complete Equipment Schedule, Production	*	*	*	*
	4	Complete Equipment Schedule, Service Edition (Simple Equipment)	*	*	*	*
	5	Complete Equipment Schedule, Service Edition (Complex Equipment)	*	*	*	*
8	1	Modification Instructions	*	*	*	*
	2	General Instructions, Special Technical Instructions and Servicing Instructions	*	*	*	*
	3	Service Engineered Modification Instructions (RAF only)	*	*	*	*

\*Category/sub-category not published.

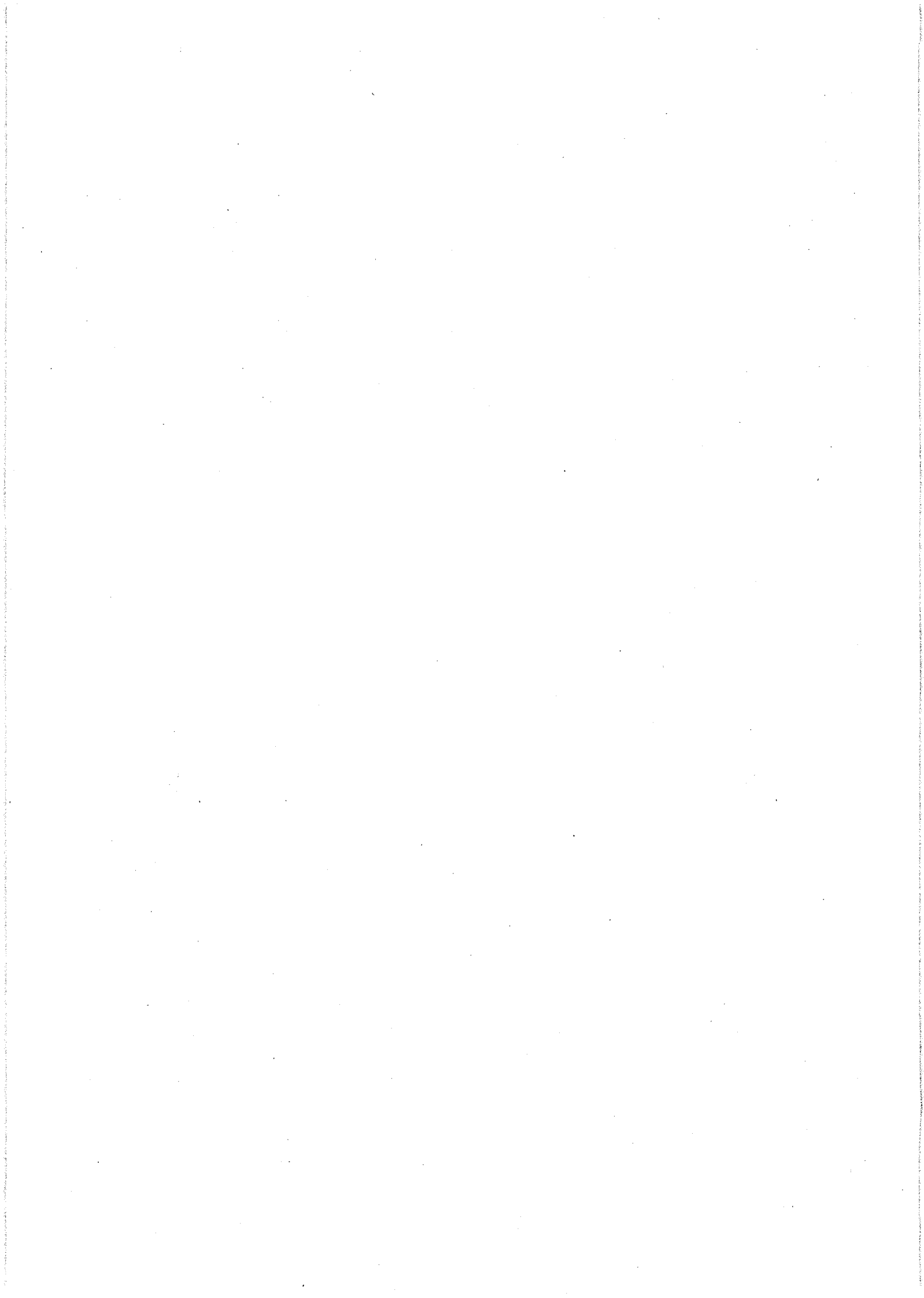
### Associated publications

16 There are no associated publications for this Category.



**LIST OF ABBREVIATIONS**

<b>Abbreviation</b>	<b>Definition</b>
AESP	Army Equipment Support Publication
Amdt	Amendment
AR	As required
Assy	Assembly
BA	British Association
cd	cadmium
contd	continued
dia	diameter
DMC	Domestic Management Code
dr	drive
Dwg	Drawing
Fig	Figure
fill	fillister
hd	head
in.	inch(es)
IPC	Illustrated Parts Catalogue
lg	long
Mk	Mark
Mod	Modification
NATO	North Atlantic Treaty Organisation
NI	Not Illustrated
No.	Number
nom	nominal
NP	Not Provisioned
NSCM	NATO Supply Code for Manufacturers
NSN	NATO Stock Number
o/a	over all
od	outside diameter
phos	phosphated
pl	plated
rd	round
Ref	Reference
slot	slotted
SSP	Solider Systems Programme
thk	thick
w	wide
whit	Whitworth





**CHAPTER 1**

**GENERAL INFORMATION**

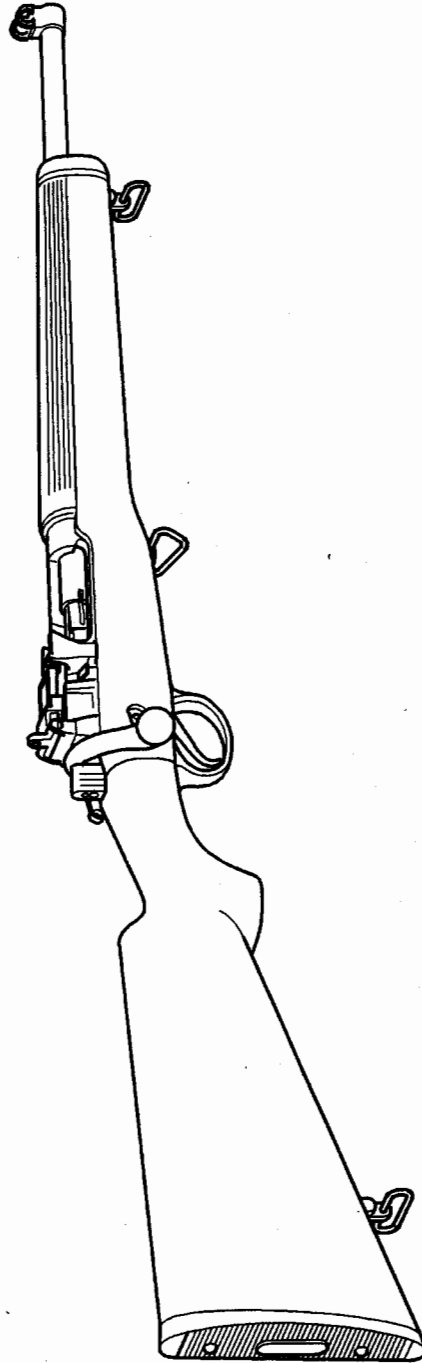
**CONTENTS**

Frontispiece .....	2
Family tree .....	3
Index of related IPCs and sub-chapters .....	4
Index of main assemblies and sub-assemblies to related IPCs or part/drawing numbers and chapter .....	5
Index of illustration to chapter and figure numbers .....	6

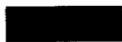




FRONTISPIECE



Rifle .22 in. No.8 Mk 1



**FAMILY TREE  
(PUBLICATION/CHAPTER PLAN)**

**Not issued**

## INDEX OF RELATED IPCS AND SUB-CHAPTERS

Chap Plan No.	Chap 2 Sub-Chap No.	Item Name and (if applicable) Related IPC Reference No.	Part No./ Drawing No.	DMC Army	NATO Stock No.
-	2-1	RIFLE .22 in. No.8 Mk 1 (long butt)	CR35GA		NP
-	2-1	RIFLE .22 in. No.8 Mk 1 (normal butt)	CR36GA	NUM8	1005-99-961-9009
-	2-1	RIFLE .22 in. No.8 Mk 1 (short butt)	CR37GA		NP

**INDEX OF MAIN ASSEMBLIES AND SUB-ASSEMBLIES  
TO  
RELATED IPCS OR PART/DRAWING NUMBERS AND CHAPTER**

Item	Drawing No.	Chapter
RIFLE, LONG BUTT, .22 IN., NO.8, MK 1	CR35GA	
RIFLE, NORMAL BUTT, .22 IN., NO.8, MK 1	CR36GA	
RIFLE, SHORT BUTT, .22 IN., NO.8, MK 1	CR37GA	
SIGHT, REAR	CR33A	
BODY	CR72A	
BOLT, BREECH, NO.1	CR60A	
BOLT, BREECH, NO.2	CR59A	
BOLT, BREECH, NO.3	CR58A	
BOLT, BREECH, NO.4	CR57A	
BOLT, BREECH, NO.5	CR56A	
BOLT, BREECH, NO.6	CR55A	
BOLT, BREECH, NO.7	CR54A	
BOLT, BREECH, NO.8	CR53A	
TRIGGER MECHANISM	CR38A	
STOCK BUTT, LONG	CR62A	
STOCK BUTT, NORMAL	CR63A	
STOCK BUTT, SHORT	CR64A	

INDEX OF ILLUSTRATION  
TO  
CHAPTER AND FIGURE NUMBERS

Item	Chapter	Figure
RIFLE, .22 IN., NO.8, MK 1	2-1	1
SIGHT, REAR	2-1	2
BODY	2-1	3
BREECH BOLT NOS.1 TO 8	2-1	4
TRIGGER MECHANISM AND GUARD	2-1	5
BUTT, STOCK	2-1	6





**CHAPTER 2**

**PARTS LIST**

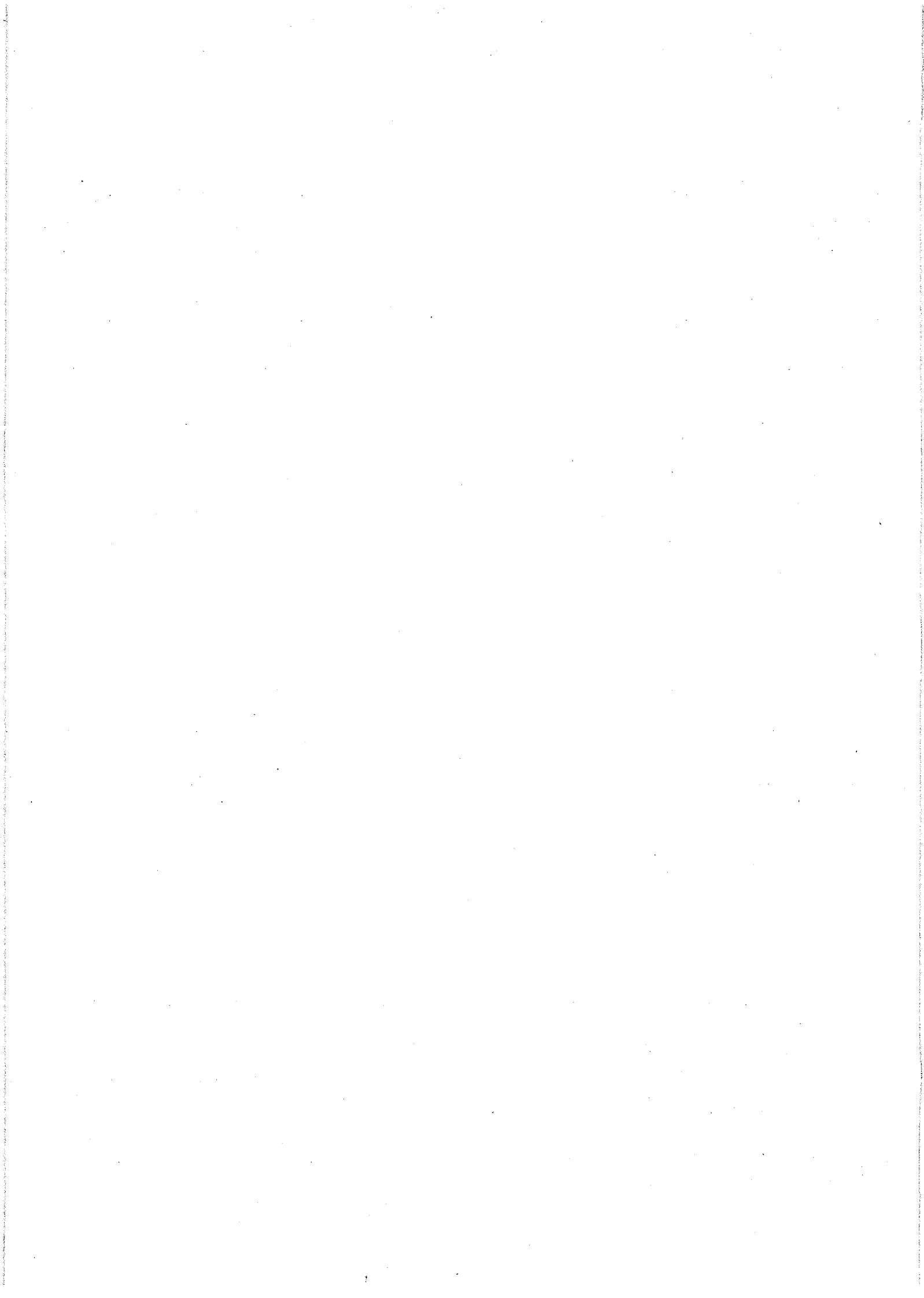
**CONTENTS**

	Page
Record of modifications .....	3/4

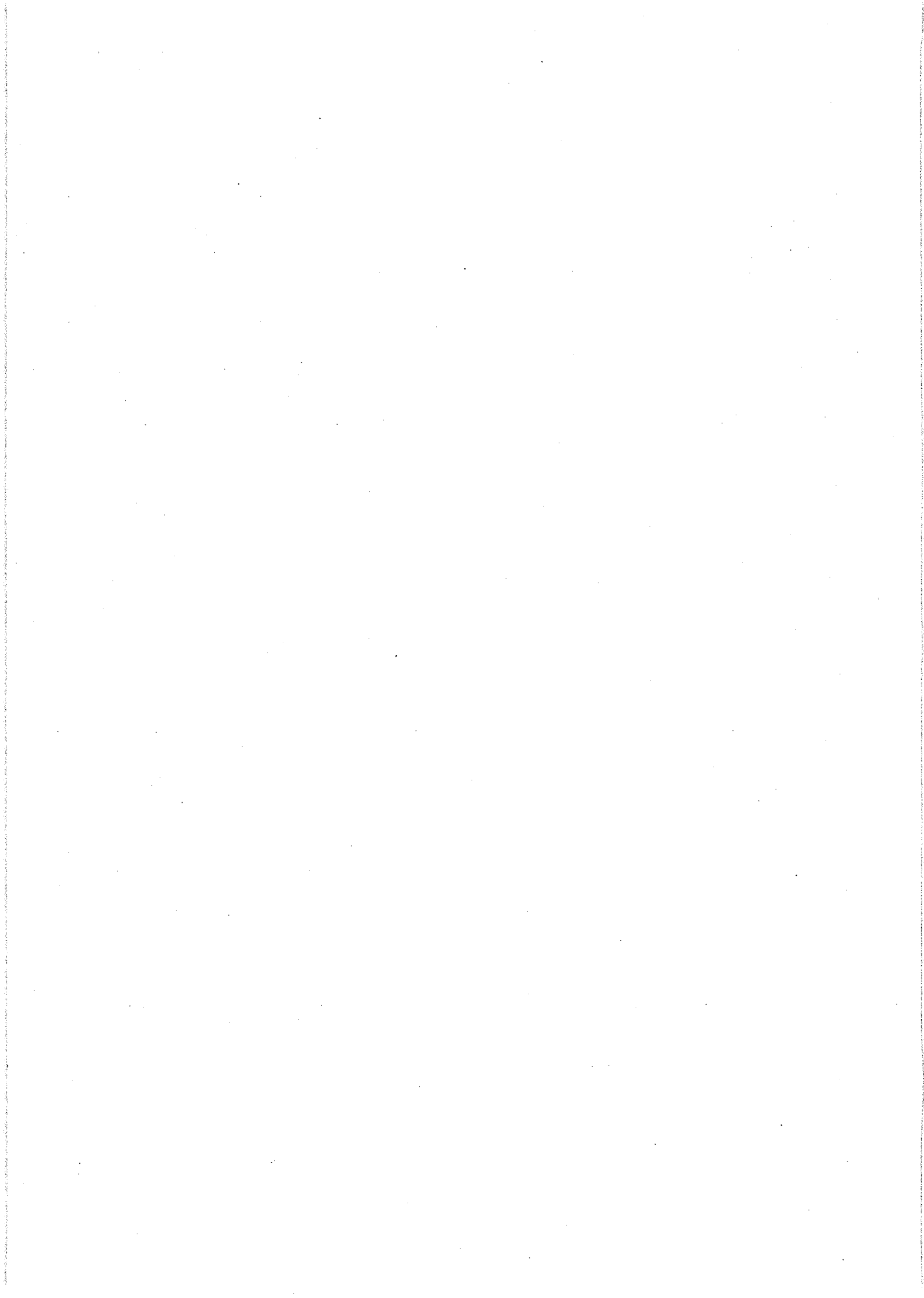
Chapter

2-1 Rifle, .22in., No.8, Mk 1, (Long, normal and short butt)











1  
↓

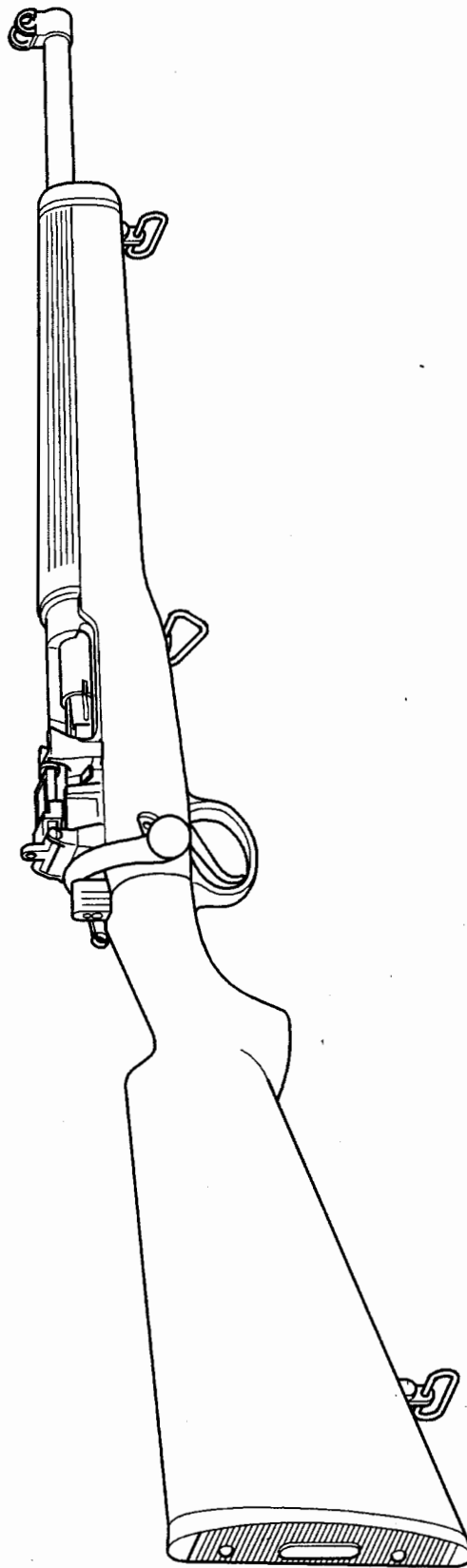


Fig 1 Rifle .22 in. No.8 Mk 1

**PARTS LIST**

Fig 1 Item	DMC Army	NATO stock number	Item name	Part No./ Dwg No.	No. off	Annotation (NSCM)
1A		NP	RIFLE .22 in. No.8 Mk 1 (long butt)	CR35GA	1	(U1515)
1B	NUM8	1005-99-961-9009	RIFLE .22 in. No.8 Mk 1 (normal butt)	CR36GA	1	(U1515)
1C		NP	RIFLE .22 in. No.8 Mk 1 (short butt)	CR37GA	1	(U1515)

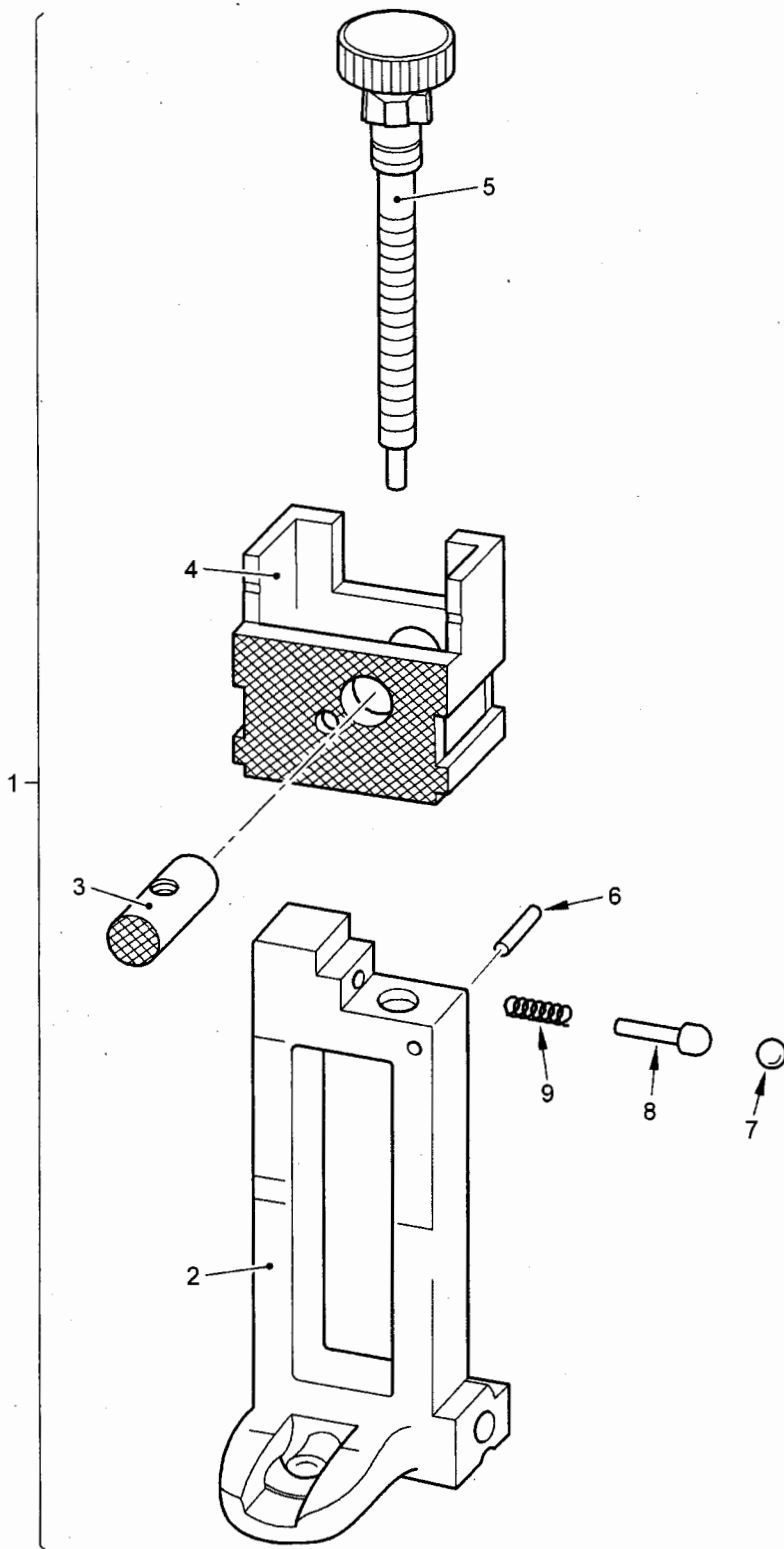


Fig 2 Sight, rear



PARTS LIST

Fig 2 Item	DMC Army	NATO stock number	Item name	Part No./ Dwg No.	No. off	Annotation (NSCM)
1	NUM8	1005-99-961-8900	SIGHT, REAR	CR33A	1	(U1515)
2	NUM8	1005-99-961-8903	• SCALE, REAR SIGHT	CR313	1	
3	5310	5310-99-961-8362	• NUT, PLAIN, BARREL	CR314	1	
4	NUM8	1005-99-961-8018	• SLIDE, REAR SIGHT	CR318	1	
5	NUM8	1005-99-128-3276	• SCREW, ADJUSTING BACKSIGHT steel, whit form, phos, knurled hd, 1/8 in. x 1 3/4 in. lg	CR317	1	
6	NUM8	5315-99-961-8339	• PIN, STRAIGHT, HEADLESS	CR315	1	
7	46MT7	3110-99-950-0564	• BALL BEARING, steel, 3/32 in. dia OR	RB2-381 CLASS 2	1	(U0214)
8	NUM8	1005-99-961-8032	• PLUNGER DETENT	CR316	1	
9	NUM8	1005-99-961-8246	• SPRING, HELICAL, COMPRESSION	CR502	1	

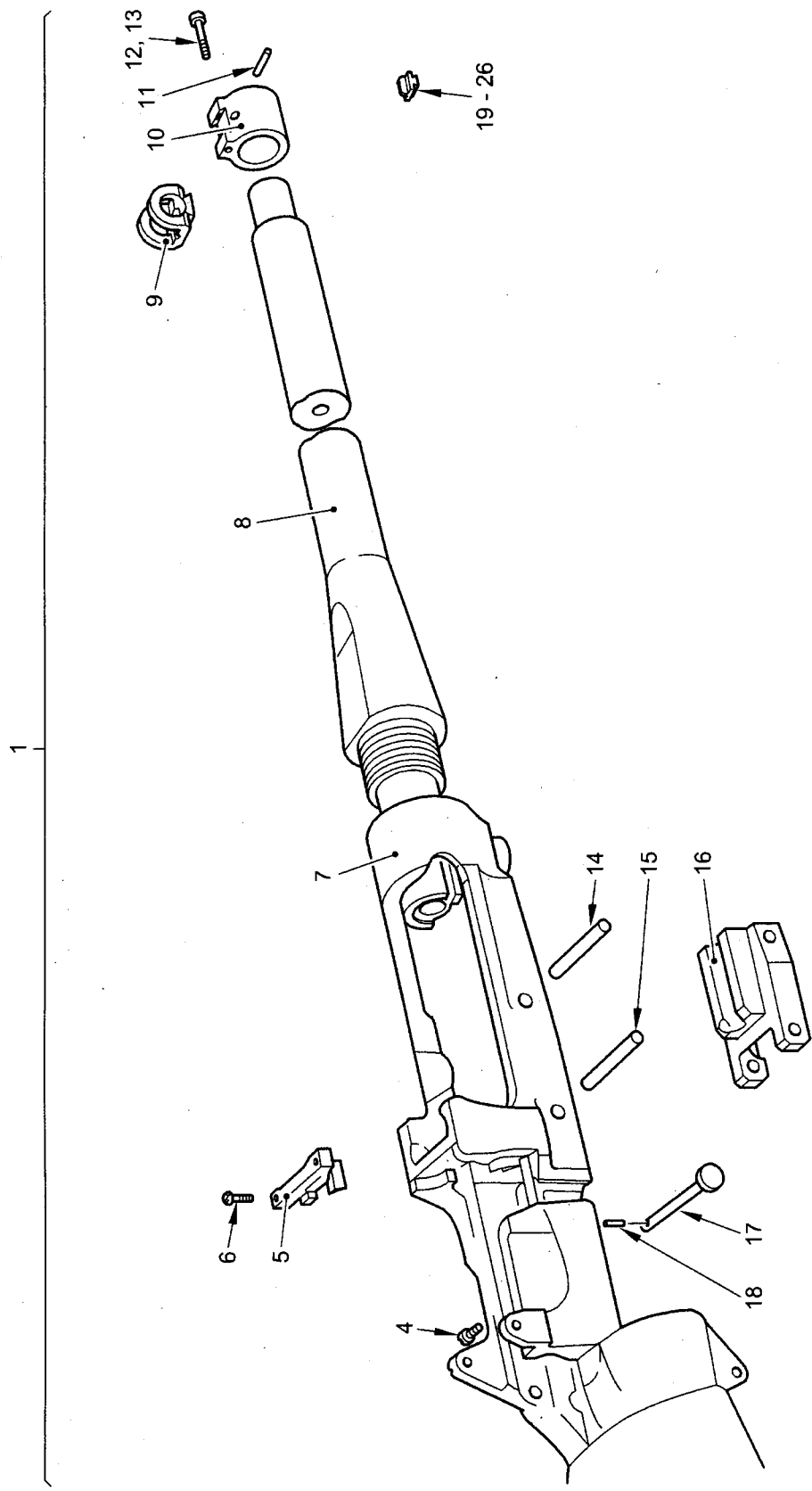


Fig 3 Body

PARTS LIST

Fig 3 Item	DMC Army	NATO stock number	Item name	Part No./ Dwg No.	No. off	Annotation (NSCM)
1			BODY, COMPLETE	REF		
NI 2		NP	• BODY	CR72A	1	
NI 3		NP	•• BODY	CR83SA	1	
4	NUM8	5305-99-128-2164	••• SCREW, MACHINE, BA, steel, phos, pan hd, slot dr, no.3 x 0.180 in.lg	CR544	1	
5		NP	••• BRIDGE	CR494	1	
6		NP	••• SCREW, MACHINE, BA, steel, fill hd, slot dr, no.6 x 0.340 in.lg	CR495	1	
7		NP	••• BODY	CR324	1	
8		NP	••• BARREL, RIFLE	CR559	1	
9	NUM8	1005-99-961-8920	••• PROTECTOR, FORESIGHT	CR557	1	
10		NP	••• FORESIGHT BAND	CR558	1	
11		NP	••• PIN, steel, no.36 (0.104) x 0.6in.lg	G2C/GB212 71	1	
12		NP	••• SCREW, MACHINE, BA, no.4 x 7/8 in.lg	BS57	1	
13	10A	5305-99-941-6856	••• SCREW, MACHINE, BA, steel, cd pl, fill hd, slot drive, no.4 x 7/8 in.lg	BS57	1	
14	NUM8	5315-99-961-8867	•• PIN, STRAIGHT, HEADLESS, steel, phos, 0.1809 in.dia x 1.230 in.lg	CR325	1	
15	NUM8	5315-99-961-8868	•• PIN, STRAIGHT, HEADLESS, steel, phos, 0.1809 in.dia x 1.330 in.lg	CR326	1	
16		NP	•• PLATFORM	CR327	1	
17	NUM8	5315-99-961-8358	• PIN, STRAIGHT, HEADED, steel, phos, 0.144 in.dia x 1.240 in.lg	CR359	1	
18	NUM8	5315-99-961-8021	• PIN, STRAIGHT, HEADLESS, steel, phos, 0.056 in.dia x 0.350 in.lg	CR360	1	
19	NUM8	1005-99-961-8137	• BLADE, FRONT SIGHT, minus 0.030 in.	CR353	AR	
20	NUM8	1005-99-961-8136	• BLADE, FRONT SIGHT, minus 0.015 in.	CR352	AR	
21	NUM8	1005-99-961-8135	• BLADE, FRONT SIGHT, '0'	CR351	AR	
22	NUM8	1005-99-961-8134	• BLADE, FRONT SIGHT, 0.015 in.	CR350	AR	
23	NUM8	1005-99-961-8133	• BLADE, FRONT SIGHT, 0.030 in.	CR349	AR	
24	NUM8	1005-99-961-8132	• BLADE, FRONT SIGHT, 0.045 in.	CR348	AR	
25	NUM8	1005-99-961-8131	• BLADE, FRONT SIGHT, 0.060 in.	CR347	AR	
26	NUM8	1005-99-961-8130	• BLADE, FRONT SIGHT, 0.075 in.	CR346	AR	

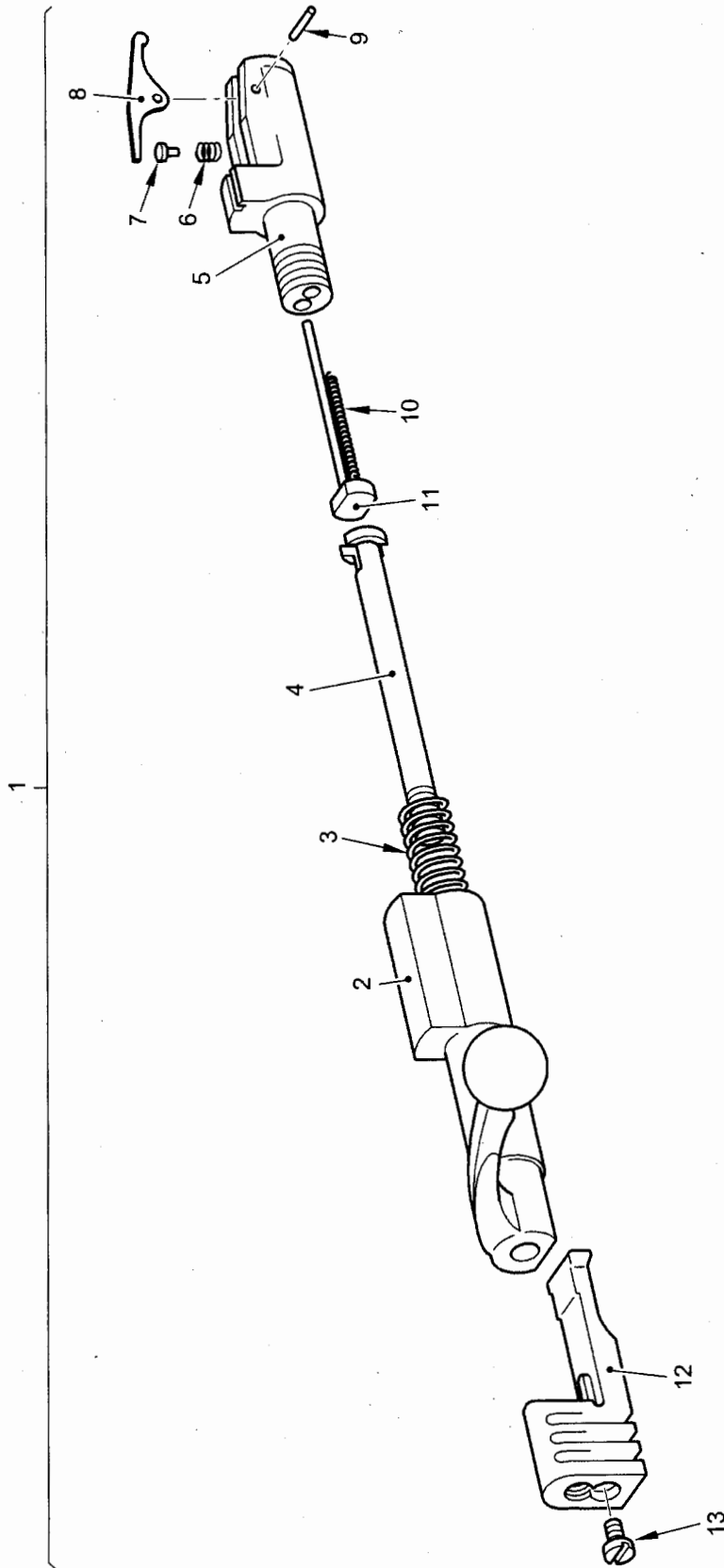


Fig 4 Breech bolt Nos.1 to 8

**PARTS LIST**

Fig 4 Item	DMC Army	NATO stock number	Item name	Part No./ Dwg No.	No. off	Annotation (NSCM)
1(1)		NP	BREECH BOLT – NO.1	CR60A	1	
1(2)		NP	BREECH BOLT – NO.2	CR59A	1	
1(3)		NP	BREECH BOLT – NO.3	CR58A	1	
1(4)		NP	BREECH BOLT – NO.4	CR57A	1	
1(5)		NP	BREECH BOLT – NO.5	CR56A	1	
1(6)		NP	BREECH BOLT – NO.6	CR55A	1	
1(7)		NP	BREECH BOLT – NO.7	CR54A	1	
1(8)		NP	BREECH BOLT – NO.8	CR53A	1	
2	NUM8	1005-99-128-5072	• BOLT, BREECH, steel, phos, 3.300 in.o/a lg	CR328	1	
3	NUM8	1005-99-961-9089	• SPRING, HELICAL, COMPRESSION, steel, phos, 31 active coils, 0.358 in.od x 3.570 in.lg	CR331	1	
4	NUM8	1005-99-961-8906	• STRIKER	CR332	1	
5(1)	NUM8	1005-99-961-8917	• HEAD, BREECH BOLT, no.1	CR397	1	
5(2)	NUM8	1005-99-961-8916	• HEAD, BREECH BOLT, no.2	CR396	1	
5(3)	NUM8	1005-99-961-8915	• HEAD, BREECH BOLT, no.3	CR395	1	
5(4)	NUM8	1005-99-961-8914	• HEAD, BREECH BOLT, no.4	CR394	1	
5(5)	NUM8	1005-99-961-8913	• HEAD, BREECH BOLT, no.5	CR393	1	
5(6)	NUM8	1005-99-961-8912	• HEAD, BREECH BOLT, no.6	CR392	1	
5(7)	NUM8	1005-99-961-8911	• HEAD, BREECH BOLT, no.7	CR391	1	
5(8)	NUM8	1005-99-961-8910	• HEAD, BREECH BOLT, no.8	CR390	1	
6	NUM8	1005-99-961-9090	• SPRING, HELICAL, COMPRESSION, steel, phos, 5 ½ active coils, 0.142 in.od x 0.315 in.lg	CR337	1	
7	NUM8	1005-99-961-8907	• PLUNGER, CARTRIDGE EXTRACTOR	CR336	1	
8	NUM8	1005-99-961-8957	• EXTRACTOR, CARTRIDGE	CR333	1	
9	NUM8	5315-99-961-8869	• PIN, STRAIGHT, HEADLESS, steel, phos, 0.0998 in.dia x 0.320 in.lg	CR335	1	
10	NUM8	1005-99-961-9088	• SPRING, HELICAL, COMPRESSION, steel, phos, 15 active coils, 0.118 in.od x 1.050 in.lg	CR339	1	
11	NUM8	1005-99-961-8918	• PIN, FIRING	CR543	1	
12	NUM8	1005-99-961-8921	• COCKING PIECE, STRIKER	CR942	1	
13	NUM8	5305-99-128-2163	• SCREW, MACHINE, BA, steel, phos, fill hd, slot drive, no.4 x 0.240 in.lg	CR330	1	

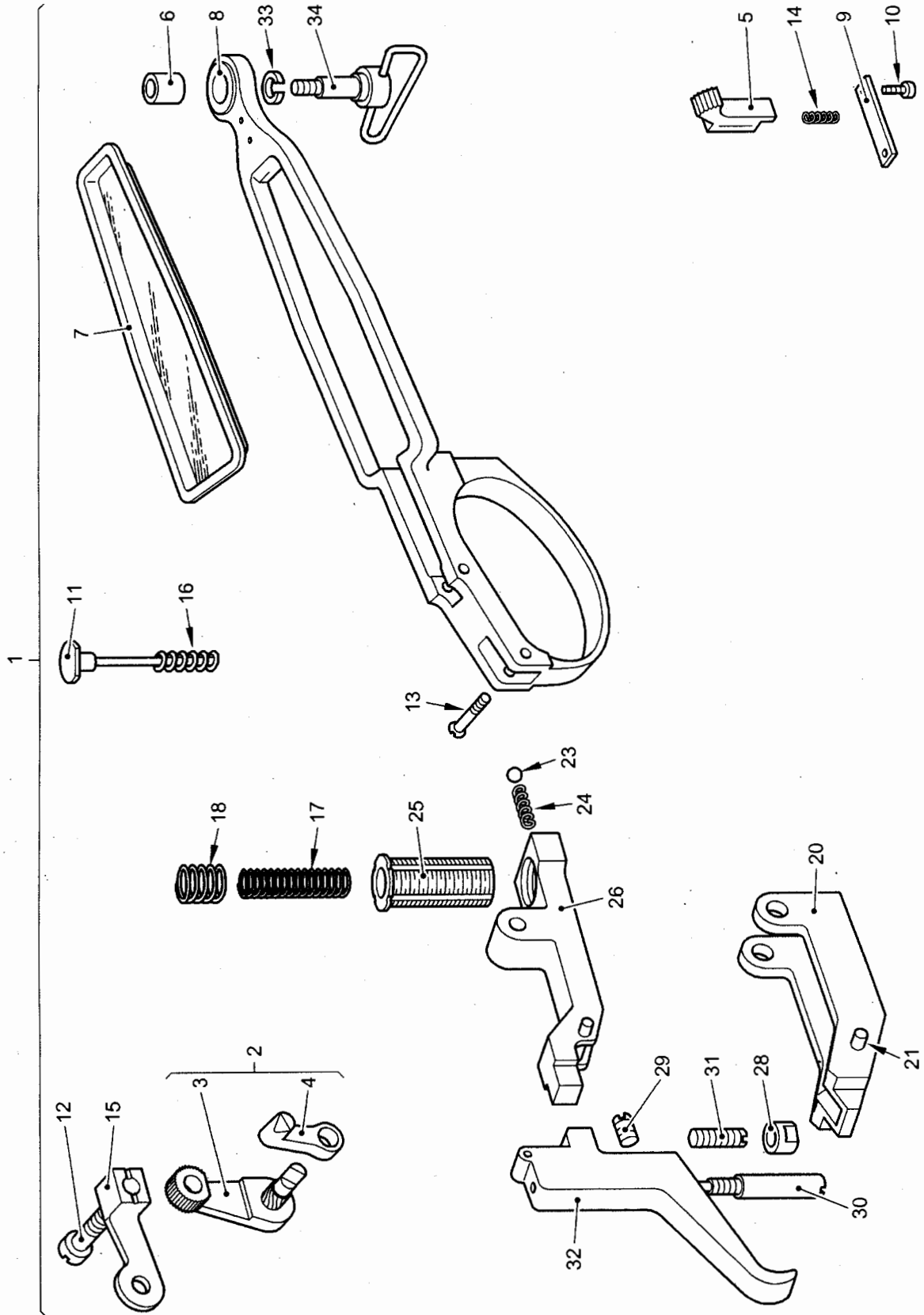


Fig 5 Trigger mechanism and guard

PARTS LIST

Fig 5 Item	DMC Army	NATO stock number	Item name	Part No./ Dwg No.	No. off	Annotation (NSCM)
1			TRIGGER MECHANISM AND GUARD	REF	1	
2	NUM8	1005-99-128-6142	• SAFETY, SMALL ARMS, steel, 1.370 in.o/a lg	CR63SA	1	
3		1005-99-128-5044	• • LEVER, ACTUATING, SAFETY CATCH, steel, phos, <sup>27</sup> / <sub>32</sub> in.lg x 1 <sup>3</sup> / <sub>8</sub> in.o/a w	CR340	1	REF
4		1005-99-963-3002	• • CATCH, SAFETY	CR343	1	REF
5	NUM8	1005-99-961-8020	• CATCH, BREECH BOLT	CR342	1	
6	NUM8	5365-99-961-8361	• SPACER, SLEEVE	CR344	1	
7	NUM8	1005-99-961-8908	• COVER PLATE, MAGAZINE OPENING	CR345	1	
8	NUM8	1005-99-961-8116	• GUARD, TRIGGER	DDE450-25	1	
9	NUM8	1005-99-961-8909	• PLATE, BREECH BOLT CATCH SPRING	CR361	1	
10	10A	5305-99-100-6166	• SCREW, MACHINE	BS 57	2	
11	NUM8	1005-99-961-8022	• PLUNGER, DETENT	CR362	1	
12	NUM8	5305-99-128-2422	• SCREW, MACHINE, BA, steel, phos, fill hd, slot drive, no.3 x 0.320 in.lg	CR366	1	
13	NUM8	5305-99-128-2156	• SCREW, MACHINE, BA, steel, phos, oval csk hd, slot drive, no.4 x 0.890 in.lg	CR311	1	
14	NUM8	5360-99-961-8307	• SPRING, HELICAL, COMPRESSION, 8 active turns, 0.176 in.od x 0.60 in.lg	CR367	1	
15	NUM8	1005-99-961-8023	• SPRING, DETENT	CR363	1	
16	NUM8	5360-99-961-8310	• SPRING, HELICAL, COMPRESSION, steel, phos, 11 active turns, 0.486 in.od x 0.850 in.lg	CR368	1	
17	NUM8	5360-99-961-8884	• SPRING, HELICAL, COMPRESSION, steel, phos, 14 active coils, 0.314 in.od x 1.500 in.lg	CR560	1	
18	NUM8	1005-99-961-9087	• SPRING, HELICAL, COMPRESSION, steel, phos, 3 active coils, 0.050 in.od x 0.570 in.lg	CR370	1	





PARTS LIST

Fig 5 Item	DMC Army	NATO stock number	Item name	Part No./ Dwg No.	No. off	Annotation (NSCM)
1			TRIGGER MECHANISM AND GUARD (contd)	REF	1	
NI 19		NP	• TRIGGER MECHANISM	CR38A	1	
20	NUM8	1005-99-962-1763	•• CRADLE, SEAR,	CR377	1	
21	NUM8	5315-99-961-8932	•• PIN, STRAIGHT, HEADLESS, steel, phos, 0.1009 in. dia x 3/8 in. lg	CR383	1	
NI 22	NUM8	1005-99-961-8953	•• SEAR, steel, phos, 3.14 in. nom lg x 0.69 in. nom w	CR46SA	1	
23		NP	••• BALL, steel, antifriction	C3/BF10056	1	
24	NUM8	1005-99-961-8883	••• SPRING, HELICAL, COMPRESSION, steel, phos, 17 active coils, 0.110 in. od x 0.600 in. lg	CR381	1	
25	NUM8	1005-99-961-8919	••• CUP, SEAR SPRING	CR556	1	
26(1)		NP	••• SEAR	CR943	1	
26(2)		NP	OR			
			••• SEAR	CR380	1	
NI 27	NUM8	1005-99-961-8955	•• TRIGGER	CR44SA	1	
28	NUM8	5310-99-961-8931	••• NUT, PLAIN, ROUND	CR382	1	
29	NUM8	5305-99-128-2492	••• SETSCREW, BA, steel, phos, rd point, slot drive, no.4 x 0.200 in. o/a lg	CR355	1	
30	NUM8	5305-99-128-3360	••• SETSCREW, BA, steel, phos, flat hd, rd point, slot drive, no.4 x <sup>43</sup> / <sub>64</sub> in. lg	CR384	1	
31	NUM8	5305-99-128-2491	••• SETSCREW, BA, steel, phos, rd point, slot drive, no.4 x 1/2 in. o/a lg	CR385	1	
32		1005-99-961-8954	••• TRIGGER	CR386	1	REF
33	NUM8	5310-99-961-8261	• WASHER, LOCK, steel, phos, single coil, 0.25 in. id x 0.390 in. od x 0.0625 in. thk	CR387	1	
34	NUM8	1005-99-961-8952	• SWIVEL, SLING, SMALL ARMS	CR540	1	

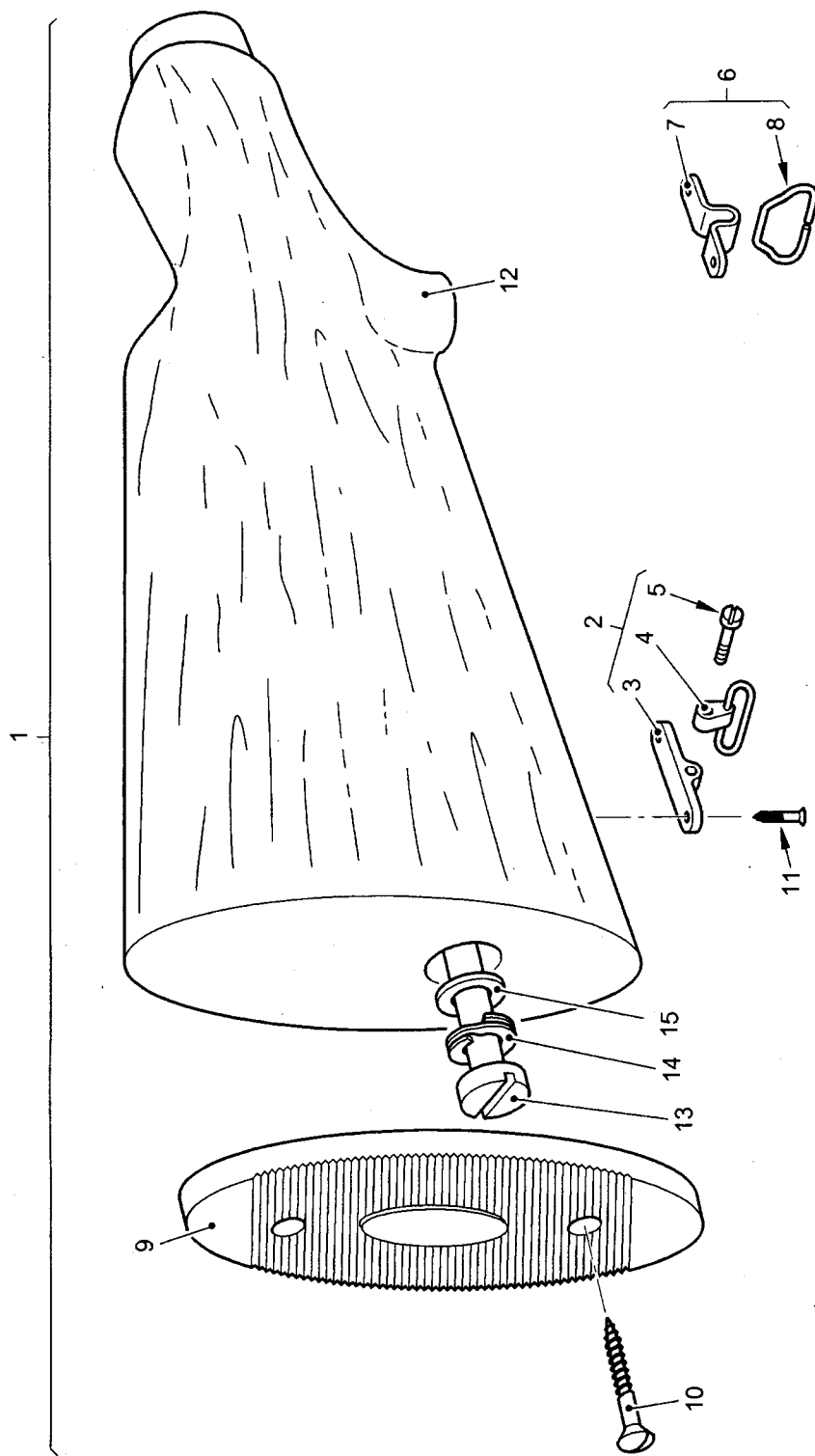


Fig 6 Butt, stock

PARTS LIST

Fig 6 Item	DMC Army	NATO stock number	Item name	Part No./ Dwg No.	No. off	Annotation (NSCM)
1(1)		NP	STOCK BUTT - LONG	CR62A	1	
1(2)		NP	STOCK BUTT - NORMAL	CR63A	1	
1(3)		NP	STOCK BUTT - SHORT	CR64A	1	
2		NP	• BRACKET	CR64SA	1	
3	NUM8	1005-99-961-8205	•• BRACKET, SLING SWIVEL	CR443	1	
4	NUM8	1005-99-961-8019	•• SWIVEL, SLING, SMALL ARMS	CR322	1	
5	NUM8	5305-99-128-2178	•• SCREW, MACHINE, steel, phos, pan hd, slot drive, no.2 x <sup>33</sup> / <sub>64</sub> in.lg	CR321	1	
6			OR • BRACKET AND SLING SWIVEL ASSEMBLY	CR65SA	1	Obsolete
7			•• BRACKET, SLING SWIVEL	CR444	1	Obsolete
8	NUM8	1005-99-961-8203	•• LOOP SLING SWIVEL	CR445	1	
9	NUM8	1005-99-961-8922	• PLATE, BUTT	CR1194	1	
10	B1	5305-99-632-2738	• WOODSCREW, steel, phos, raised hd, no.10 x 1.5 in.lg	B1/BA10296	2	
11	NUM8	5305-99-128-2588	• SCREW, WOOD, steel, phos, raised hd, no.10 x 1 in.lg	CR472	2	
12(1)	NUM8	1005-99-961-8949	• STOCK EXTENSION, GUN, long	CR511	1	
12(2)	NUM8	1005-99-961-8950	• STOCK EXTENSION, GUN, normal	CR512	1	
12(3)	NUM8	1005-99-961-8951	• STOCK EXTENSION, GUN, short	CR513	1	
13	NUM8	5305-99-123-7587	• SCREW, MACHINE	CR510	1	
14	NUM8	5310-99-961-8260	• WASHER, LOCK	CR389	1	
15	NUM8	5310-99-961-8363	• WASHER, FLAT	CR285	1	

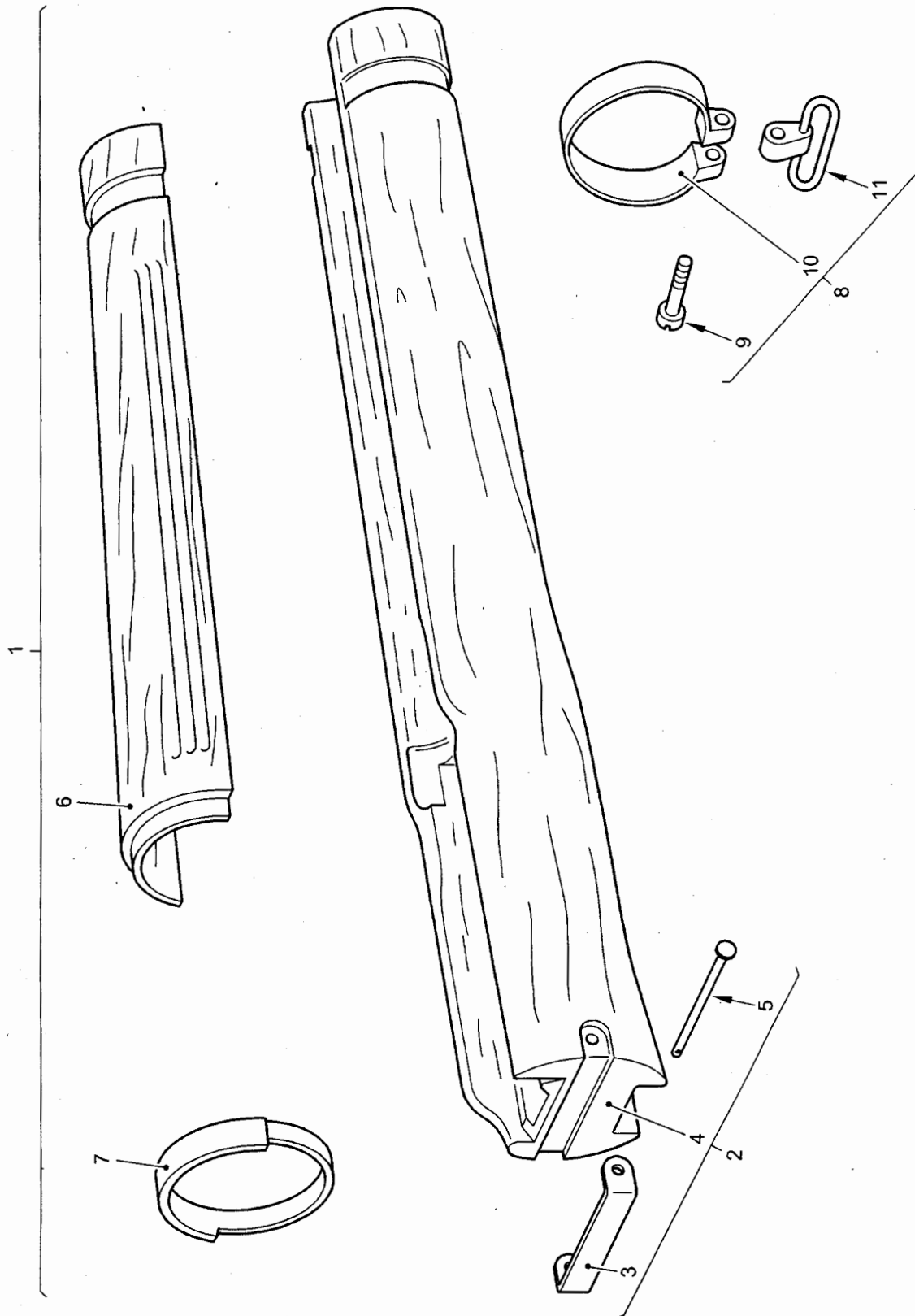
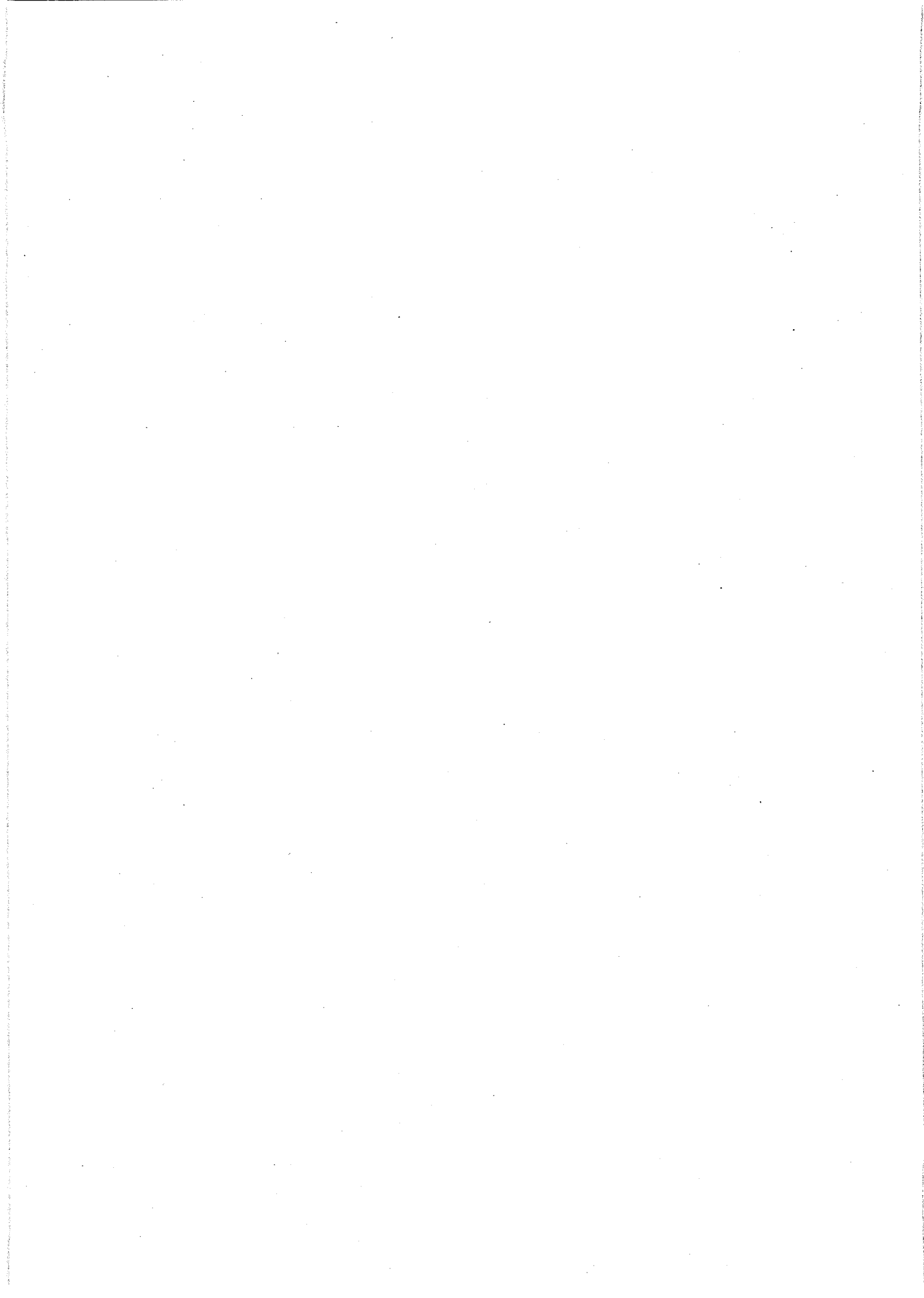


Fig 7 Fore end stock and handguard



PARTS LIST

Fig 7 Item	DMC Army	NATO stock number	Item name	Part No./ Dwg No.	No. off	Annotation (NSCM)
1			FORE END STOCK AND HANDGUARD	REF	1	
2	NUM8	1005-99-961-8956	• STOCK, FORE END, GUN	CR37A	1	
3		NP	•• TIE PLATE	CR374	1	
4		NP	•• STOCK	CR373	1	
5		NP	•• RIVET, TIE PLATE	CR375	1	
6	NUM8	1005-99-961-8958	• GUARD, HAND, GUN	CR358	1	
7	NUM8	1005-99-961-8033	• RING, RETAINING, SMALL ARMS HANDGUARD, rear	CR288	1	
8		NP	• BAND	CR41SA	1	
9	NUM8	5305-99-128-2178	•• SCREW, MACHINE, BA, steel, phos, pan hd, slot drive, no.2 x <sup>33</sup> / <sub>64</sub> in. lg	CR321	1	
10	NUM8	1005-99-961-8904	•• BAND, FORE END	CR320	1	
11	NUM8	1005-99-961-8019	•• SWIVEL, SLING, SMALL ARMS, Mk 1	CR322	1	



**CHAPTER 3**

**INDEXES**

**CONTENTS**

Para

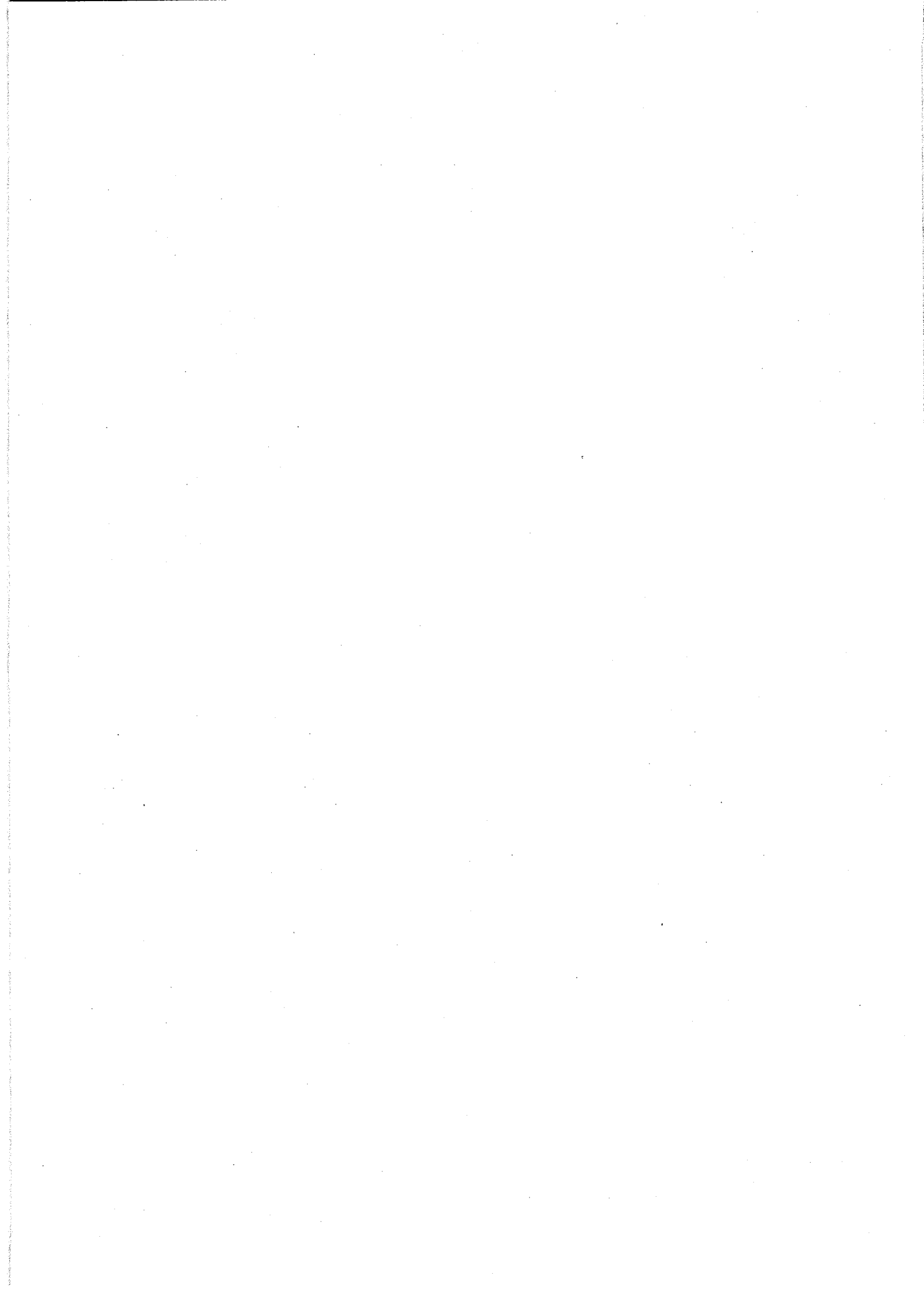
- 1 Introduction

Chapter

- 3-1 Index of NATO stock numbers to chapter, fig and item numbers
- 3-2 Index of manufacturers' part/drawing numbers to chapter, fig and item numbers
- 3-3 Index of NATO stock numbers to item names and description (not issued)
- 3-4 Index of NATO supply codes for manufacturers and manufacturers' names

**INTRODUCTION**

- 1 This chapter identifies the number of indexes provided in support of the main Parts List.







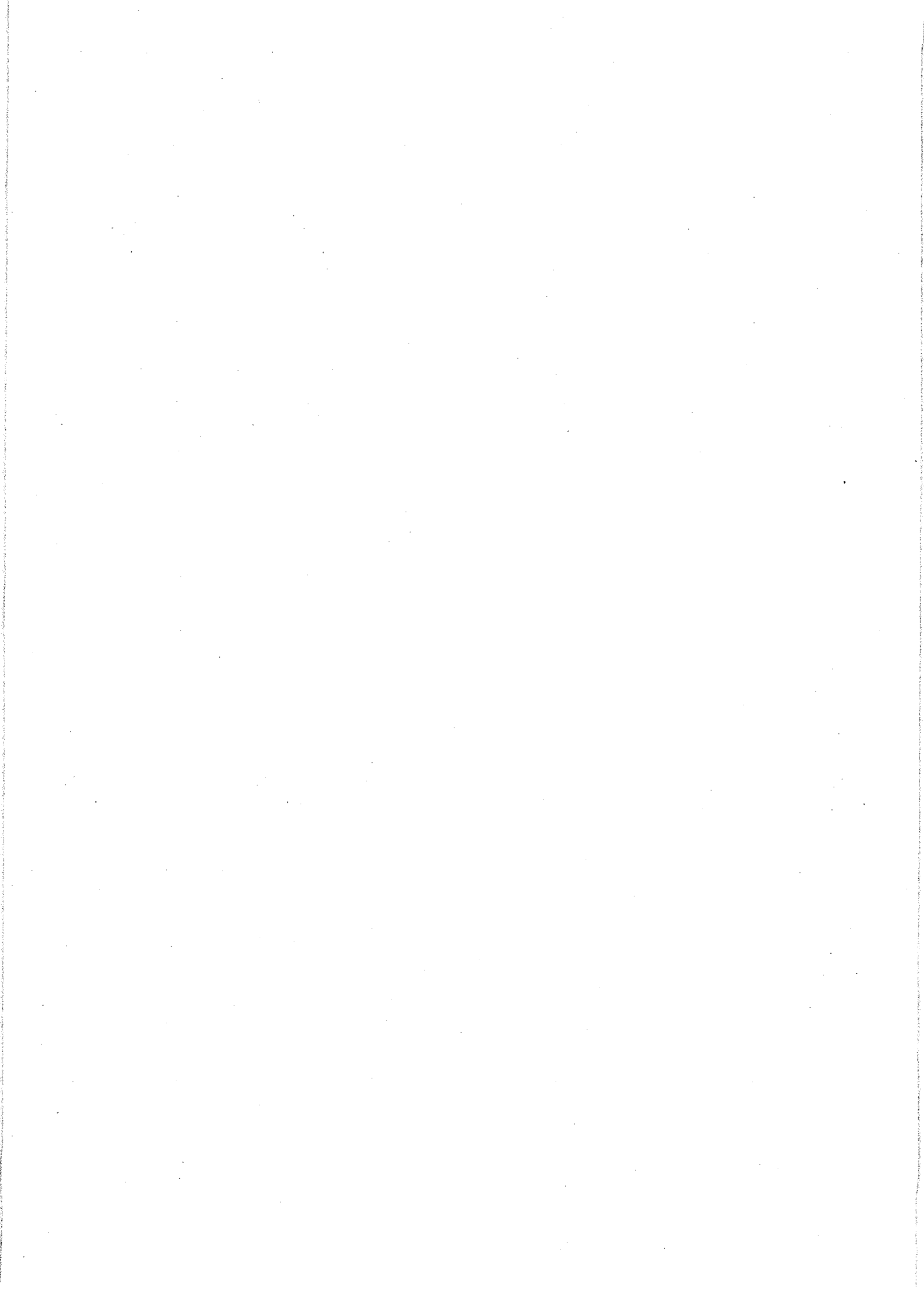
**CHAPTER 3-1**

**INDEX OF NATO STOCK NUMBERS  
TO  
CHAPTER, FIGURE AND ITEM NUMBERS**

**CONTENTS**

	Page
Index pages .....	3





**INDEX OF NATO STOCK NUMBERS  
TO  
CHAPTER, FIGURE AND ITEM NUMBERS**

NATO stock number	Chapter 2-sub-chapter	Fig & item	NATO stock number	Chapter 2-sub-chapter	Fig & item
5305-99-100-6166	1	5-10	1005-99-961-8205	1	6-3
5305-99-123-7587	1	6-13	1005-99-961-8246	1	2-9
5305-99-128-2156	1	5-13	5310-99-961-8260	1	6-14
5305-99-128-2163	1	4-13	5310-99-961-8261	1	5-33
5305-99-128-2164	1	3-4	5360-99-961-8307	1	5-14
5305-99-128-2178	1	6-5	5360-99-961-8310	1	5-16
5305-99-128-2178	1	7-9	5315-99-961-8339	1	2-6
5305-99-128-2422	1	5-12	5315-99-961-8358	1	3-17
5305-99-128-2491	1	5-31	5365-99-961-8361	1	5-6
5305-99-128-2492	1	5-29	5310-99-961-8362	1	2-3
5305-99-128-2588	1	6-11	5310-99-961-8363	1	6-15
1005-99-128-3276	1	2-5	5315-99-961-8867	1	3-14
5305-99-128-3360	1	5-30	5315-99-961-8868	1	3-15
1005-99-128-5044	1	5-3	5315-99-961-8869	1	4-9
1005-99-128-5072	1	4-2	1005-99-961-8883	1	5-24
1005-99-128-6142	1	5-2	5360-99-961-8884	1	5-17
5305-99-632-2738	1	6-10	1005-99-961-8900	1	2-1
5305-99-941-6856	1	3-13	1005-99-961-8903	1	2-2
3110-99-950-0564	1	2-7	1005-99-961-8904	1	7-10
1005-99-961-8018	1	2-4	1005-99-961-8906	1	4-4
1005-99-961-8019	1	6-4	1005-99-961-8907	1	4-7
1005-99-961-8019	1	7-11	1005-99-961-8908	1	5-7
1005-99-961-8020	1	5-5	1005-99-961-8909	1	5-9
5315-99-961-8021	1	3-18	1005-99-961-8910	1	4-5(8)
1005-99-961-8022	1	5-11	1005-99-961-8911	1	4-5(7)
1005-99-961-8023	1	5-15	1005-99-961-8912	1	4-5(6)
1005-99-961-8032	1	2-8	1005-99-961-8913	1	4-5(5)
1005-99-961-8033	1	7-7	1005-99-961-8914	1	4-5(4)
1005-99-961-8116	1	5-8	1005-99-961-8915	1	4-5(3)
1005-99-961-8130	1	3-26	1005-99-961-8916	1	4-5(2)
1005-99-961-8131	1	3-25	1005-99-961-8917	1	4-5(1)
1005-99-961-8132	1	3-24	1005-99-961-8918	1	4-11
1005-99-961-8133	1	3-23	1005-99-961-8919	1	5-25
1005-99-961-8134	1	3-22	1005-99-961-8920	1	3-9
1005-99-961-8135	1	3-21	1005-99-961-8921	1	4-12
1005-99-961-8136	1	3-20	1005-99-961-8922	1	6-9
1005-99-961-8137	1	3-19	5310-99-961-8931	1	5-28
1005-99-961-8203	1	6-8	5315-99-961-8932	1	5-21

INDEX OF NATO STOCK NUMBERS  
TO  
CHAPTER, FIGURE AND ITEM NUMBERS

NATO stock number	Chapter 2-sub-chapter	Fig & item	NATO stock number	Chapter 2-sub-chapter	Fig & item
1005-99-961-8949	1	6-12(1)			
1005-99-961-8950	1	6-12(2)			
1005-99-961-8951	1	6-12(3)			
1005-99-961-8952	1	5-34			
1005-99-961-8953	1	5-22			
1005-99-961-8954	1	5-32			
1005-99-961-8955	1	5-27			
1005-99-961-8956	1	7-2			
1005-99-961-8957	1	4-8			
1005-99-961-8958	1	7-6			
1005-99-961-9009	1	1-1B			
1005-99-961-9087	1	5-18			
1005-99-961-9088	1	4-10			
1005-99-961-9089	1	4-3			
1005-99-961-9090	1	4-6			
1005-99-962-1763	1	5-20			
1005-99-963-3002	1	5-4			



**CHAPTER 3-2**

**INDEX OF MANUFACTURERS' PART/DRAWING NUMBERS**

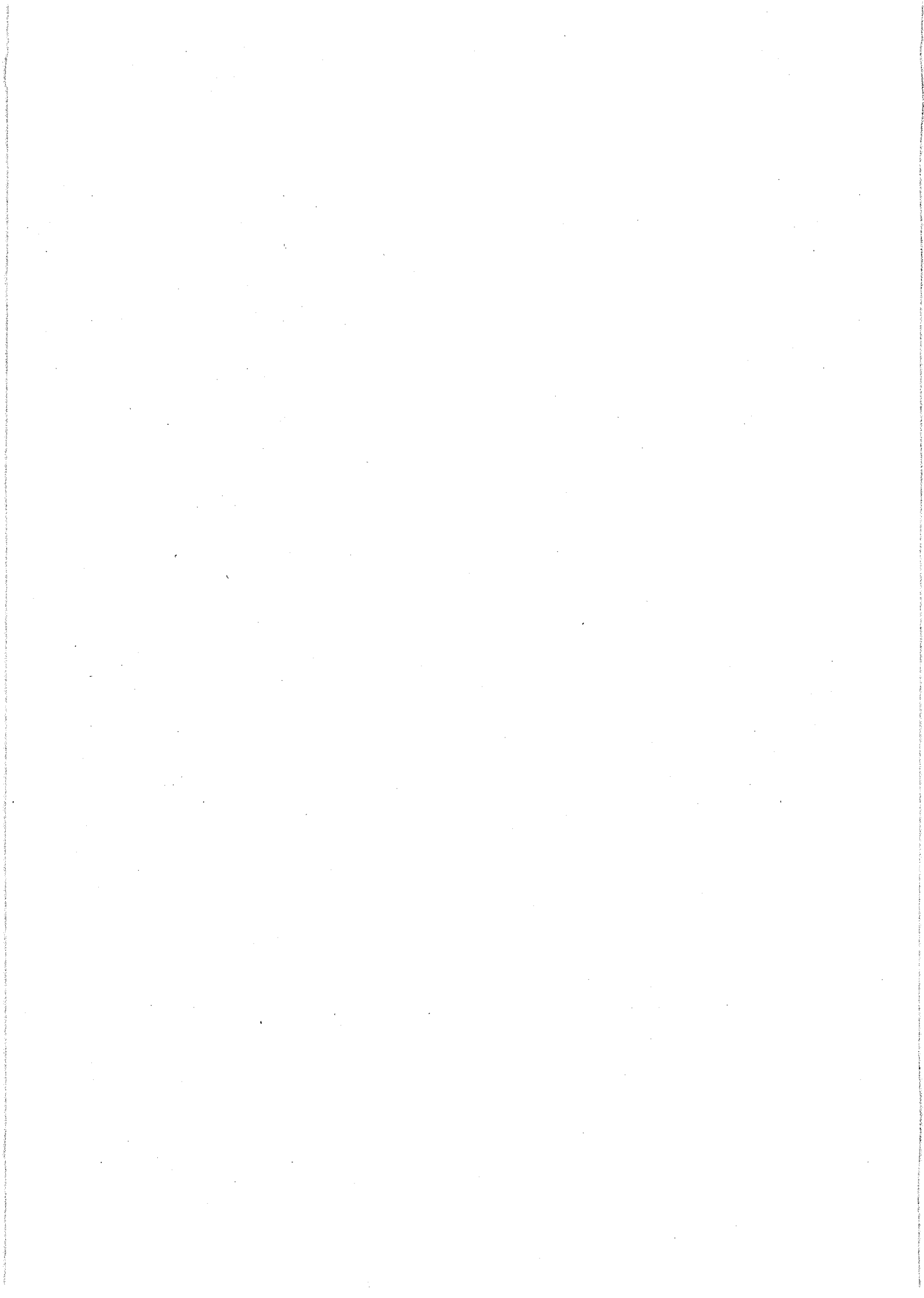
**TO**

**CHAPTER, FIGURE AND ITEM NUMBERS**

**CONTENTS**

	Page
Index pages .....	3





**INDEX OF MANUFACTURERS' PART/DRAWING NUMBER  
TO  
CHAPTER, FIGURE AND ITEM NUMBERS**

<b>Manufacturers part or dwg no.</b>	<b>Chapter 2-sub-chapter</b>	<b>Fig &amp; item</b>	<b>Manufacturers part or dwg no.</b>	<b>Chapter 2-sub-chapter</b>	<b>Fig &amp; item</b>
B1/BA10296	1	6-10	CR344	1	5-6
BS 57	1	5-10	CR345	1	5-7
BS57	1	3-12	CR346	1	3-26
BS57	1	3-13	CR347	1	3-25
C3/BF10056	1	5-23	CR348	1	3-24
CR1194	1	6-9	CR349	1	3-23
CR285	1	6-15	CR350	1	3-22
CR288	1	7-7	CR351	1	3-21
CR311	1	5-13	CR352	1	3-20
CR313	1	2-2	CR353	1	3-19
CR314	1	2-3	CR355	1	5-29
CR315	1	2-4	CR358	1	7-6
CR316	1	2-5	CR359	1	3-17
CR317	1	2-7	CR35GA	1	1-1A
CR318	1	2-8	CR360	1	3-18
CR320	1	7-10	CR361	1	5-9
CR321	1	6-5	CR362	1	5-11
CR321	1	7-9	CR363	1	5-15
CR322	1	6-4	CR366	1	5-12
CR322	1	7-11	CR367	1	5-14
CR324	1	3-7	CR368	1	5-16
CR325	1	3-14	CR36GA	1	1-1B
CR326	1	3-15	CR370	1	5-18
CR327	1	3-16	CR373	1	7-4
CR328	1	4-2	CR374	1	7-3
CR330	1	4-13	CR375	1	7-5
CR331	1	4-3	CR377	1	5-20
CR332	1	4-4	CR37A	1	7-2
CR333	1	4-8	CR37GA	1	1-1C
CR335	1	4-9	CR380	1	5-26(2)
CR336	1	4-7	CR381	1	5-24
CR337	1	4-6	CR382	1	5-28
CR339	1	4-10	CR383	1	5-21
CR33A	1	2-1	CR384	1	5-30
CR340	1	5-3	CR385	1	5-31
CR342	1	5-5	CR386	1	5-32
CR343	1	5-4	CR387	1	5-33

**INDEX OF MANUFACTURERS' PART/DRAWING NUMBER  
TO  
CHAPTER, FIGURE AND ITEM NUMBERS**

Manufacturers part or dwg no.	Chapter 2-sub-chapter	Fig & item	Manufacturers part or dwg no.	Chapter 2-sub-chapter	Fig & item
CR389	1	6-14	CR58A	1	4-1(3)
CR38A	1	5-19	CR59A	1	4-1(2)
CR390	1	4-5(8)	CR60A	1	4-1(1)
CR391	1	4-5(7)	CR62A	1	6-1(1)
CR392	1	4-5(6)	CR63A	1	6-1(2)
CR393	1	4-5(5)	CR63SA	1	5-2
CR394	1	4-5(4)	CR64A	1	6-1(3)
CR395	1	4-5(3)	CR64SA	1	6-2
CR396	1	4-5(2)	CR65SA	1	6-6
CR397	1	4-5(1)	CR72A	1	3-2
CR41SA	1	7-8	CR83SA	1	3-3
CR443	1	6-3	CR942	1	4-12
CR444	1	6-7	CR943	1	5-26(1)
CR445	1	6-8	DDE450-25	1	5-8
CR44SA	1	5-27	G2C/GB21271	1	3-11
CR46SA	1	5-22	RB2-381 CLS 2	1	2-6
CR472	1	6-11			
CR494	1	3-5			
CR495	1	3-6			
CR502	1	2-9			
CR510	1	6-13			
CR511	1	6-12(1)			
CR512	1	6-12(2)			
CR513	1	6-12(3)			
CR53A	1	4-1(8)			
CR540	1	5-34			
CR543	1	4-11			
CR544	1	3-4			
CR54A	1	4-1(7)			
CR556	1	5-25			
CR557	1	3-9			
CR558	1	3-10			
CR559	1	3-8			
CR55A	1	4-1(6)			
CR560	1	5-17			
CR56A	1	4-1(5)			
CR57A	1	4-1(4)			





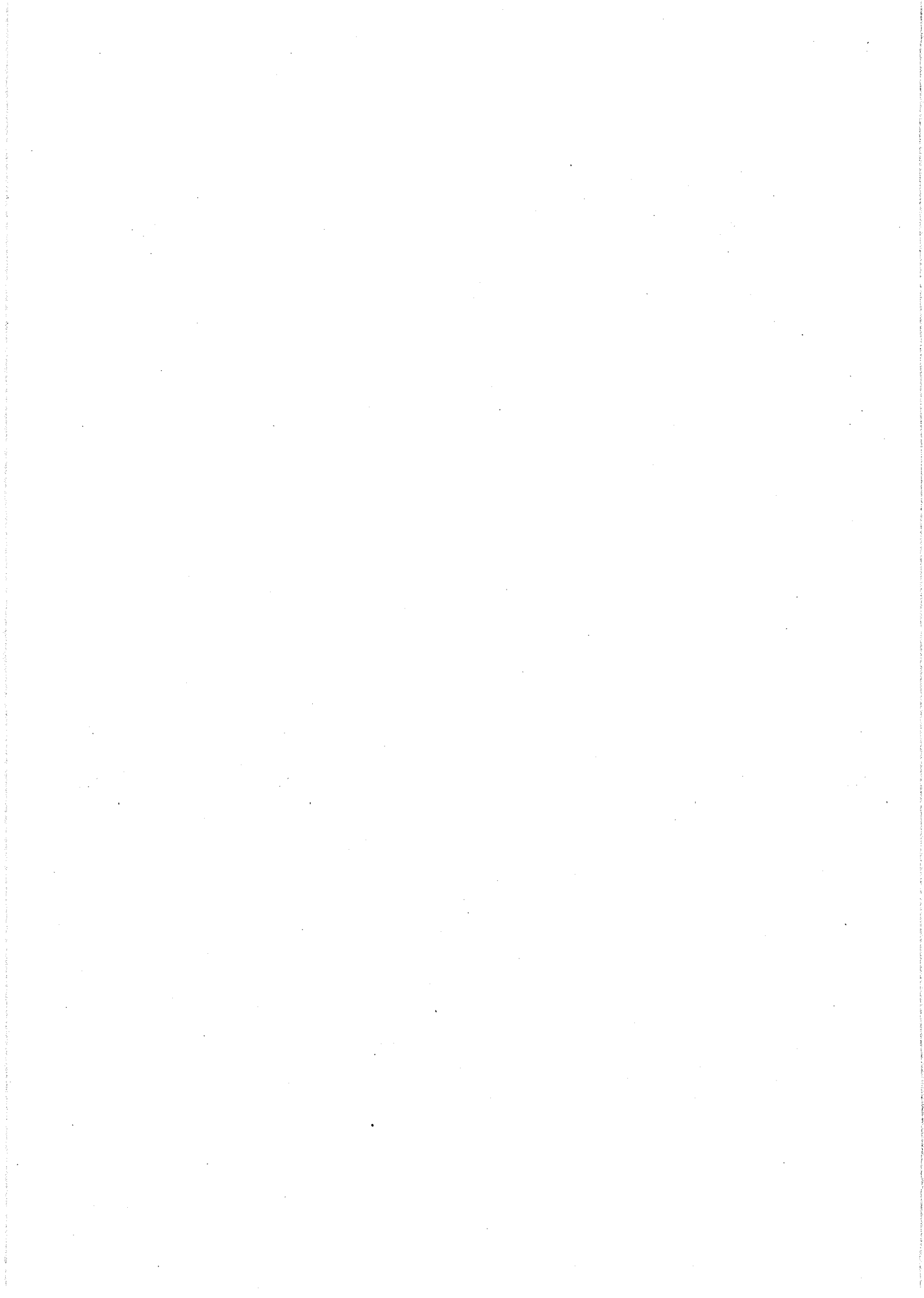
**CHAPTER 3-4**

**INDEX OF NATO SUPPLY CODE FOR MANUFACTURERS  
TO  
MANUFACTURERS' NAMES**

**CONTENTS**

	Page
Index pages .....	3/4







INDEX OF NATO SUPPLY CODE FOR MANUFACTURERS  
TO  
MANUFACTURERS' NAMES

NSCM	Manufacturer	NSCM	Manufacturer
[REDACTED]	[REDACTED]		
[REDACTED]	[REDACTED]		
[REDACTED]	[REDACTED]		

