

CODE
3113

CODE PISREVTWOA

RESTRICTED

The information given in this document is not to be communicated, either directly or indirectly, to the Press or to any person not authorized to receive it.

**IDENTIFICATION LIST
FOR
PISTOL, REVOLVER, No. 2,
MARKS 1, 1* and 1****

**1947
SECTION B.I.**

APRIL 1947.
THE WAR OFFICE
E.B. 954.

By Command of the Army Council

Eric B.B. Reed.

- 1 -
PREFACE

This list has the principal parts of the equipment arranged alphabetically, the components of these parts being shown indented under their appropriate heading.

Each item is identified by a designation (i.e. the noun and any other words on the same line) and a catalogue number.

All items indented under an assembly or sub-assembly designation, are to be regarded as integral parts of the assembly etc.

Every item and assembly is shown in the text, and each is given a plate reference number. The numbers which do not appear on the plates are indicated thus $\frac{1}{2}$.

The equipment is divided into a number of groups each capable of being dealt with on one page of the text. To each of these groups an identification letter is allotted. The key plate facing page IV displays these letters with arrows indicating the various groups

The Section Letter and number indicated against all Catalogue numbers denotes the issuing section e.g. B1/BB 7672 = V.A.O.S. Section B1 Catalogue BB 7672.

Items provided for normal maintenance and held in Ordnance stores for issue, are indicated thus %

Note - All dimensions are in inches except where otherwise stated.

INSTRUCTIONS WHEN SUBMITTING INDENTS AND DEMANDS

1. Identify part required by its designation in column 2, and note its catalogue number in column 3.
2. Quote the vocabulary section at the head of indent or demand sheet, then show the catalogue number, the designation or part thereof as shown in capitals and quantity of the item required. The nature and mark of the Pistol, Revolver will be shown as remarks.
3. When indenting or demanding by telegram or telephone, the code shown in the top right hand corner of the cover, the catalogue number, the noun only, and the quantity of the item required, will be quoted.

The following abbreviations are used :-

A.C.I. - Army Council Instruction
Amendt.- Amendment
Cat. - Catalogue
Contd. - Continued
In. - Inch
Mk. - Mark

No. - Number
Patt. - Pattern
Ref. - Reference
Sect. - Section
W.E. - Webbing equipment.

It is essential that the list should be kept carefully amended and the particulars recorded below.

AMEND'T SERIAL No.	A.C.I.	BY WHOM AMENDED	DATE OF INSERTION	AMEND'T SERIAL No.	A.C.I.	BY WHOM AMENDED	DATE OF INSERTION

Any correspondence with reference to this list should be addressed to Chief Inspector of Armaments.

CONTENTS

	Page No.
Accessories -	
Equipment, webbing	10
Tools, armourers	10
Index to catalogue numbers	11
Pistol, revolver, No.2, Mk.1 -	
Barrel	1
Body, Mk.1	1
Cylinder	1
Hammer, Mk.1	2
Levers	2
Springs	3
Stock	3
Trigger, Mk.1	3
Pistol, revolver, No.2, Mk.1 ³² -	
Barrel	4
Body, Mk.1	4
Cylinder	4
Hammer, Mk.1 ³²	5
Levers	5
Springs	6
Stock	6
Trigger, Mk.1	6
Pistol, revolver, No.2, Mk.1 ³² -	
Barrel	7
Body, Mk.1 ³²	7
Cylinder	7
Hammer, Mk.1 ³²	8
Levers	8
Springs	9
Stock	9
Trigger, Mk.1 ³²	9

KEY PLATE.

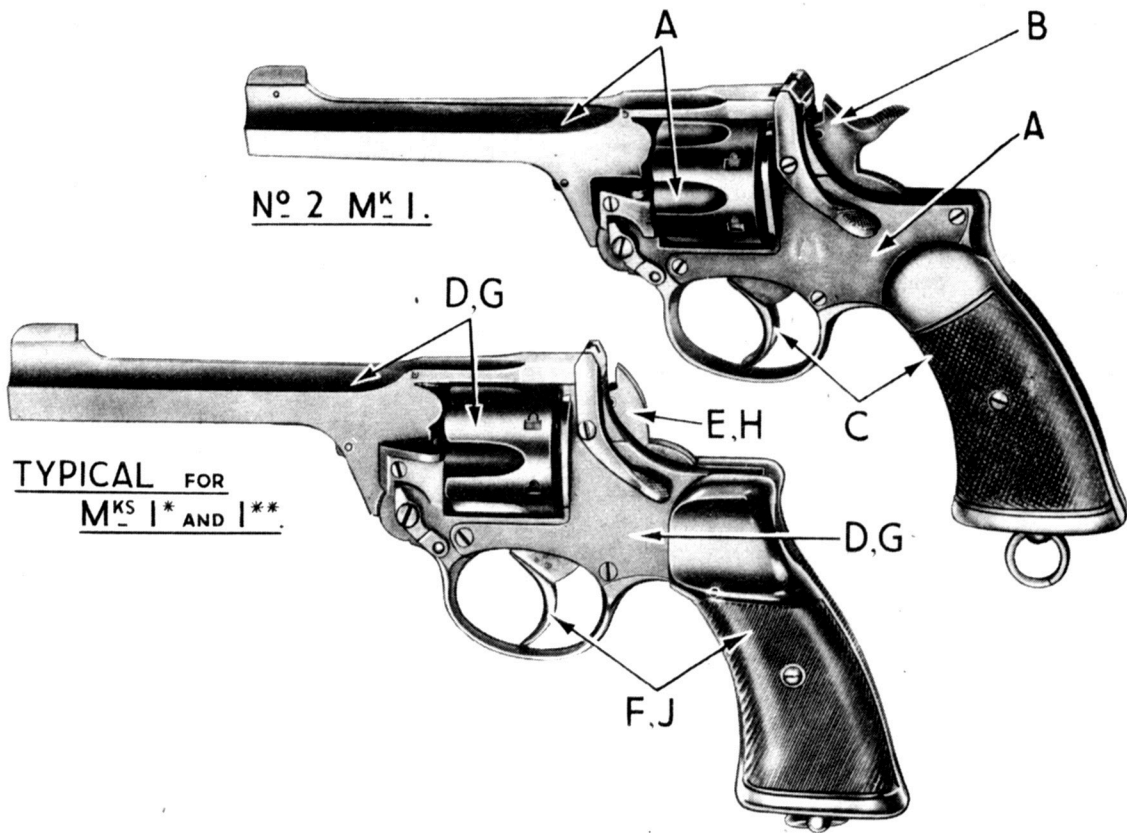


PLATE REF. NO	DESIGNATION	V.A.O.S SECT. & PART OR CAT. NO	NO OFF	DRAWING NO
A				<u>D.D.(E)</u>
1	PISTOL, REVOLVER, NO.2, MK.1 /	B1/BB 0424	1	29A
2	BARREL /	B1/BB 0425	1	
3	AXIS, cylinder	B1/BB 7672	1	29A/1A
4	BARREL	B1/BA 10136	1	29A/2A
5	PIN, fixing, cylinder axis... ..	B1/BB 0449	1	29A/26
6	PLUG, cylinder axis	B1/BA 10137	1	29A/23
7	BLADE, foresight, central	B1/BB 0426	1	29A/3A
	OR			
8	BLADE, foresight, left	B1/BB 0427	1	29A/3A
	OR			
9	BLADE, foresight, right... ..	B1/BB 0428	1	29A/3A
10	BODY, MK.1 /	B1/BB 0429	1	
11	BODY	B1/BA 10142	1	29A/4A
12	PLATE	B1/BB 0451	1	29A/27
13	SCREW, plate	B1/BB 0457	4	29A/34
14	STUD, hammer	B1/BB 7673	1	29A/50
15	STUD, cylinder stop	B1/BB 7674	1	29A/51
16	STUD, trigger	B1/BB 7675	1	29A/52
17	CAM	B1/BB 0430	1	29A/5
18	CATCH, barrel	B1/BB 0431	1	29A/6A
19	CYLINDER /	B1/BB 0435	1	
20	CYLINDER	B1/BA 10138	1	29A/10A
21	EXTRACTOR	B1/BA 10139	1	29A/11
22	NUT /... ..	B1/BA 10140	1	29A/16A
23	NUT, extractor	B1/BB 0441	1	29A/17
24	PIN, extractor /... ..	B1/BB 0445	1	29A/21
25	PIN, fixing, nut /	B1/BA 10141	1	29A/22
26	SPRING, extractor	B1/BB 0465	1	29A/42

No. 2 Mk I DETAILS.

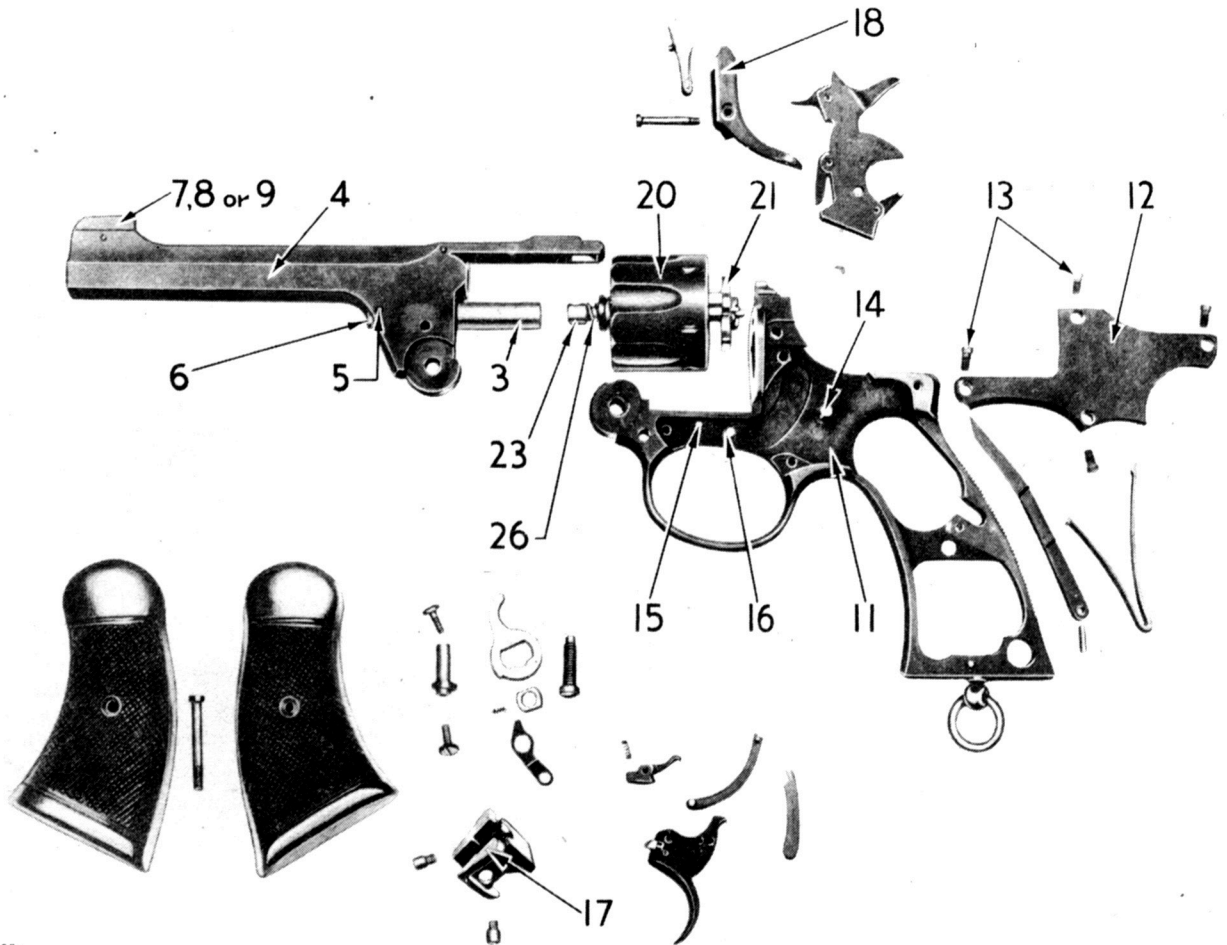


PLATE REF. NO	DESIGNATION	V.A.O.S SECT. & PART OR CAT. NO	NO OFF	DRAWING NO
B	PISTOL, REVOLVER, NO. 2, MK. 1 (Contd) -			<u>D.D. (E)</u>
1	HAMMER, MK. 1 /	B1/BB0436	1	
2	CATCH	B1/BB0432	1	29A/7A
3	HAMMER	B1/BA 10144	1	29A/12A
4	PIN, catch	B1/BB 0450	1	29A/37A
5	PIN, striker	B1/BB 0448	1	29A/20
6	PIN, swivel	B1/BB 0450	1	29A/37A
7	SPRING, catch /	B1/BB 0463	1	29A/40
8	STRIKER	B1/BB 0473	1	29A/49
9	SWIVEL	B1/BB 0475	1	29A/54
10	LEVER, auxiliary	B1/BB 0437	1	29A/15
11	LEVER, cam	B1/BB 0436	1	29A/13
12	LEVER, extractor	B1/BB 0439	1	29A/14
13	LEVER, main spring	B1/BB 0440	1	29A/45
14	PAWL	B1/BB 0443	1	29A/19A
15	PIN, joint	B1/BB 0446	1	29A/24
16	PIN, lever, main spring	B1/BB 0447	1	29A/25
17	PIN, swivel, butt	B1/BB 0449	1	29A/26
18	SCREW, foresight blade	B1/BB 0452	1	29A/28
19	SCREW, cam	B1/BB 0453	2	29A/29
20	SCREW, barrel catch	B1/BB 0454	1	29A/30
21	SCREW, fixing, cam lever	B1/BB 0455	1	29A/31A
22	SCREW, joint pin	B1/BB 0456	2	29A/33
23	SCREW, shield /	B1/BB 0456	1	29A/35
24	SCREW, stock	B1/BB 0459	1	29A/36

No. 2 Mk I DETAILS.

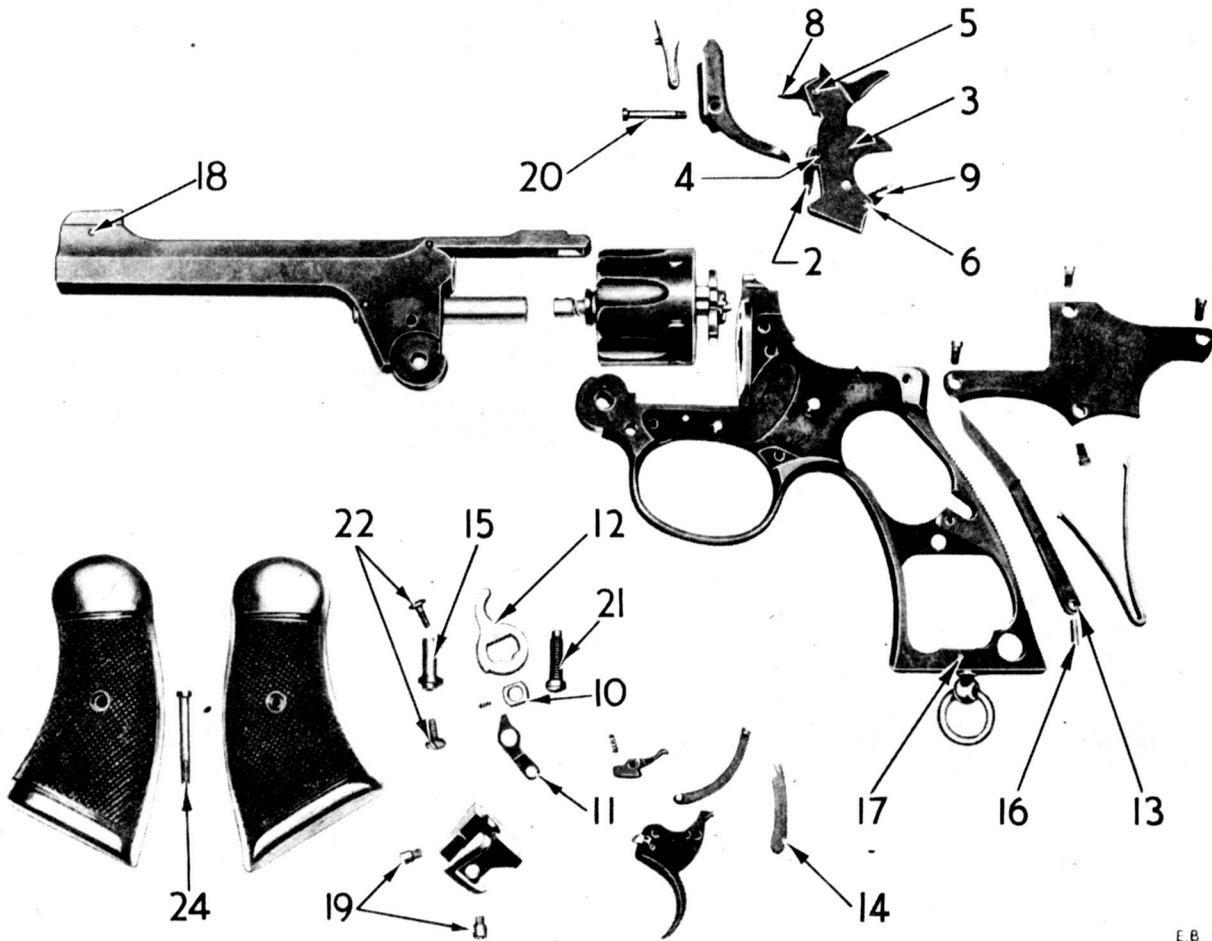


PLATE REF. NO.	DESIGNATION	V.A.O.S SECT. & PART OR CAT. NO.	No OFF	DRAWING NO.
6	PISTOL, REVOLVER, NO.2, MK.1 (contd.) -			<u>DD(E)</u>
1	SHIELD	B1/BB 0460	1	29A/38
2	SPRING, barrel catch	B1/BB 0462	1	29A/39A
3	SPRING, extractor lever	B1/BB 0466	1	29A/43
4	SPRING, main, Mk.1	B1/BB 0467	1	29A/44A
5	SPRING, cylinder stop	B1/BB 0468	1	29A/46
6	STOCK, SIDE, LEFT, MK.1 ✓	B1/BB 0469	1	
7	CUP, countersunk	B1/BB 0434	1	29A/9
8	STOCK	B1/BA 10145	1	29A/47
9	STOCK, SIDE, RIGHT, MK.1 ✓	B1/BB 0470	1	
10	NUT	B1/BB 0442	1	29A/18
11	STOCK	B1/BA 10145	1	29A/47
12	STOP, cylinder	B1/BB 0471	1	29A/48A
13	STOP, safety	B1/BB 0472	1	29A/32A
14	SWIVEL, butt	B1/BB 0474	1	29A/53
15	TRIGGER, MK.1 ✓	B1/BB 0476	1	
16	CATCH	B1/BB 0433	1	29A/8A
17	PIN, catch	B1/BB 0444	1	29A/57
18	SPRING, catch ✓	B1/BB 0464	1	29A/41
19	TRIGGER	B1/BA 10143	1	29A/55B

E. B. 954

No. 2 Mk I DETAILS.

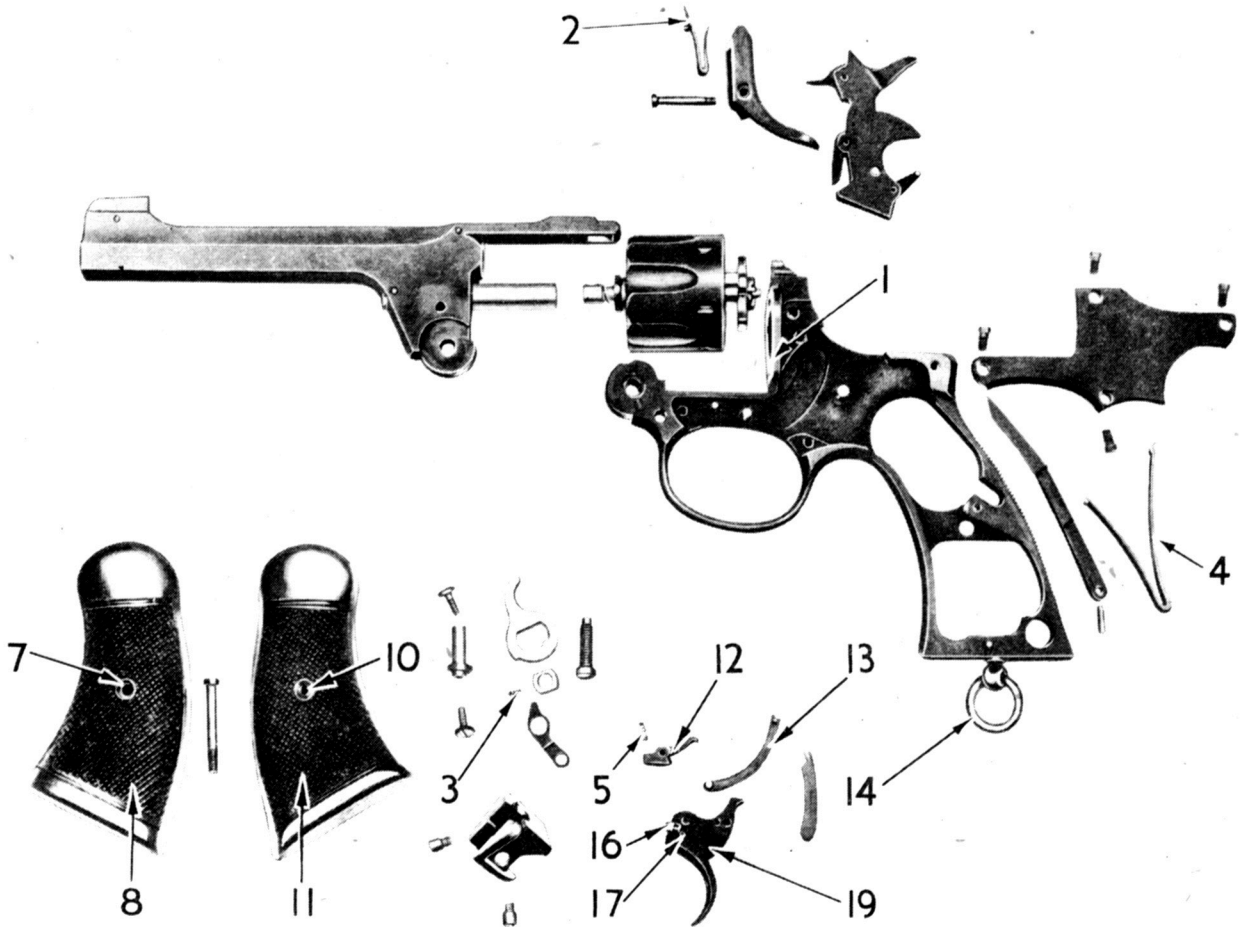


PLATE REF. NO	DESIGNATION	V.A.O.S SECT. & PART OR CAT. NO	NO OFF	DRAWING NO
D				<u>D.D.(E).</u>
1	PISTOL, REVOLVER, NO.2, MK.1 ^M /	B1/BB 0478	1	2078
2	BARREL /	B1/BB 0425	1	
3	AXIS, cylinder	B1/BB 7672	1	29A/1A
4	BARREL	B1/BA 10136	1	29A/2A
5	PIN, fixing, cylinder axis	B1/BB 0449	1	29A/26
6	PLUG, cylinder axis	B1/BA 10137	1	29A/23
7	BLADE, foresight, central	B1/BB 0426	1	29A/3A
	OR			
8	BLADE, foresight, left	B1/BB 0427	1	29A/3A
	OR			
9	BLADE, foresight, right	B1/BB 0428	1	29A/3A
10	BODY, MK.1 /	B1/BB 0429	1	
11	BODY	B1/BA 10142	1	29A/4A
12	PLATE	B1/BB 0451	1	29A/27
13	SCREW, plate	B1/BB 0457	4	29A/34
14	STUD, hammer	B1/BB 7673	1	29A/50
15	STUD, cylinder stop	B1/BB 7674	1	29A/51
16	STUD, trigger	B1/BB 7675	1	29A/52
17	CAM	B1/BB 0430	1	29A/5
18	CATCH, barrel	B1/BB 0431	1	29A/6A
19	CYLINDER /	B1/BB 0435	1	
20	CYLINDER	B1/BA 10138	1	29A/10A
21	EXTRACTOR	B1/BA 10139	1	29A/11
22	NUT /	B1/BA 10140	1	29A/16A
23	NUT, extractor	B1/BB 0441	1	29A/17
24	PIN, extractor /	B1/BB 0445	1	29A/21
25	PIN, fixing, nut /	B1/BA 10141	1	29A/22
26	SPRING, extractor	B1/BB 0465	1	29A/42

No. 2 Mk I* DETAILS.

Plate D

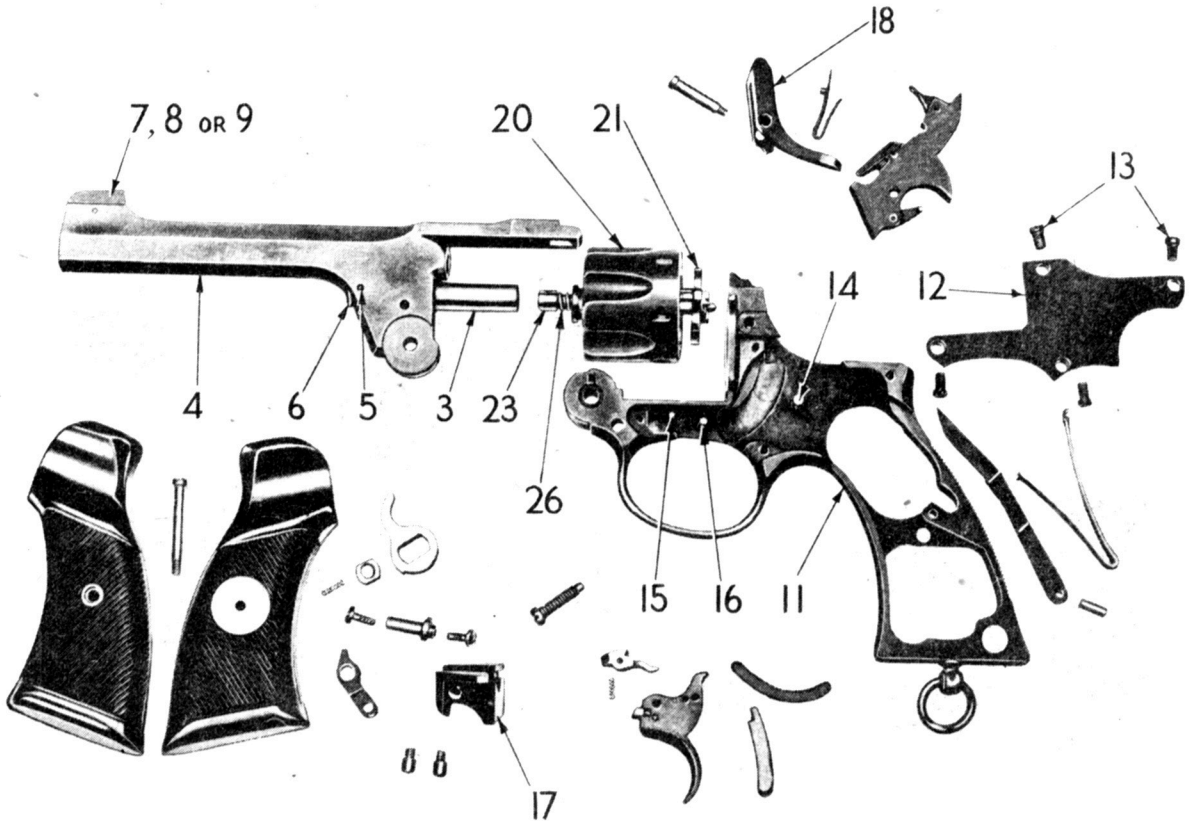


Plate E

No. 2 Mk I* DETAILS.

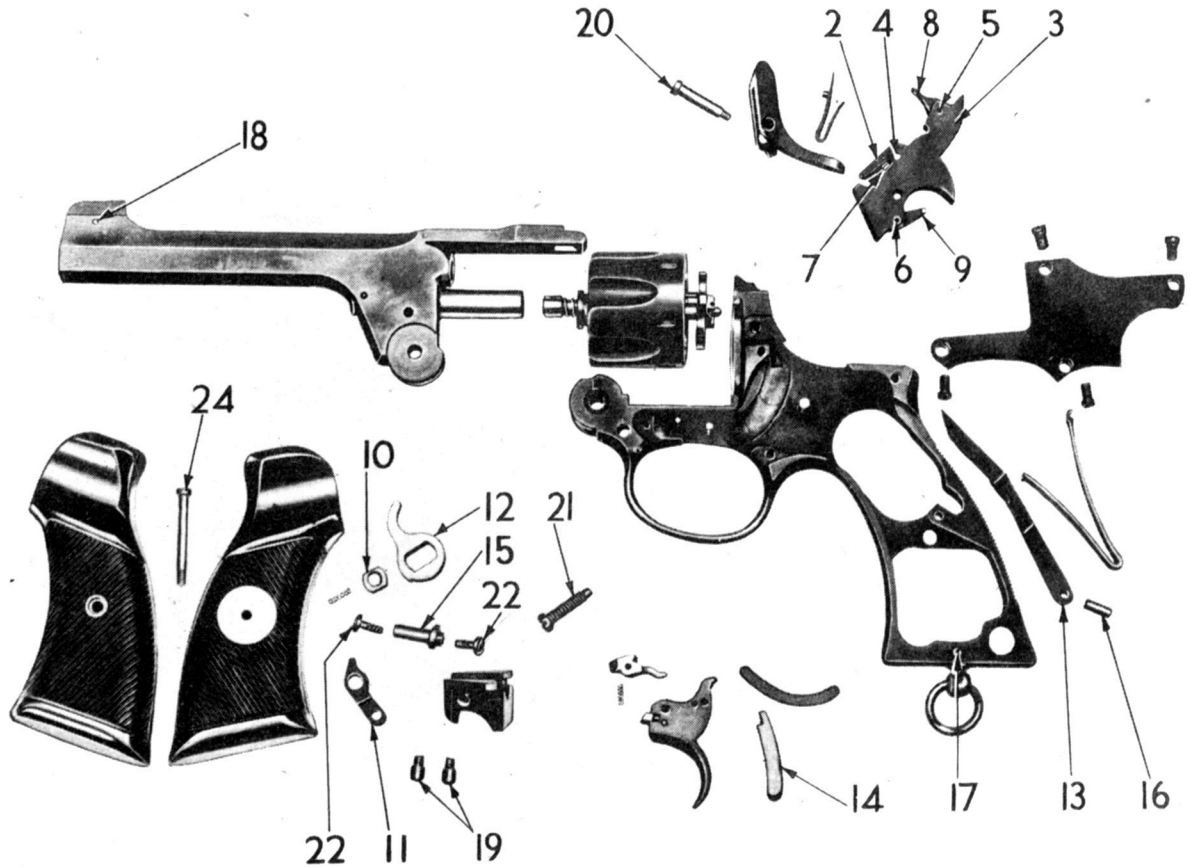


PLATE REF. NO	DESIGNATION	V.A.O.S SECT. & PART OR CAT. NO	NO OFF	DRAWING NO
E	PISTOL, REVOLVER, NO.2, MK.1* (contd.) -			<u>DD(E)</u>
1	HAMMER, MK.1* /	B1/BB 0480	1	
2	CATCH	B1/BB 0432	1	29A/7A
3	HAMMER	B1/BA 10146	1	2076/2
4	PIN, catch	B1/BB 0450	1	29A/37A
5	PIN, striker	B1/BB 0448	1	29A/20
6	PIN, swivel	B1/BB 0450	1	29A/37A
7	SPRING, catch	B1/BB 0463	1	29A/40
8	STRIKER	B1/BB 0473	1	29A/49
9	SWIVEL	B1/BB 0475	1	29A/54
10	LEVER, auxiliary	B1/BB 0437	1	29A/15
11	LEVER, cam	B1/BB 0438	1	29A/13
12	LEVER, extractor	B1/BB 0439	1	29A/14
13	LEVER, main spring	B1/BB 0440	1	29A/45
14	PAWL	B1/BB 0443	1	29A/19A
15	PIN, joint	B1/BB 0446	1	29A/24
16	PIN, lever, main spring	B1/BB 0447	1	29A/25
17	PIN, swivel, butt	B1/BB 0449	1	29A/26
18	SCREW, foresight blade	B1/BB 0452	1	29A/28
19	SCREW, cam	B1/BB 0453	2	29A/29
20	SCREW, barrel catch	B1/BB 0454	1	29A/30
21	SCREW, fixing, cam lever	B1/BB 0455	1	29A/31A
22	SCREW, joint pin	B1/BB 0456	2	29A/33
23	SCREW, shield /	B1/BB 0458	1	29A/35
24	SCREW, stock, Mk.2	B1/BB 0481	1	2076/3

PLATE REF. NO	DESIGNATION	V.A.O.S SECT. & PART OR CAT. NO	NO OFF	DRAWING NO
F	PISTOL, REVOLVER, NO.2, MK.1 (contd.) -			<u>DD(E)</u>
1	SHIELD	B1/BB 0460	1	29A/38
2	SPRING, barrel catch	B1/BB 0462	1	29A/39A
3	SPRING, extractor lever	B1/BB 0466	1	29A/43
4	SPRING, main, Mk.1	B1/BB 0467	1	29A/44A
5	SPRING, cylinder stop	B1/BB 0468	1	29A/46
6	STOCK, SIDE, LEFT, MK.2 ✓	B1/BB 0483	1	
7	CUP, countersunk, Mk.1	B1/BB 0434	1	29A/9
8	STOCK OR	B1/BA 10147	1	2076/5
9	STOCK, SIDE, LEFT, MK.3 ✓	B1/BB 7676	1	
10	CUP, countersunk, Mk.2	B1/BB 7678	1	2076/6
11	STOCK	B1/BA 10149	1	2076/7
12	STOCK, SIDE, RIGHT, MK.2 ✓	B1/BB 0484	1	
13	DISC, marking	B1/BB 0479	1	2076/1
14	STOCK OR	B1/BA 10147	1	2076/5
15	STOCK, SIDE, RIGHT, MK.3 ✓	B1/BB 7677	1	
16	DISC, marking	B1/BB 0479	1	2076/1
17	STOCK	B1/BA 10149	1	2076/7
18	STOP, cylinders	B1/BB 0471	1	29A/48A
19	STOP, safety	B1/BB 0472	1	29A/32A
20	SWIVEL, butt	B1/BB 0474	1	29A/53
21	TRIGGER, MK.1 ✓	B1/BB 0476	1	
22	CATCH	B1/BB 0433	1	29A/8A
23	PIN, catch	B1/BA 0444	1	29A/57
24	SPRING, catch ✓	B1/BB 0464	1	29A/41
25	TRIGGER	B1/BA 10143	1	29A/55B

No. 2 Mk I* DETAILS.

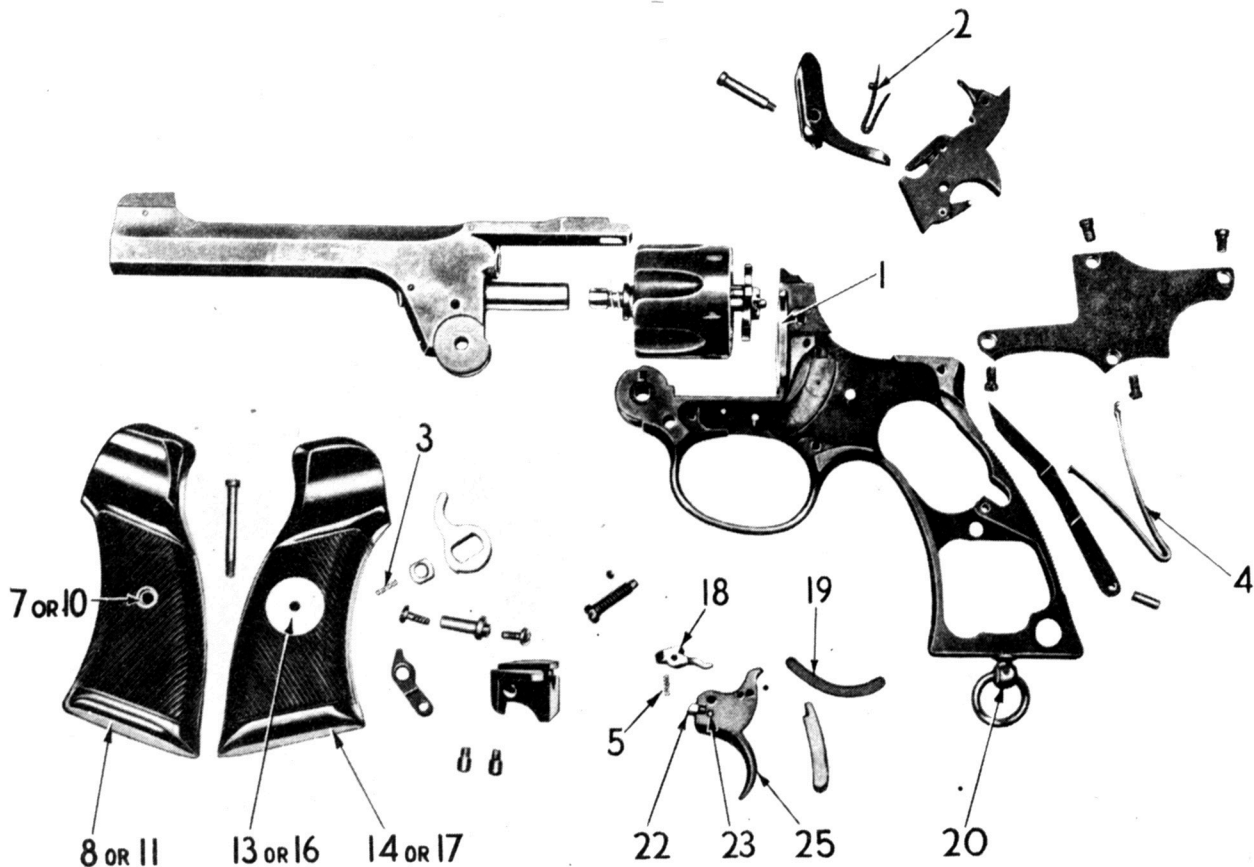


PLATE REF. NO	DESIGNATION	V.A.O.S SECT. & PART OR CAT. NO	NO OFF	DRAWING NO
G				<u>D.D.(E)</u>
1	PISTOL, REVOLVER, NO.2, MK.1 REV /	B1/BB 7002	1	3235
2	BARREL /	B1/BB 0425	1	
3	AXIS, cylinder	B1/BB 7672	1	29A/1A
4	BARREL	B1/BA 10136	1	29A/2A
5	PIN, fixing, cylinder axis	B1/BB 0449	1	29A/26
6	PLUG, cylinder axis	B1/BA 10137	1	29A/23
7	BLADE, foresight, central	B1/BB 0426	1	29A/3A
	OR			
8	BLADE, foresight, left	B1/BB 0427	1	29A/3A
	OR			
9	BLADE, foresight, right	B1/BB 0428	1	29A/3A
10	BODY, MK.1 M /	B1/BB 7003	1	
11	BODY...	B1/BA 10152	1	3235/1
12	PLATE	B1/BB 0451	1	29A/27
13	SCREW, plate	B1/BB 0457	4	29A/34
14	STUD, hammer	B1/BB 7673	1	29A/50
15	STUD, cylinder stop	B1/BB 7674	1	29A/51
16	STUD, trigger	B1/BB 7675	1	29A/52
17	CAM	B1/BB 0430	1	29A/5
18	CATCH, barrel	B1/BB 0431	1	29A/6A
19	CYLINDER /	B1/BB 0435	1	
20	CYLINDER	B1/BA 10138	1	29A/10A
21	EXTRACTOR	B1/BA 10139	1	29A/11
22	NUT /	B1/BA 10140	1	29A/16A
23	NUT, extractor	B1/BB 0441	1	29A/17
24	PIN, extractor /	B1/BB 0445	1	29A/21
25	PIN, fixing, nut /	B1/BA 10141	1	29A/22
26	SPRING, extractor	B1/BB 0465	1	29A/42

No. 2 Mk I**DETAILS.

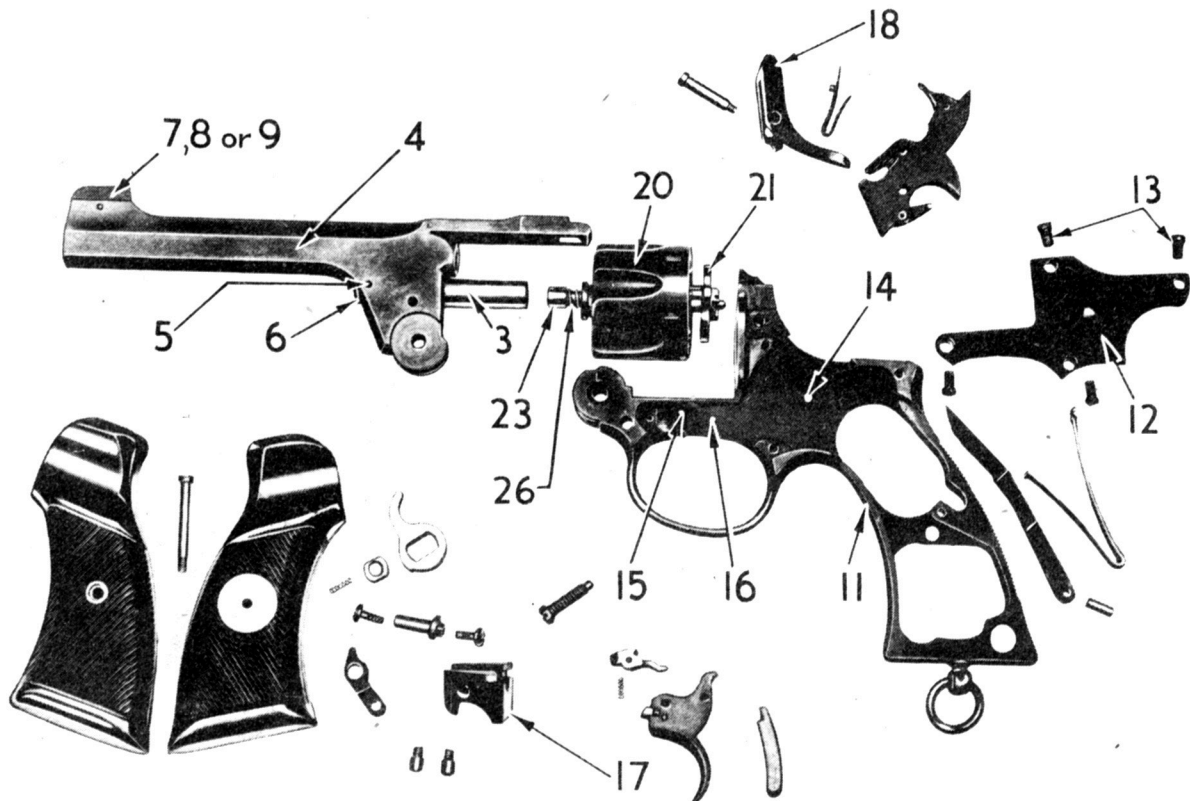


PLATE REF. NO	DESIGNATION	V.A.O.S SECT. & PART OR CAT. NO	NO OFF	DRAWING NO
H	PISTOL, REVOLVER, NO. 2, MK. 1 xxx (contd.) -			<u>DD(E)</u>
1	HAMMER, MK. 1 xxx / %	B1/BB 7004	1	
2	CATCH %	B1/BB 0432	1	29A/7A
3	HAMMER %	B1/BA 10151	1	3235/2
4	PIN, catch %	B1/BB 0450	1	29A/37A
5	PIN, striker %	B1/BB 0448	1	29A/20
6	PIN, swivel %	B1/BB 0450	1	29A/37A
7	SPRING, catch %	B1/BB 0463	1	29A/40
8	STRIKER %	B1/BB 0473	1	29A/49
9	SWIVEL %	B1/BB 0475	1	29A/54
10	LEVER, auxiliary %	B1/BB 0437	1	29A/15
11	LEVER, cam %	B1/BB 0438	1	29A/13
12	LEVER, extractor %	B1/BB 0439	1	29A/14
13	LEVER, main spring %	B1/BB 0440	1	29A/44
14	PAWL %	B1/BB 0443	1	29A/19A
15	PIN, joint %	B1/BB 0446	1	29A/24
16	PIN, lever, main spring %	B1/BB 0447	1	29A/25
17	PIN, swivel, butt %	B1/BB 0449	1	29A/26
18	SCREW, foresight blade %	B1/BB 0452	1	29A/28
19	SCREW, cam %	B1/BB 0453	2	29A/29
20	SCREW, barrel catch %	B1/BB 0454	1	29A/30
21	SCREW, fixing, cam lever %	B1/BB 0455	1	29A/31A
22	SCREW, joint pin %	B1/BB 0456	2	29A/33
23	SCREW, shield / %	B1/BB 0458	1	29A/35
24	SCREW, stock, Mk. 2 %	B1/BB 0481	1	2076/3

E.B.954

PLATE REF. NO	DESIGNATION	V.A.O.S SECT. & PART OR CAT. NO	NO OFF	DRAWING NO
J	PISTOL, REVOLVER, NO. 2, MK. 1 ^{MM} (contd) -			<u>D.D. (E)</u>
1	SHIELD %	B1/BB 0460	1	29A/38
2	SPRING, barrel catch %	B1/BB 0462	1	29A/39A
3	SPRING, extractor lever %	B1/BB 0466	1	29A/43
4	SPRING, main, Mk. 1 %	B1/BB 0467	1	29A/44A
5	SPRING, cylinder stop %	B1/BB 0468	1	29A/46
6	STOCK, SIDE, LEFT, MK. 2 7 %	B1/BB 0483	1	
7	CUP, countersunk, Mk. 1 %	B1/BB 0434	1	29A/9
8	STOCK	B1/BA 10147	1	2076/5
	OR			
9	STOCK, SIDE, LEFT, MK. 3 7 %	B1/BB 7676	1	
10	CUP, countersunk, Mk. 2. %	B1/BB 7678	1	2076/6
11	STOCK	B1/BA 10149	1	2076/7
12	STOCK, SIDE, RIGHT, MK. 2. 7 %	B1/BB 0484	1	
13	DISC, marking %	B1/BB 0479	1	2076/1
14	STOCK	B1/BA 10147	1	2076/5
	OR			
15	STOCK, SIDE, RIGHT, MK. 3 7 %	B1/BB 7677	1	
16	DISC, Marking %	B1/BB 0479	1	2076/1
17	STOCK	B1/BA 10149	1	2076/7
18	STOP, cylinder %	B1/BB 0471	1	29A/48A
19	SWIVEL, butt. %	B1/BB 0474	1	29A/53
20	TRIGGER, MK. 1 ^{MM} 7 %	B1/BB 7005	1	
21	CATCH %	B1/BB 0433	1	29A/8A
22	PIN, catch %	B1/BB 0444	1	29A/57
23	SPRING, catch/ %	B1/BB 0464	1	29A/41
24	TRIGGER	B1/BA 10150	1	3235/3

No. 2 Mk I**DETAILS.

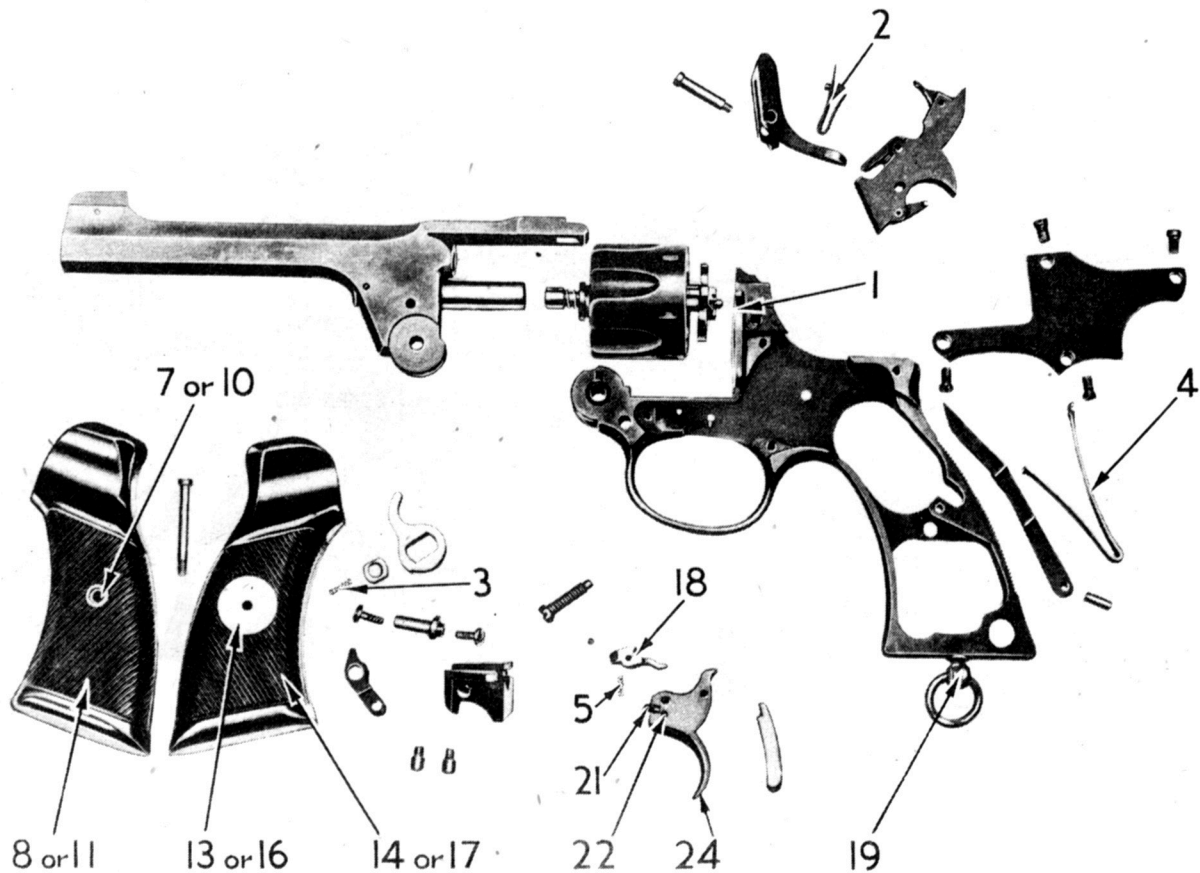
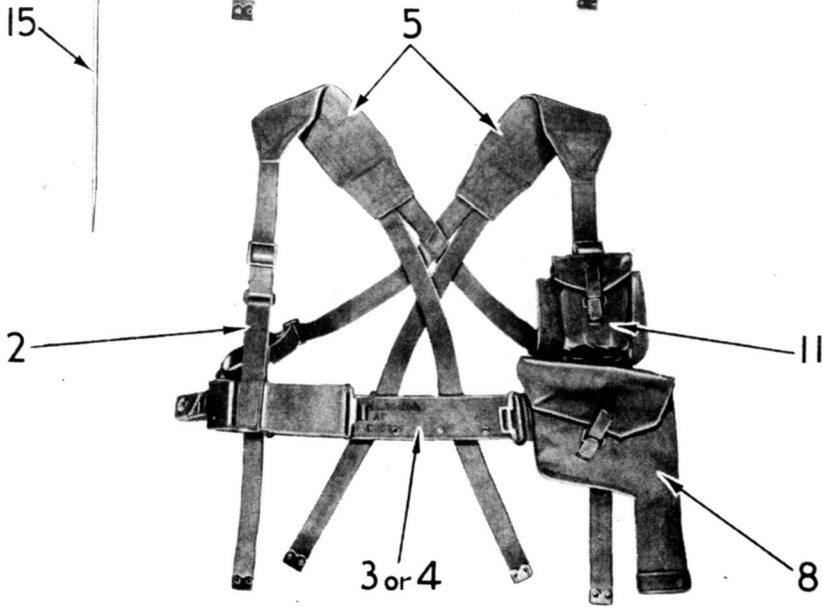
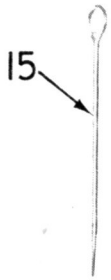
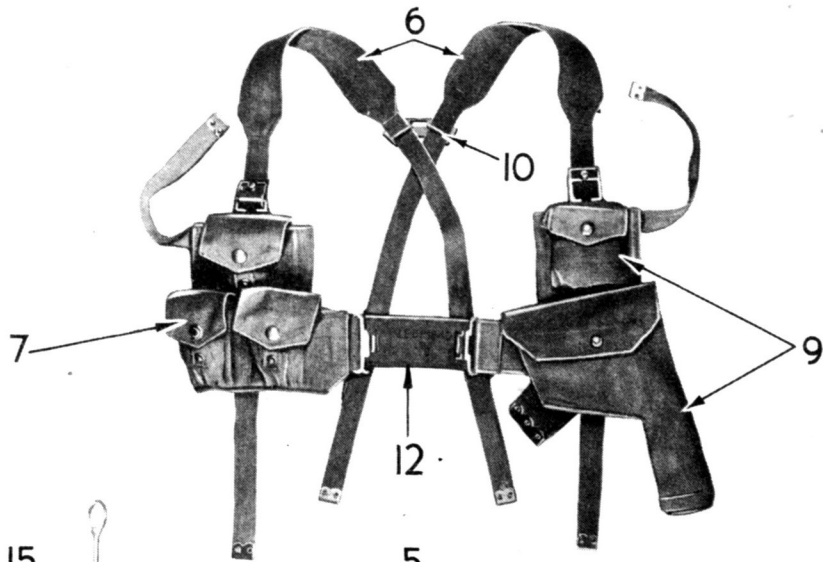


PLATE REF. NO	DESIGNATION	V.A.O.S SECT. & PART OR CAT. NO	NO OFF	DRAWING NO
K	<u>ACCESSORIES</u>			
1	EQUIPMENT, WEBBING - /			
2	ATTACHMENTS, BRACE, W.E. PATT., '44	A1/AA 2000	2	
3	BELT, WAIST, W.E. PATT., '44, LARGE	A1/AA 2001	1	
4	BELT, WAIST, W.E. PATT., '44, NORMAL	A1/AA 2002	1	
5	BRACE, W.E. PATT., '44	A1/AA 2003	1	
6	BRACE, W.E. CAVALRY, PATT., '40	A1/AA 5295	2	
7	CARRIER, CARTRIDGE, W.E. CAVALRY PATT., '40, 45 ROUNDS, RIGHT	A1/AA 5297	1	
8	CASE, PISTOL, W.E. PATT., '44	A1/AA 2005	1	
9	CASE, PISTOL, W.E. CAVALRY PATT., '40	A1/AA 5304	1	
10	FITTING, BRASS, W.E. CAVALRY PATT., '40	A1/AA 5299	1	
11	POUCH, AMMUNITION, PISTOL, W.E. PATT., '44	A1/AA 2010	1	
12	STRAP, BACK ADJUSTMENT, W.E. CAVALRY PATT., '40	A1/AA 5302	1	
13	FLANNELETTE, 4-IN. WIDE /	B2/BC 3491	1	
14	LANYARD, PISTOL /	B1/AA 1160	1	
15	ROD, CLEANING, PISTOL, NO.2, MK.1	B1/BB 3911	1	S.A.I.D. 833C
16	TOOLS, ARMOURERS - /			
17	BRACE, ARMOURERS, MK.3 /	B2/BC 3052	1	
18	BIT, cleaning, No.2 /	B2/BC 3056	1	
19	GAUGE, ARMOURERS, SLIP, .067-IN., MK.1 /	B2/SM 148	1	C.I.A. (GAUGES) 1038
20	GAUGE, ARMOURERS, HAMMER-POINT PROTRUSION, NO.2, MK.1 /	B2/SM 146	1	C.I.A. (GAUGES) 1036
21	GAUGE, ARMOURERS, PLUG, .352-IN., MK.1 /	B2/SM 129	1	C.I.A. (GAUGES) 1020
22	GAUGE, ARMOURERS, PLUG, .358-IN., MK.1 /	B2/SM 130	1	C.I.A. (GAUGES) 1021
23	WIRE, ARMOURERS, BRASS, 3-IN. LENGTHS /	B2/BC 4127	1	
E.B. 954				

ACCESSORIES.



CATALOGUE NUMBER	PAGE	CATALOGUE NUMBER	PAGE	CATALOGUE NUMBER	PAGE
AA 1160	10	BB 0430	1, 4, 7	BB 0467	3, 6, 9
AA 2000	10	BB 0431	1, 4, 7	BB 0468	3, 6, 9
AA 2001	10	BB 0432	2, 5, 8	BB 0469	3.
AA 2002	10	BB 0433	3, 6, 9	BB 0470	3.
AA 2003	10	BB 0434	3, 6, 9	BB 0471	3, 6, 9
AA 2005	10	BB 0435	1, 4, 7	BB 0472	3, 6.
AA 2010	10	BB 0436	2.	BB 0473	2, 5, 8
AA 5295	10	BB 0437	2, 5, 8	BB 0474	3, 6, 9
AA 5297	10	BB 0438	2, 5, 8	BB 0475	2, 5, 8
AA 5299	10	BB 0439	2, 5, 8	BB 0476	3, 6
AA 5302	10	BB 0440	2, 5, 8	BB 0478	4.
AA 5304	10	BB 0441	1, 4, 7	BB 0479	6, 9
		BB 0442	3.	BB 0480	5.
BA 10136	1, 4, 7	BB 0443	2, 5, 8	BB 0481	5, 8
BA 10137	1, 4, 7	BB 0444	3, 6, 9	BB 0483	6, 9
BA 10138	1, 4, 7	BB 0445	1, 4, 7	BB 0484	6, 9
BA 10139	1, 4, 7	BB 0446	2, 5, 8	BB 3911	10.
BA 10140	1, 4, 7	BB 0447	2, 5, 8	BB 7002	7.
BA 10141	1, 4, 7	BB 0448	2, 5, 8	BB 7003	7.
BA 10142	1, 4.	BB 0449	1, 2, 4, 5, 7, 8	BB 7004	8.
BA 10143	3, 6.	BB 0450	2, 5, 8	BB 7005	9.
BA 10144	2.	BB 0451	1, 4, 7	BB 7672	1, 4, 7
BA 10145	3.	BB 0452	2, 5, 8	BB 7673	1, 4, 7
BA 10146	5.	BB 0453	2, 5, 8	BB 7674	1, 4, 7
BA 10147	6, 9.	BB 0454	2, 5, 8	BB 7675	1, 4, 7
BA 10149	6, 9.	BB 0455	2, 5, 8	BB 7676	6, 9.
BA 10150	9.	BB 0456	2, 5, 8	BB 7677	6, 9.
BA 10151	8.	BB 0457	1, 4, 7	BB 7678	6, 9.
BA 10152	7.	BB 0458	2, 5, 8		
		BB 0459	2.	BC 3052	10.
BB 0424	1.	BB 0460	3, 6, 9	BC 3056	10.
BB 0425	1, 4, 7	BB 0462	3, 6, 9	BC 3491	10.
BB 0426	1, 4, 7	BB 0463	2, 5, 8	BC 4127	10.
BB 0427	1, 4, 7	BB 0464	3, 6, 9	SM 129	10.
BB 0428	1, 4, 7	BB 0465	1, 4, 7	SM 130	10.
BB 0429	1, 4.	BB 0466	3, 6, 9	SM 146	10.
				SM 148	10.

