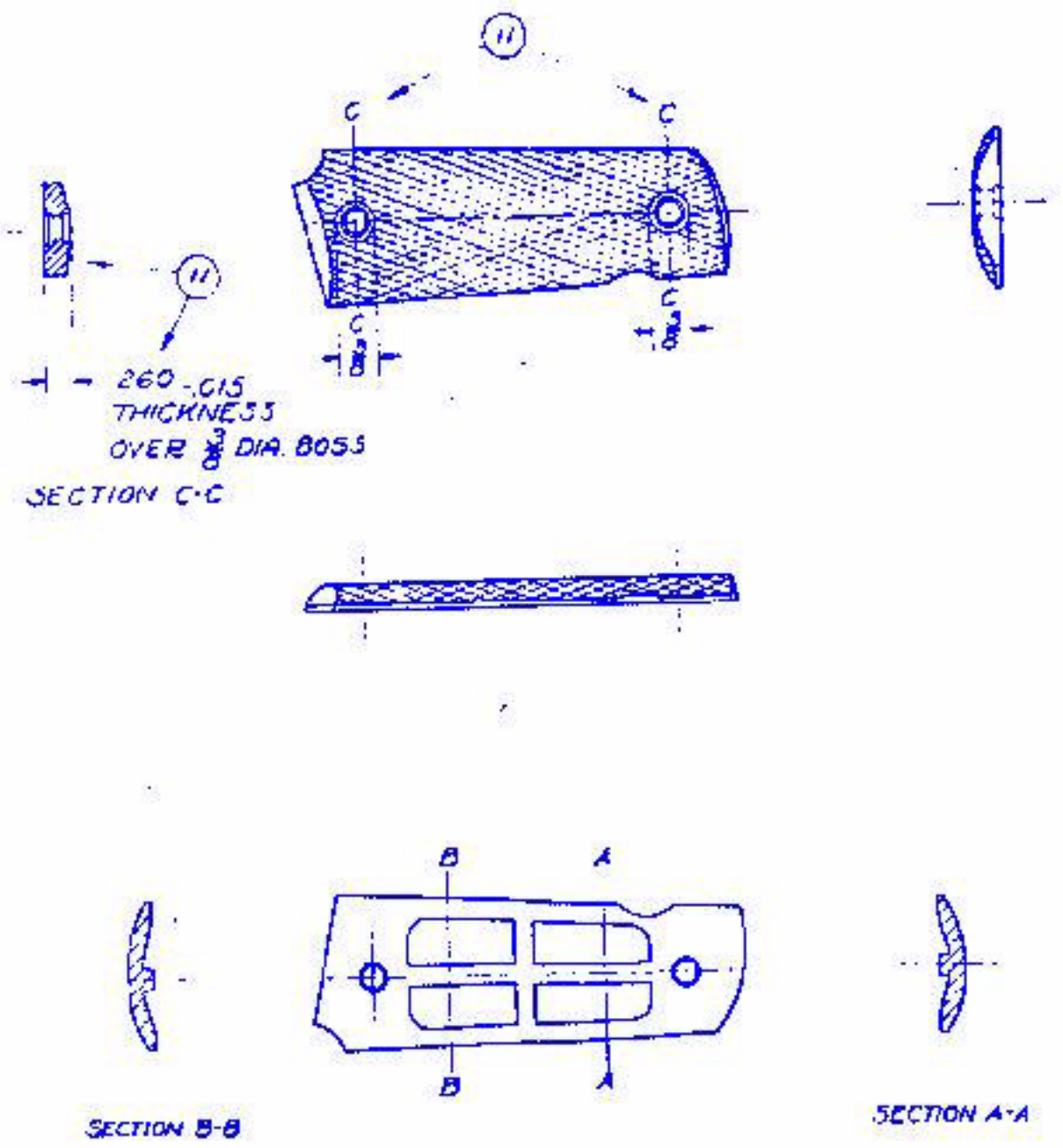


HEAT TREATMENT & FINAL FINISH



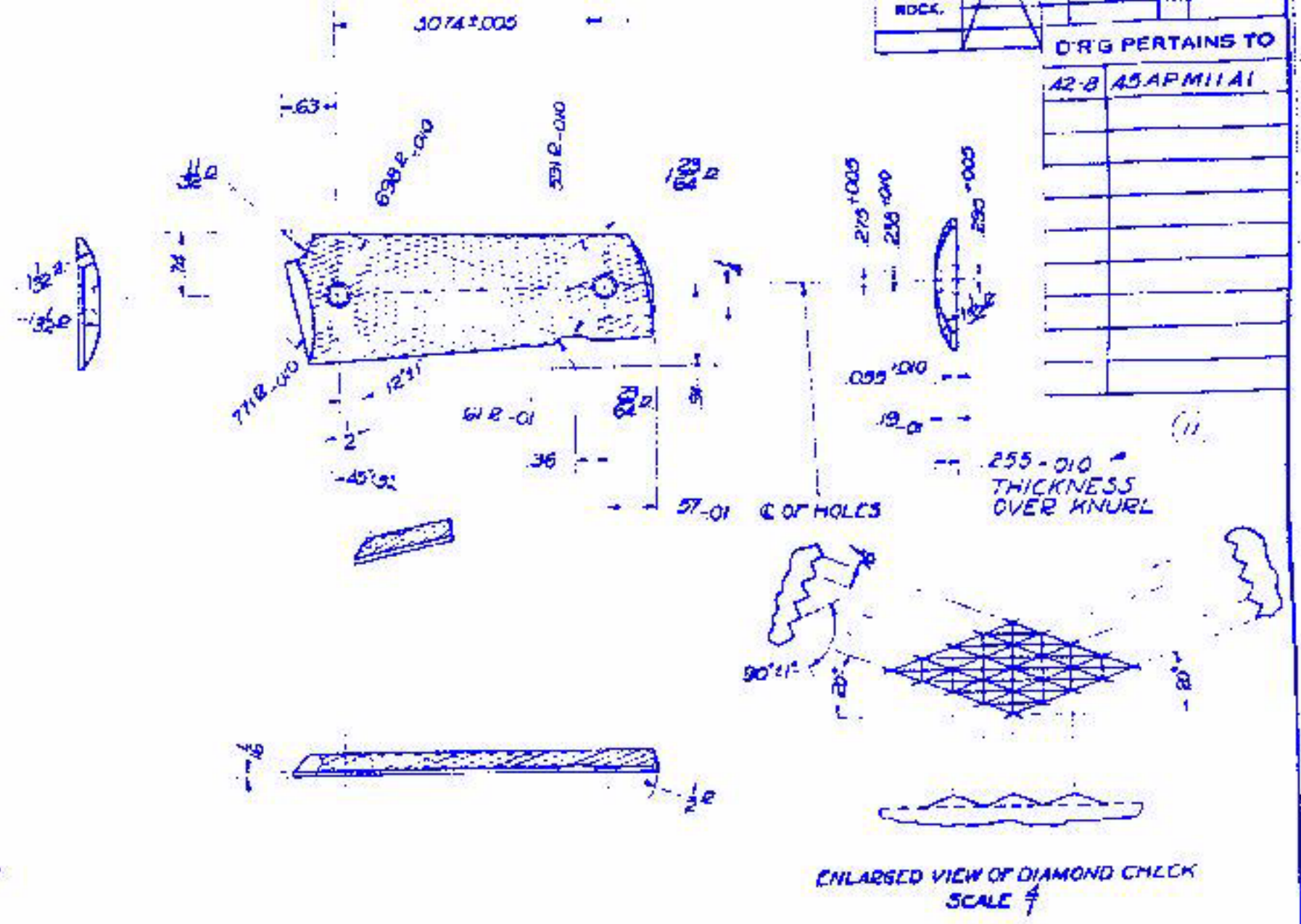
NOTES: - FOR DIMENSIONS SEE DRG. OF WOOD STOCK.  
INSIDE RECESSES MAY VARY SUBJECT TO APPROVAL OF CONTRACTING OFFICER.

STOCK RIGHT HAND, PLASTIC (C64062-11)

TOLERANCE ±.01 ALLOWED ON ALL DIMENSIONS UNLESS OTHERWISE SPECIFIED  
SUPERSEDES OLD TRACING C64062 UNDER REVISION DATE OF SEPT. 5, 1942

PHYSICAL PROPERTIES	JAN. 15, 1936 REVISIONS	
	Y. P.	110
T. B.	4-5-42	9-6-44
EL. 2		
RFD.		
BR.		
MOCK.		

DWG PERTAINS TO  
42-B 45APM11A1



STOCK RIGHT HAND WOOD (C64062-11)

OPTIONAL CHECKING MAY BE HOT PRESSED  
SCALE 4x

SPRINGFIELD ARMOY

SCALE 4x C-64062

DATE	1/15/36	BY	J.S. L.C.P.
REVISION	117	DATE	9-6-44
SUBMITTED			
APPROVED BY ORDER OF THE CHIEF OF ORDNANCE			
M. L. G. DEPT.			
ORDNANCE DEPT. U. S. A.			