

2014-1076, -1317

**IN THE
UNITED STATES COURT OF APPEALS
FOR THE FEDERAL CIRCUIT**

HTC CORPORATION and HTC AMERICA, INC.,

Plaintiffs-Cross-Appellants,

v.

TECHNOLOGY PROPERTIES LIMITED,
PATRIOT SCIENTIFIC CORPORATION and ALLIACENSE LIMITED,

Defendants-Appellants,

Appeals from the United States District Court for the Northern District of
California in Case No. 5:08-cv-00882-PSG, Judge Paul S. Grewal

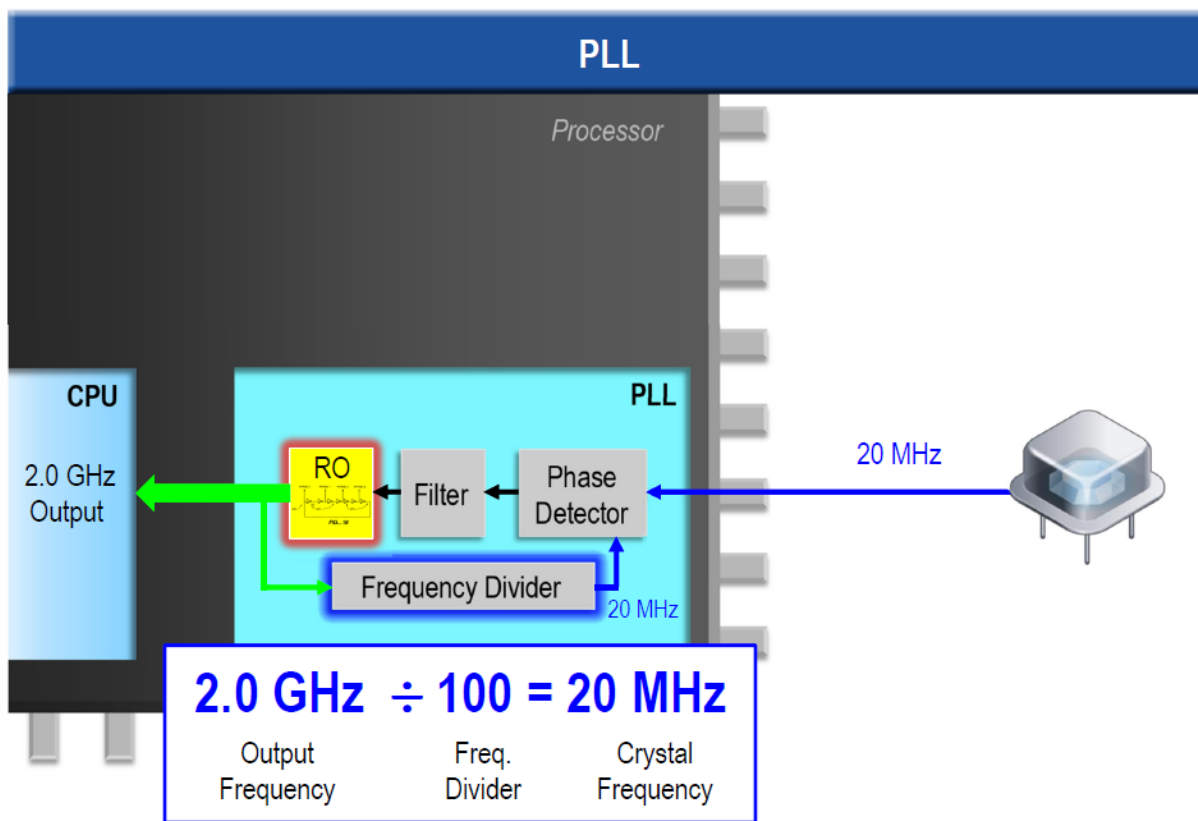
**DEFENDANTS-APPELLANTS' NOTICE OF INTENT TO USE
VISUAL AIDS AT ORAL ARGUMENT**

James C. Otteson
Thomas T. Carmack
Philip W. Marsh
AGILITY IP LAW, LLP
149 Commonwealth Dr.
Menlo Park, CA 94025
Telephone: (650) 227-4800
Facsimile: (650) 318-3483

*Attorneys for Defendants-Appellants
Technology Properties Limited, Patriot
Scientific Corporation and Alliacense
Limited*

December 23, 2014

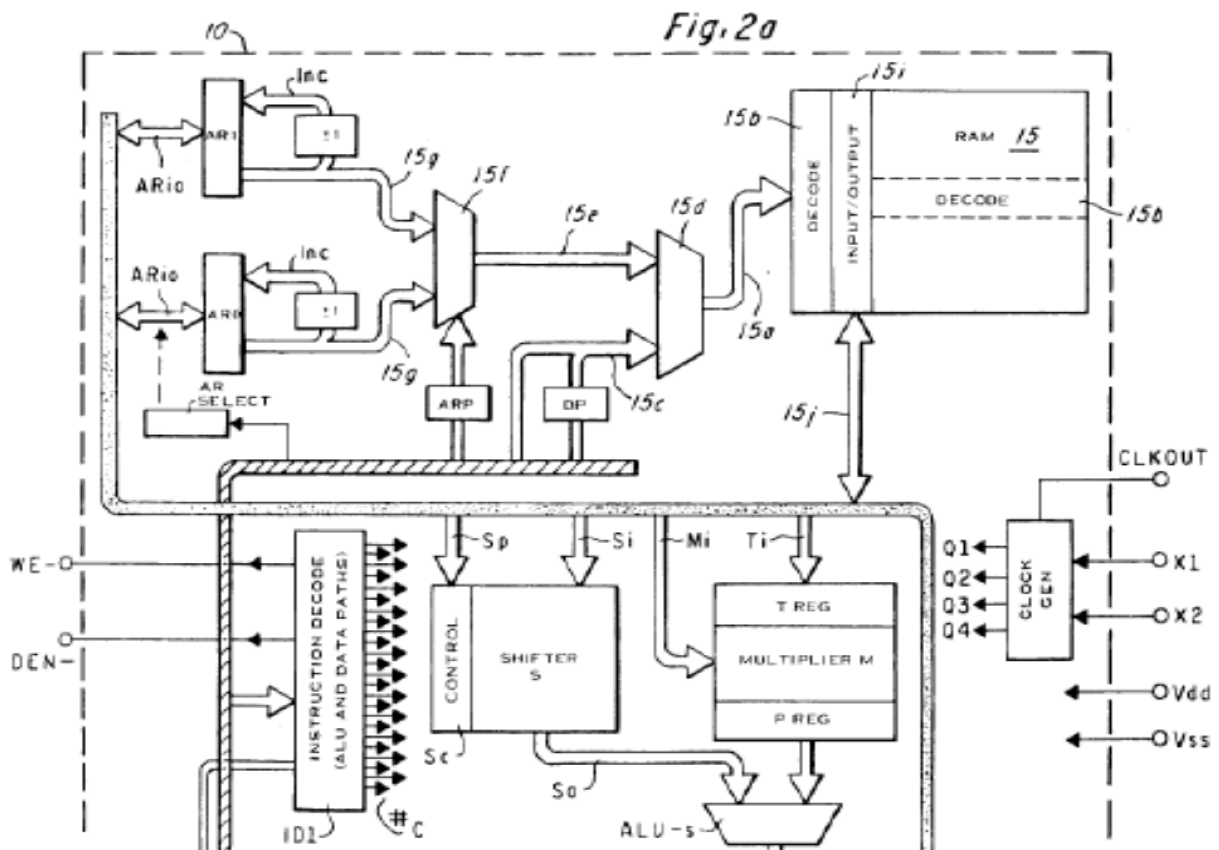
Defendants-Appellants Technology Properties Limited, Patriot Scientific Corporation and Alliacense Limited hereby advise the clerk that their counsel intends to use at oral argument the following visual aids, which were cited in their Response and Reply Brief.



Case No. 5:08-cv-00882 PSG

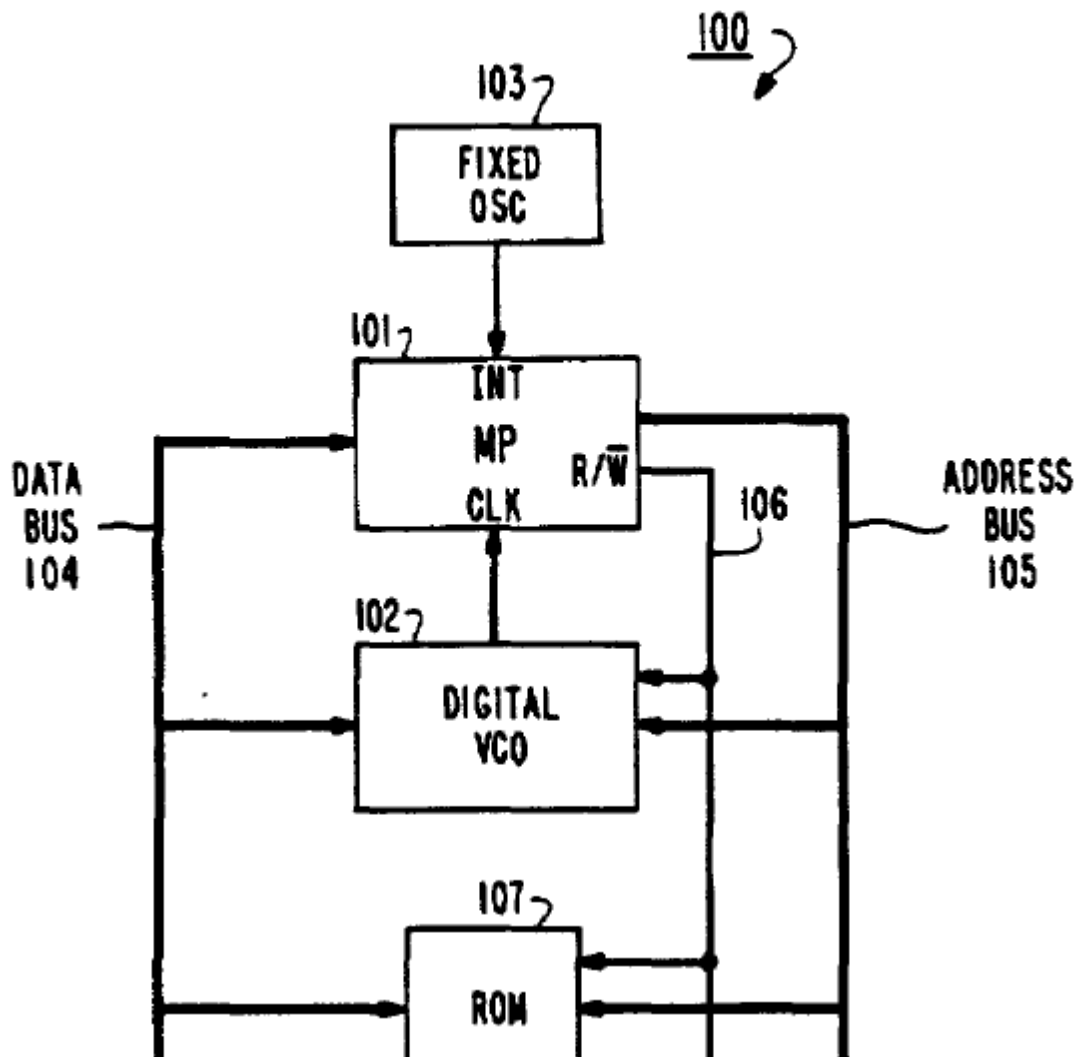
DDX-123

A7859-60.



A5462 (Magar, Fig. 2a).

FIG. 1



A5495 (Sheets, Fig. 1).

**The PLL's External Reference Crystal Is Not
"Used to Generate" the Clock Signal of the Ring Oscillator**

The slow external clock limits the frequency (speed) of the ring oscillator, but does not generate the clock signal of the ring oscillator



Case No. 5:08-cv-00882 PSG

DDX-401

Microprocessor Clocking Before the '336 Patent

The slow external crystal generates the clock signal for the CPU



Case No. 5:08-cv-00882 PSG

DDX-402

Respectfully Submitted,

December 23, 2014

/s/ James C. Otteson

James C. Otteson

Thomas T. Carmack

Philip W. Marsh

AGILITY IP LAW, LLP

149 Commonwealth Dr.

Menlo Park, CA 94025

Telephone: (650) 227-4800

Facsimile: (650) 318-3483

Email:

jim@agilityiplaw.com

tom@agilityiplaw.com

phil@agilityiplaw.com

*Attorneys for Defendants-Appellants
Technology Properties Limited, Patriot
Scientific Corporation and Alliacense
Limited*

FORM 30. Certificate of Service

UNITED STATES COURT OF APPEALS
FOR THE FEDERAL CIRCUIT

CERTIFICATE OF SERVICE

I certify that I served a copy on counsel of record on
by:

Dec 23, 2014

- US mail
- Fax
- Hand
- Electronic Means
(by email or CM/ECF)

James C. Otteson

Name of Counsel

/s/ James C. Otteson

Signature of Counsel

Law Firm Agility IP Law, LLP

Address 149 Commonwealth Drive

City, State, ZIP Menlo Park, CA 94025

Telephone Number (650) 227-4800

FAX Number (650) 318-3483

E-mail Address jim@agilityiplaw.com

NOTE: For attorneys filing documents electronically, the name of the filer under whose log-in and password a document is submitted must be preceded by an "/s/" and typed in the space where the signature would otherwise appear. Graphic and other electronic signatures are discouraged.