

Substitute for form 1449/PTO				Complete if Known	
				Application Number	90/008,227 merged w/ 90/010,562
INFORMATION DISCLOSURE STATEMENT BY APPLICANT				Filing Date	21 Sep. 2006 and 29 May 2006
				First Named Inventor	----
				Art Unit	3992
				Examiner Name	Joseph R. Pokrzywa
				Attorney Docket Number	0081-011D3C1X1
Sheet	1	of	15		
<i>(Use as many sheets as necessary)</i>					

U.S. PATENT DOCUMENTS					
Examiner Initials*	Cite No. ¹	Document Number	Publication Date MM-DD-YYYY	Name of Patentee or Applicant of Cited Document	Pages, Columns, Lines, Where Relevant Passages or Relevant Figures Appear
		Number Kind Code ² (# known)			
	AA	3,603,934	09-07-1971	Heath, Jr. et al.	
	AB	3,849,765	11-19-1974	Hamano	
	AC	3,878,513	04-15-1975	Werner	
	AD	3,924,245	12-02-1975	Eaton et al.	
	AE	3,968,501	07-06-1976	Gilbert	
	AF	4,003,033	01-11-1977	O'Keefe et al.	
	AG	4,050,058	09-20-1977	Garlic	
	AH	4,050,297	09-27-1977	Pettingell et al.	
	AI	4,067,058	01-03-1978	Brandstaetter et al.	
	AJ	4,067,059	01-03-1978	Darchak	
	AK	4,075,691	02-21-1978	Davis et al.	
	AL	4,079,455	03-14-1978	Ozga	
	AM	4,110,822	08-29-1978	Porter et al.	
	AN	4,125,871	11-14-1978	Martin	
	AO	4,128,873	12-05-1978	Lamiaux	
	AP	4,144,562	03-13-1979	Cooper	
	AQ	4,215,401	07-29-1980	Holsztynski, et al.	
	AR	4,217,637	08-12-1980	Faulkner et al.	
	AS	4,224,676	09-23-1980	Appelt	
	AT	4,236,152	11-25-1980	Masuzawa et al.	
	AU	4,253,785	03-03-1981	Bronstein	
	AV	4,255,785	03-10-1981	Chamberlin	
	AW	4,292,668	09-29-1981	Miller et al.	
	AX	4,315,308	02-09-1982	Jackson	
	AY	4,320,467	03-16-1982	Glass	
	AZ	4,321,706	03-23-1982	Craft	
	BA	4,328,557	05-04-1982	Gastinel	
	BB	4,335,447	06-15-1982	Jerrim	
	BC	4,354,228	10-12-1982	Moore et al.	

Examiner Signature		Date Considered	
--------------------	--	-----------------	--

*EXAMINER: Initial if reference considered, whether or not citation is in conformance with MPEP 609. Draw line through citation if not in conformance and not considered. Include copy of this form with next communication to applicant.

¹ Applicant's unique citation designation number (optional). ² Applicant is to place a check mark here if English language Translation is attached.

Substitute for form 1449/PTO INFORMATION DISCLOSURE STATEMENT BY APPLICANT <i>(Use as many sheets as necessary)</i>				Complete if Known	
				Application Number	90/008,227 merged w/ 90/010,562
				Filing Date	21 Sep. 2006 and 29 May 2006
				First Named Inventor	----
				Art Unit	3992
				Examiner Name	Joseph R. Pokrzywa
Sheet	2	of	15	Attorney Docket Number	0081-011D3C1X1

U.S. PATENT DOCUMENTS					
Examiner Initials*	Cite No. ¹	Document Number	Publication Date MM-DD-YYYY	Name of Patentee or Applicant of Cited Document	Pages, Columns, Lines, Where Relevant Passages or Relevant Figures Appear
		Number Kind Code ² (# known)			
	BD	4,361,869	11-30-1982	Johnson et al.	
	BE	4,376,977	03-15-1983	Bruinshorst	
	BF	4,382,279	05-03-1983	Ugon	
	BG	4,398,265	08-09-1983	Puhl et al.	
	BH	4,403,303	09-06-1983	Howes et al.	
	BI	4,449,201	05-15-1984	Clark	
	BJ	4,450,519	05-22-1984	Gutttag et al.	
	BK	4,463,421	07-31-1984	Laws	
	BL	4,488,217	12-11-1984	Binder et al.	
	BM	4,509,115	04-02-1985	Manton et al.	
	BN	4,538,239	08-27-1985	Magar	
	BO	4,541,045	09-10-1985	Kromer, III	
	BP	4,541,111	09-10-1985	Takashima et al.	
	BQ	4,562,537	12-31-1985	Barnett et al	
	BR	4,571,709	02-18-1986	Skupnjak et al.	
	BS	4,577,282	03-18-1986	Caudel et al.	
	BT	4,607,332	08-19-1986	Goldberg	
	BU	4,616,338	10-07-1986	Helen et al.	
	BV	4,626,985	12-02-1986	Briggs	
	BW	4,626,988	12-02-1986	George	
	BX	4,630,195	12-16-1986	Hester et al.	
	BY	4,649,471	03-10-1987	Briggs et al.	
	BZ	4,679,166	07-07-1987	Berger et al.	
	CA	4,709,329	11-24-1987	Hecker	
	CB	4,720,812	01-19-1988	Kao et al.	
	CC	4,760,521	07-26-1988	Rehwald et al.	
	CD	4,772,888	09-20-1988	Kimura	
	CE	4,787,032	03-18-1986	Caudel et al.	
	CF	4,803,621	02-07-1989	Kelly	

Examiner Signature		Date Considered	
--------------------	--	-----------------	--

*EXAMINER: Initial if reference considered, whether or not citation is in conformance with MPEP 609. Draw line through citation if not in conformance and not considered. Include copy of this form with next communication to applicant.

¹ Applicant's unique citation designation number (optional). ² Applicant is to place a check mark here if English language Translation is attached.

Substitute for form 1449/PTO				Complete if Known	
				Application Number	90/008,227 merged w/ 90/010,562
INFORMATION DISCLOSURE STATEMENT BY APPLICANT				Filing Date	21 Sep. 2006 and 29 May 2006
				First Named Inventor	----
				Art Unit	3992
				Examiner Name	Joseph R. Pokrzywa
				Attorney Docket Number	0081-011D3C1X1
Sheet	3	of	15		
<i>(Use as many sheets as necessary)</i>					

U.S. PATENT DOCUMENTS					
Examiner Initials*	Cite No. ¹	Document Number	Publication Date MM-DD-YYYY	Name of Patentee or Applicant of Cited Document	Pages, Columns, Lines, Where Relevant Passages or Relevant Figures Appear
		Number Kind Code ² (# known)			
	CG	4,805,091	02-14-1989	Thiel et al.	
	CH	4,809,169	02-28-1989	Sfarti et al.	
	CI	4,809,269	02-28-1989	Gulick	
	CJ	4,811,208	03-07-1989	Myers et al.	
	CK	4,835,738	05-30-1989	Niehaus et al.	
	CL	4,837,682	06-06-1989	Culler	
	CM	4,860,198	08-22-1989	Takenaka	
	CN	4,868,735	09-19-1989	Moller et al.	
	CO	4,870,562	09-26-1989	Kimoto et al.	
	CP	4,890,225	12-26-1989	Ellis, Jr. et al.	
	CQ	4,907,225	03-06-1990	Gulick et al.	
	CR	4,912,632	03-27-1990	Gach et al.	
	CS	4,914,578	04-03-1990	MacGregor et al.	
	CT	4,931,986	06-05-1990	Daniel et al.	
	CU	4,942,553	07-17-1990	Dalrymple et al.	
	CV	4,959,782	09-25-1990	Tulpule et al.	
	CW	4,967,398	10-30-1990	Jamoua et al.	
	CX	4,969,091	11-06-1990	Muller	
	CY	4,979,102	12-18-1990	Tokuume	
	CZ	5,021,991	06-04-1991	MacGregor et al.	
	DA	5,047,921	09-10-1991	Kinter et al.	
	DB	5,068,781	11-26-1991	Gillett, Jr. et al.	
	DC	5,081,574	01-14-1992	Larsen et al.	
	DD	5,097,437	03-17-1992	Larson et al.	
	DE	5,103,499	04-07-1992	Miner et al.	
	DF	5,134,701	07-28-1992	Mueller et al.	
	DG	5,146,592	07-28-1992	Mueller et al.	
	DH	5,148,385	09-15-1992	Frazier	
	DI	5,179,734	01-12-1993	Candy et al.	

Examiner Signature		Date Considered	
-----------------------	--	--------------------	--

*EXAMINER: Initial if reference considered, whether or not citation is in conformance with MPEP 609. Draw line through citation if not in conformance and not considered. Include copy of this form with next communication to applicant.

¹ Applicant's unique citation designation number (optional). ² Applicant is to place a check mark here if English language Translation is attached.

Substitute for form 1449/PTO INFORMATION DISCLOSURE STATEMENT BY APPLICANT <i>(Use as many sheets as necessary)</i>				Complete if Known	
				Application Number	90/008,227 merged w/ 90/010,562
				Filing Date	21 Sep. 2006 and 29 May 2006
				First Named Inventor	----
				Art Unit	3992
				Examiner Name	Joseph R. Pokrzywa
Sheet	4	of	15	Attorney Docket Number	0081-011D3C1X1

U.S. PATENT DOCUMENTS						
Examiner Initials*	Cite No. ¹	Document Number		Publication Date MM-DD-YYYY	Name of Patentee or Applicant of Cited Document	Pages, Columns, Lines, Where Relevant Passages or Relevant Figures Appear
		Number	Kind Code ² (if known)			
	DJ	5,226,147		07-06-1993	Fujishima et al.	
	DK	5,239,631		08-24-1993	Boury et al.	
	DL	5,261,057		11-09-1993	Coyle et al.	
	DM	5,261,109		11-09-1993	Cadambi et al.	
	DN	5,325,513		06-28-1994	Tanaka et al.	
	DO	5,339,448		08-16-1994	Tanaka et al.	
	DP	5,353,417		10-04-1994	Fuoco et al.	
	DQ	5,353,427		10-04-1994	Fujishima et al.	
	DR	5,379,438		01-03-1995	Bell et al.	
	DS	5,410,654		04-25-1995	Foster et al.	
	DT	5,410,682		04-25-1995	Sites et al.	
	DU	5,414,862		05-09-1995	Suzuki et al.	
	DV	5,421,000		05-30-1995	Fortino et al.	
	DW	5,459,846		10-17-1995	Hyatt	
	DX	5,530,890		06-25-1996	Moore et al.	
	DY	5,604,915		02-18-1997	Moore et al.	
	DZ	5,659,703		08-19-1997	Moore et al.	

FOREIGN PATENT DOCUMENTS								
Examiner Initials*	Cite No. ¹	Foreign Patent Document			Publication Date MM-DD-YYYY	Name of Patentee or Applicant of Cited Document	Pages, Columns, Lines, Where Relevant Passages or Relevant Figures Appear	T ⁶
		Country Code ³	Number ⁴	Kind Code ⁵ (if known)				
	EA	EP	0 288 649		11-02-1988	IBM		<input type="checkbox"/>
	EB	JP	05-189383		07-30-1998	IBM		<input type="checkbox"/>

Examiner Signature		Date Considered	
--------------------	--	-----------------	--

*EXAMINER: Initial if reference considered, whether or not citation is in conformance with MPEP 609. Draw line through citation if not in conformance and not considered. Include copy of this form with next communication to applicant.

¹ Applicant's unique citation designation number (optional). ² Applicant is to place a check mark here if English language Translation is attached.

Substitute for form 1449/PTO				Complete if Known	
INFORMATION DISCLOSURE STATEMENT BY APPLICANT (Use as many sheets as necessary)				Application Number	90/008,227 merged w/ 90/010,562
				Filing Date	21 Sep. 2006 and 29 May 2006
				First Named Inventor	----
				Art Unit	3992
				Examiner Name	Joseph R. Pokrzywa
				Attorney Docket Number	0081-011D3C1X1
Sheet	5	of	15		

NON PATENT LITERATURE DOCUMENTS			
Examiner Initials *	Cite No. ¹	Include name of the author (in CAPITAL LETTERS), title of the article (when appropriate), title of the item (book, magazine, journal, serial, symposium, catalog, etc.), date, page(s), volume-issue number(s), publisher, city and/or country where published.	T ²
	EC	90/010,520 Request for Reexamination dated 04-30-2009, 106 pages	
	ED	90/010,551 Request for Reexamination dated 05-22-2009, 75 pages	
	EE	90-010,562 Request for Reexamination dated 05-29-2009, 62 pages	
	EF	Alliacense US Patent 6,598,148 Product Report, Toshiba MPEG-4 Audiovisual LSI TC35273 MPEG-4 Audiovisual Code LSI (2006) 13 pages	
	EG	BEST et al., "An Advanced-Architecture CMOS/SOS Microprocessor", IEEE Micro, vol. 2, No. 3, Vol. 2, No. 3 (July 1982), pp. 10-26	
	EH	Technology Properties Limited (TPL), Moore Microprocessor Patent (MMP) Portfolio, downloaded from << www.tplgroup.net/patents/index.php>> downloaded on August 3, 2006, 3 pages total.	
	EI	U.S. Appln No. 07/389,334, Amendment After Notice of Allowance dated March 22, 1995, 2 pages total	
	EJ	U.S. Appln No. 07/389,334, Amendment dated February 28, 1995, 2 pages total	
	EK	U.S. Appln No. 07/389,334, Amendment dated June 03, 1992, 18 pages total	
	EL	U.S. Appln No. 07/389,334, Amendment dated June 30, 1993, 18 pages total	

Examiner Signature		Date Considered	
--------------------	--	-----------------	--

*EXAMINER: Initial if reference considered, whether or not citation is in conformance with MPEP 609. Draw line through citation if not in conformance and not considered. Include copy of this form with next communication to applicant.

¹ Applicant's unique citation designation number (optional). ² Applicant is to place a check mark here if English language Translation is attached.

Substitute for form 1449/PTO				Complete if Known	
INFORMATION DISCLOSURE STATEMENT BY APPLICANT (Use as many sheets as necessary)				Application Number	90/008,227 merged w/ 90/010,562
				Filing Date	21 Sep. 2006 and 29 May 2006
				First Named Inventor	----
				Art Unit	3992
				Examiner Name	Joseph R. Pokrzywa
				Attorney Docket Number	0081-011D3C1X1
Sheet	6	of	15		

NON PATENT LITERATURE DOCUMENTS			
Examiner Initials *	Cite No. ¹	Include name of the author (in CAPITAL LETTERS), title of the article (when appropriate), title of the item (book, magazine, journal, serial, symposium, catalog, etc.), date, page(s), volume-issue number(s), publisher, city and/or country where published.	T ²
	EM	U.S. Appln No. 07/389,334, Amendment dated March 17, 1994, 7 pages total	
	EN	U.S. Appln No. 07/389,334, Amendment dated November 9, 1994, 5 pages total.	
	EO	U.S. Appln No. 07/389,334, Interview Summary dated October 25, 1994, 2 pages total	
	EP	U.S. Appln No. 07/389,334, Final Office Action dated June 9, 1994, 6 pages total	
	EQ	U.S. Appln No. 07/389,334, Notice of Allowance dated November 29, 1994, 4 pages total	
	ER	U.S. Appln No. 07/389,334, Office Action dated December 3, 1991, 9 pages total	
	ES	U.S. Appln No. 07/389,334, Office Action dated December 31, 1992, 13 pages total	
	ET	U.S. Appln No. 07/389,334, Office Action dated November 2, 1993, 3 pages total	
	EU	U.S. Appln No. 07/389,334, Requirement for Restriction dated August 21, 1992, 4 pages total	
	EV	U.S. Appln No. 07/389,334, Response to Restriction Requirement dated September 29, 1992, 2 pages total	

Examiner Signature		Date Considered	
-----------------------	--	--------------------	--

*EXAMINER: Initial if reference considered, whether or not citation is in conformance with MPEP 609. Draw line through citation if not in conformance and not considered. Include copy of this form with next communication to applicant.

¹ Applicant's unique citation designation number (optional). ² Applicant is to place a check mark here if English language Translation is attached.

Substitute for form 1449/PTO				Complete if Known	
INFORMATION DISCLOSURE STATEMENT BY APPLICANT (Use as many sheets as necessary)				Application Number	90/008,227 merged w/ 90/010,562
				Filing Date	21 Sep. 2006 and 29 May 2006
				First Named Inventor	----
				Art Unit	3992
				Examiner Name	Joseph R. Pokrzywa
				Attorney Docket Number	0081-011D3C1X1
Sheet	7	of	15		

NON PATENT LITERATURE DOCUMENTS			
Examiner Initials *	Cite No. ¹	Include name of the author (in CAPITAL LETTERS), title of the article (when appropriate), title of the item (book, magazine, journal, serial, symposium, catalog, etc.), date, page(s), volume-issue number(s), publisher, city and/or country where published.	T ²
	EW	U.S. Appln No. 08/480,206, Amendment dated March 4, 1996, 5 pages total.	
	EX	U.S. Appln No. 08/480,206, Notice of Allowance dated April 2, 1996, 2 pages total	
	EY	U.S. Appln No. 08/480,206, Notice of Allowance dated December 12, 1995, 7 pages total	
	EZ	U.S. Appln No. 08/480,462, Amendment dated April 8, 1996, 7 pages total	
	FA	U.S. Appln No. 08/480,462, Office Action dated December 8, 1995, 4 pages total	
	FB	U.S. Appln No. 08/480,462, Office Action dated July 12, 1996, 6 pages total	
	FC	U.S. Appln No. 08/480,901, Amendment dated May 9, 1996, 7 pages total.	
	FD	U.S. Appln No. 08/480,901, Final Office Action dated July 30, 1996, 4 pages total.	
	FE	U.S. Appln No. 08/480,901, Non-Final Office Action dated November 14, 1995, 3 pages total	
	FF	U.S. Appln No. 08/480,901, Notice of Abandonment dated March 17, 1997, 1 page total.	

Examiner Signature		Date Considered	
--------------------	--	-----------------	--

*EXAMINER: Initial if reference considered, whether or not citation is in conformance with MPEP 609. Draw line through citation if not in conformance and not considered. Include copy of this form with next communication to applicant.

¹ Applicant's unique citation designation number (optional). ² Applicant is to place a check mark here if English language Translation is attached.

Substitute for form 1449/PTO				Complete if Known	
INFORMATION DISCLOSURE STATEMENT BY APPLICANT (Use as many sheets as necessary)				Application Number	90/008,227 merged w/ 90/010,562
				Filing Date	21 Sep. 2006 and 29 May 2006
				First Named Inventor	----
				Art Unit	3992
				Examiner Name	Joseph R. Pokrzywa
				Attorney Docket Number	0081-011D3C1X1
Sheet	8	of	15		

NON PATENT LITERATURE DOCUMENTS			
Examiner Initials *	Cite No. ¹	Include name of the author (in CAPITAL LETTERS), title of the article (when appropriate), title of the item (book, magazine, journal, serial, symposium, catalog, etc.), date, page(s), volume-issue number(s), publisher, city and/or country where published.	T ²
	FG	U.S. Appln No. 08/480,911, Amendment dated May 15, 1996, 10 pages total	
	FH	U.S. Appln No. 08/480,911, Final Office Action dated August 26, 1996, 5 pages total	
	FI	U.S. Appln No. 08/480,911, Non-Final Office Action dated November 15, 1995, 4 pages total	
	FJ	U.S. Appln No. 08/480,911, Notice of Abandonment dated March 31, 1997, 1 page total	
	FK	U.S. Appln No. 08/482,185, Amendment dated January 21, 1997, 8 pages total	
	FL	U.S. Appln No. 08/482,185, Amendment dated May 8, 1996, 12 pages total	
	FM	U.S. Appln No. 08/482,185, Notice of Allowance dated March 7, 1997, 2 pages total	
	FN	U.S. Appln No. 08/482,185, Final Office Action dated July 22, 1996, 6 pages total	
	FO	U.S. Appln No. 08/482,185, Office Action dated November 8, 1995, 5 pages total	
	FP	U.S. Appln No. 08/484,015, Amendment dated June 28, 1996, 7 pages total	

Examiner Signature	Date Considered
-----------------------	--------------------

*EXAMINER: Initial if reference considered, whether or not citation is in conformance with MPEP 609. Draw line through citation if not in conformance and not considered. Include copy of this form with next communication to applicant.

¹ Applicant's unique citation designation number (optional). ² Applicant is to place a check mark here if English language Translation is attached.

Substitute for form 1449/PTO INFORMATION DISCLOSURE STATEMENT BY APPLICANT <i>(Use as many sheets as necessary)</i>				Complete if Known		
				Application Number	90/008,227 merged w/ 90/010,562	
				Filing Date	21 Sep. 2006 and 29 May 2006	
				First Named Inventor	----	
				Art Unit	3992	
				Examiner Name	Joseph R. Pokrzywa	
Sheet	9	of	15	Attorney Docket Number	0081-011D3C1X1	

NON PATENT LITERATURE DOCUMENTS			
Examiner Initials *	Cite No. ¹	Include name of the author (in CAPITAL LETTERS), title of the article (when appropriate), title of the item (book, magazine, journal, serial, symposium, catalog, etc.), date, page(s), volume-issue number(s), publisher, city and/or country where published.	T ²
	FQ	U.S. Appln No. 08/484,015, Notice of Abandonment dated April 28, 1997, 1 page total	
	FR	U.S. Appln No. 08/484,015, Final Office Action dated September 20, 1996, 5 pages total	
	FS	U.S. Appln No. 08/484,015, Office Action dated January 4, 1996, 6 pages total	
	FT	U.S. Appln No. 08/484,230, Amendment dated May 7, 1996, 8 pages total	
	FU	U.S. Appln No. 08/484,230, Office Action dated December 7, 1995, 5 pages total	
	FV	U.S. Appln No. 08/484,230, Final Office Action dated July 16, 1996, 6 pages total	
	FW	U.S. Appln No. 08/484,230, Revised Amendment dated May 13, 1996, 8 pages total	
	FX	U.S. Appln No. 08/484,918, Amendment dated April 11, 1996, 10 pages total	
	FY	U.S. Appln No. 08/484,918, Amendment dated April 24, 1998, 3 pages total	
	FZ	U.S. Appln No. 08/484,918, Amendment dated February 6, 1998, 5 pages total	

Examiner Signature		Date Considered	
-----------------------	--	--------------------	--

*EXAMINER: Initial if reference considered, whether or not citation is in conformance with MPEP 609. Draw line through citation if not in conformance and not considered. Include copy of this form with next communication to applicant.

¹ Applicant's unique citation designation number (optional). ² Applicant is to place a check mark here if English language Translation is attached.

Substitute for form 1449/PTO				Complete if Known	
INFORMATION DISCLOSURE STATEMENT BY APPLICANT (Use as many sheets as necessary)				Application Number	90/008,227 merged w/ 90/010,562
				Filing Date	21 Sep. 2006 and 29 May 2006
				First Named Inventor	----
				Art Unit	3992
				Examiner Name	Joseph R. Pokrzywa
				Attorney Docket Number	0081-011D3C1X1
Sheet	10	of	15		

NON PATENT LITERATURE DOCUMENTS			
Examiner Initials *	Cite No. ¹	Include name of the author (in CAPITAL LETTERS), title of the article (when appropriate), title of the item (book, magazine, journal, serial, symposium, catalog, etc.), date, page(s), volume-issue number(s), publisher, city and/or country where published.	T ²
	GA	U.S. Appln No. 08/484,918, Amendment dated January 7, 1997, 2 pages total	
	GB	U.S. Appln No. 08/484,918, Amendment dated January 8, 1997, 5 pages total	
	GC	U.S. Appln No. 08/484,918, Amendment dated July 3, 1997, 5 pages total	
	GD	U.S. Appln No. 08/484,918, Final Office Action dated July 8, 1996, 5 pages total	
	GE	U.S. Appln No. 08/484,918, Interview Summary dated May 13, 1998, 1 page total	
	GF	U.S. Appln No. 08/484,918, Notice of Allowance dated May 13, 1998, 4 pages total	
	GG	U.S. Appln No. 08/484,918, Office Action dated April 3, 1997, 3 pages total	
	GH	U.S. Appln No. 08/484,918, Office Action dated December 12, 1995, 4 pages total	
	GI	U.S. Appln No. 08/484,918, Office Action dated October 16, 1997, 5 pages total	
	GJ	U.S. Appln No. 08/484,920, Notice of Abandonment dated June 25, 1996, 1 page total	

Examiner Signature		Date Considered	
-----------------------	--	--------------------	--

*EXAMINER: Initial if reference considered, whether or not citation is in conformance with MPEP 609. Draw line through citation if not in conformance and not considered. Include copy of this form with next communication to applicant.

¹ Applicant's unique citation designation number (optional). ² Applicant is to place a check mark here if English language Translation is attached.

Substitute for form 1449/PTO				Complete if Known	
INFORMATION DISCLOSURE STATEMENT BY APPLICANT (Use as many sheets as necessary)				Application Number	90/008,227 merged w/ 90/010,562
				Filing Date	21 Sep. 2006 and 29 May 2006
				First Named Inventor	----
				Art Unit	3992
				Examiner Name	Joseph R. Pokrzywa
				Attorney Docket Number	0081-011D3C1X1
Sheet	11	of	15		

NON PATENT LITERATURE DOCUMENTS			
Examiner Initials *	Cite No. ¹	Include name of the author (in CAPITAL LETTERS), title of the article (when appropriate), title of the item (book, magazine, journal, serial, symposium, catalog, etc.), date, page(s), volume-issue number(s), publisher, city and/or country where published.	T ²
	GK	U.S. Appln No. 08/484,920, Office Action dated November 22, 1995, 3 pages total	
	GL	U.S. Appln No. 08/484,935, Amendment dated April 8, 1996, 14 pages total	
	GM	U.S. Appln No. 08/484,935, Amendment dated February 5, 1998, 9 pages total	
	GN	U.S. Appln No. 08/484,935, Amendment dated June 12, 1997, 14 pages total	
	GO	U.S. Appln No. 08/484,935, Amendment dated November 21, 1997, 11 pages total	
	GP	U.S. Appln No. 08/484,935, Notice of Allowance dated February 13, 1998, 2 pages total	
	GQ	U.S. Appln No. 08/484,935, Office Action dated August 22, 1997, 4 pages total	
	GR	U.S. Appln No. 08/484,935, Final Office Action dated December 12, 1996, 5 pages total	
	GS	U.S. Appln No. 08/484,935, Office Action dated December 7, 1995, 7 pages total	
	GT	U.S. Appln No. 08/485,031, Amendment dated April 29, 1996, 10 pages total	

Examiner Signature		Date Considered	
-----------------------	--	--------------------	--

*EXAMINER: Initial if reference considered, whether or not citation is in conformance with MPEP 609. Draw line through citation if not in conformance and not considered. Include copy of this form with next communication to applicant.

¹ Applicant's unique citation designation number (optional). ² Applicant is to place a check mark here if English language Translation is attached.

Substitute for form 1449/PTO				Complete if Known	
INFORMATION DISCLOSURE STATEMENT BY APPLICANT (Use as many sheets as necessary)				Application Number	90/008,227 merged w/ 90/010,562
				Filing Date	21 Sep. 2006 and 29 May 2006
				First Named Inventor	----
				Art Unit	3992
				Examiner Name	Joseph R. Pokrzywa
				Attorney Docket Number	0081-011D3C1X1
Sheet	12	of	15		

NON PATENT LITERATURE DOCUMENTS			
Examiner Initials *	Cite No. ¹	Include name of the author (in CAPITAL LETTERS), title of the article (when appropriate), title of the item (book, magazine, journal, serial, symposium, catalog, etc.), date, page(s), volume-issue number(s), publisher, city and/or country where published.	T ²
	GU	U.S. Appln No. 08/485,031, Notice of Allowance dated July 19, 1996, 2 pages total	
	GV	U.S. Appln No. 08/485,031, Office Action dated November 28, 1995, 6 pages total	
	GW	U.S. Appln No. 08/486,454, Amendment dated May 8, 1996, 7 pages total	
	GX	U.S. Appln No. 08/486,454, Final Office Action dated July 24, 1996, 4 pages total	
	GY	U.S. Appln No. 08/486,454, Non-Final Office Action dated November 08, 1995, 4 pages total	
	GZ	U.S. Appln No. 08/486,454, Notice of Abandonment dated March 4, 1997, 1 page total	
	HA	U.S. Appln No. 09/051,263, Amendment dated April 30, 2009, 9 pages total	
	HB	U.S. Appln No. 09/051,263, Amendment dated January 9, 2008, 10 pages total	
	HC	U.S. Appln No. 09/051,263, Amendment dated July 12, 2002, 4 pages total	
	HD	U.S. Appln No. 09/051,263, Restriction Requirement dated July 26, 2006, 6 pages total	

Examiner Signature		Date Considered	
-----------------------	--	--------------------	--

*EXAMINER: Initial if reference considered, whether or not citation is in conformance with MPEP 609. Draw line through citation if not in conformance and not considered. Include copy of this form with next communication to applicant.

¹ Applicant's unique citation designation number (optional). ² Applicant is to place a check mark here if English language Translation is attached.

Substitute for form 1449/PTO				Complete if Known	
INFORMATION DISCLOSURE STATEMENT BY APPLICANT (Use as many sheets as necessary)				Application Number	90/008,227 merged w/ 90/010,562
				Filing Date	21 Sep. 2006 and 29 May 2006
				First Named Inventor	----
				Art Unit	3992
				Examiner Name	Joseph R. Pokrzywa
				Attorney Docket Number	0081-011D3C1X1
Sheet	13	of	15		

NON PATENT LITERATURE DOCUMENTS			
Examiner Initials *	Cite No. ¹	Include name of the author (in CAPITAL LETTERS), title of the article (when appropriate), title of the item (book, magazine, journal, serial, symposium, catalog, etc.), date, page(s), volume-issue number(s), publisher, city and/or country where published.	T ²
	HE	U.S. Appln No. 09/051,263, Amendment dated September 17, 2007, 5 pages total	
	HF	U.S. Appln No. 09/051,263, Amendment dated September 25, 2006, 4 pages total	
	HG	U.S. Appln No. 09/051,263, Interview Summary dated September 14, 2006, 4 pages total	
	HH	U.S. Appln No. 09/051,263, Non-Compliant Amendment dated June 27, 2007, 14 pages total	
	HI	U.S. Appln No. 09/051,263, Notice of Abandonment dated December 22, 2000, 2 pages total.	
	HJ	U.S. Appln No. 09/051,263, Notice of Non-Compliant Amendment dated July 17, 2007, 3 pages total	
	HK	U.S. Appln No. 09/051,263, Notice of Non-Compliant Amendment dated December 12, 2007, 3 pages total	
	HL	U.S. Appln No. 09/051,263, Office Action dated January 18, 2000, 2 pages total	
	HM	U.S. Appln No. 09/051,263, Office Action dated May 15, 2000, 2 pages total	
	HN	U.S. Appln No. 09/051,263, Office Action dated October 30, 2008, 14 pages total	

Examiner Signature		Date Considered	
--------------------	--	-----------------	--

*EXAMINER: Initial if reference considered, whether or not citation is in conformance with MPEP 609. Draw line through citation if not in conformance and not considered. Include copy of this form with next communication to applicant.

¹ Applicant's unique citation designation number (optional). ² Applicant is to place a check mark here if English language Translation is attached.

Substitute for form 1449/PTO				Complete if Known	
INFORMATION DISCLOSURE STATEMENT BY APPLICANT (Use as many sheets as necessary)				Application Number	90/008,227 merged w/ 90/010,562
				Filing Date	21 Sep. 2006 and 29 May 2006
				First Named Inventor	----
				Art Unit	3992
				Examiner Name	Joseph R. Pokrzywa
				Attorney Docket Number	0081-011D3C1X1
Sheet	14	of	15		

NON PATENT LITERATURE DOCUMENTS			
Examiner Initials *	Cite No. ¹	Include name of the author (in CAPITAL LETTERS), title of the article (when appropriate), title of the item (book, magazine, journal, serial, symposium, catalog, etc.), date, page(s), volume-issue number(s), publisher, city and/or country where published.	T ²
	HO	U.S. Appln No. 09/051,263, Response to Restriction Requirement dated August 8, 2008, 1 page total	
	HP	U.S. Appln No. 09/051,263, Restriction Requirement dated April 8, 2008, 16 pages total	
	HQ	U.S. Appln No. 09/051,263, Non-Final Office Action dated December 27, 2006, 23 pages total	
	HR	U.S. Appln No. 09/051,263, Restriction Requirement dated June 12, 2006, 6 pages total	
	HS	U.S. Appln No. 09/124,623, Amendment dated April 29, 2002, 11 pages total	
	HT	U.S. Appln No. 09/124,623, Amendment dated December 6, 2002, 2 pages total	
	HU	U.S. Appln No. 09/124,623, Notice of Abandonment dated September 14, 2000, 2 pages total	
	HV	U.S. Appln No. 09/124,623, Notice of Allowance dated September 9, 2002, 2 pages total	
	HW	U.S. Appln No. 09/124,623, Office Action dated January 31, 2000, 5 pages total	
	HX	U.S. Appln No. 09/124,623, Office Action dated June 10, 2003, 2 pages total	

Examiner Signature		Date Considered	
-----------------------	--	--------------------	--

*EXAMINER: Initial if reference considered, whether or not citation is in conformance with MPEP 609. Draw line through citation if not in conformance and not considered. Include copy of this form with next communication to applicant.

¹ Applicant's unique citation designation number (optional). ² Applicant is to place a check mark here if English language Translation is attached.

Substitute for form 1449/PTO				Complete if Known	
INFORMATION DISCLOSURE STATEMENT BY APPLICANT <i>(Use as many sheets as necessary)</i>				Application Number	90/008,227 merged w/ 90/010,562
				Filing Date	21 Sep. 2006 and 29 May 2006
				First Named Inventor	----
				Art Unit	3992
				Examiner Name	Joseph R. Pokrzywa
Sheet	15	of	15	Attorney Docket Number	0081-011D3C1X1

NON PATENT LITERATURE DOCUMENTS			
Examiner Initials *	Cite No. ¹	Include name of the author (in CAPITAL LETTERS), title of the article (when appropriate), title of the item (book, magazine, journal, serial, symposium, catalog, etc.), date, page(s), volume-issue number(s), publisher, city and/or country where published.	T ²
	HY	Alliacense US Patent 6,598,148 Product Report, Toshiba MPEG-4 CODEC TC35280 (T4) MPEG-4 Audiovisual Code LSI (2006) 14 pages	

Examiner Signature	Date Considered
-----------------------	--------------------

*EXAMINER: Initial if reference considered, whether or not citation is in conformance with MPEP 609. Draw line through citation if not in conformance and not considered. Include copy of this form with next communication to applicant.

¹ Applicant's unique citation designation number (optional). ² Applicant is to place a check mark here if English language Translation is attached.

EUROPEAN PATENT APPLICATION

Application number: 87430014.8

Int. Cl.4: **G06F 13/34**

Date of filing: 22.04.87

Date of publication of application:
02.11.88 Bulletin 88/44

Designated Contracting States:
DE FR GB IT

Applicant: **International Business Machines Corporation**
Old Orchard Road
Armonk, N.Y. 10504(US)

Inventor: **Gach, Alain**
2224, av. Emile Hugues
F-06140 Vence(FR)
Inventor: **Hartmann, Yves**
704, av. de Provence
F-06140 Vence(FR)
Inventor: **Peypronnenc, Michel**
Font de la Peiro
F-06640 St. Jeannet(FR)

Representative: **Lattard, Nicole**
Compagnie IBM France Département de
Propriété Intellectuelle
F-06610 La Gaude(FR)

Memory control subsystem.

The memory control subsystem controls and arbitrates the access to a memory 10 which is shared by a plurality of users comprising at least a processor 2 with its cache and input/output devices 4 having direct access to the memory through a direct memory access bus 12.

It comprises a processor controller 20, a DMA controller 22 and a memory controller 24.

A processor request is buffered into the processor controller 20 and is serviced right away if the memory controller is available, possibly with a simultaneous transfer between the devices 4 and buffers in the DMA controller 22. If the memory controller 24 is busy, because a DMA request is being serviced, the DMA controller comprises means to cause the DMA transfer to be interrupted, the processor request to be serviced and the DMA transfer to be resumed afterwards.

Write requests made by the processor are buffered into processor controller 20 and an acknowledgement signal is sent to the processor which can resume execution without waiting the memory up-

date completion. A read request which does not hit the cache is sent to the processor controller which causes the cache to be updated.

In case of multiple processor requests contending with a long DMA transfer, the latter is sliced into several parts, each part mapping one cache line. In case of a DMA write, the cache lines which correspond to memory positions whose content is modified by the write operation are invalidated in such a way that the processor cannot read a partially written line into the cache.

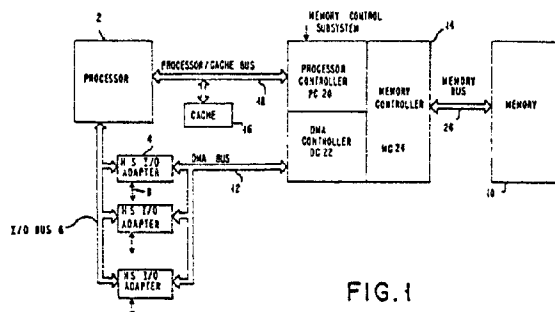


FIG. 1

EP 0 288 649 A1

MEMORY CONTROL SUBSYSTEM

Field of the invention

This invention relates to a memory control subsystem for arbitrating and controlling the access to a multi-port memory which is shared by a plurality of users comprising at least one processor with its cache and units having direct access to the memory.

Background art

The present invention is to be incorporated in a system wherein a memory is shared by a plurality of users, namely a special or multi-purpose processor, its cache and a direct memory access DMA bus on which high speed input/output I/O devices such as adapters, are connected. It can be extended to a multi-processor, multi-DMA bus memory subsystem.

In such an environment, a conventional multi-port memory control subsystem may be of two kinds, with respect to the processor/cache/DMA access arbitration.

First, if the I/O adapters transfer single words to/from the memory, the memory subsystem controller usually gives I/O adapters access to the memory through cycle steal operations. This method is only acceptable for small systems where only little I/O bandwidth is needed. Connecting more adapters to the DMA bus soon ends up in I/O adapters struggling for that bus and the processor slowed down below a reasonable limit. In the overall system, the memory subsystem controller becomes the bottleneck.

Second, if the I/O adapters transfer bursts of several words to/from the memory and if the I/O bandwidth must be maximized, the maximum burst length is increased to a fairly high value such as 128 or 256 bytes. This raises a priority problem. If priority is given to an I/O adapter for the duration of one burst transfer, the processor is stopped and has to wait for a tremendous amount of time before it can access to the memory.

On the other hand, giving priority to the processor limits the effective I/O bandwidth and response time which increases the risk of I/O overrun and once the I/O adapter is finally granted access to the memory, any new processor request still has to wait the same excessive amount of time. At this point, the system designer makes a trade off between I/O bandwidth and processor response time,

such as reducing the allowable I/O burst length and implementing an alternate priority scheme between the I/O adapters and processor. While better than previous methods, this does not yet optimize the I/O bandwidth.

Furthermore, some processors lose time in controlling the cache, each time it must be loaded. In addition, logic circuitry must be added and more processor time wasted in controlling cache line invalidation, i.e. preserving coherency between the cache and memory contents.

Summary of the invention

An object of the present invention is to provide an efficient and simple memory controller to be used in a system wherein a plurality of users share a common memory, said users comprising at least one processor with its cache and units such as input/output I/O adapters connected to the memory through at least one direct access memory bus.

Another object of the invention is to provide such a memory controller which ensures a short processor response time while allowing transfer of large bursts of data between the memory and the I/O adapters.

Another object of the invention is to provide such a memory controller wherein no processor time is wasted in cache housekeeping tasks.

Still another object of the invention is to provide such a memory controller which comprises means for preserving the memory/cache coherency.

Another object of the invention is to provide such a memory controller in which there is a maximum parallelism between the processor and I/O adapter operations.

The memory control subsystem according to the present invention is to be used in a data handling system comprising a memory which may be accessed by a plurality of users comprising at least one processor with a cache storing means organized in cache lines storing at least one word of the memory content, said cache storing means providing a cache hit or cache miss control signal depending whether a processor request for a memory access hits the cache storing means or not, and at least one direct memory access bus through which input/output devices which have direct access to the memory are connected, said users making requests to gain access to the memory.

Said memory control subsystem comprises

memory access controlling means, processor controlling means and direct access memory controlling means.

The memory access controlling means (24) are responsive to the user requests to grant access to the memory to a selected user and control the memory write or read operations requested by the selected user,

The processor controlling means comprises:

- memory write control means which are responsive to a memory request from the processor calling for a write operation at a selected memory address to cause an acknowledgement signal to be sent to the processor so that the processor may resume its operation immediately, and the memory address and data relative to the memory request to be stacked so that the memory request may be serviced by the memory controlling means when available,
- memory read control means which are responsive to the memory requests from the processor calling for a read operation of a word at a selected memory address for which the cache miss control signal is active to cause the addresses of the words of the cache line comprising the addressed word to be buffered and sent to the memory controlling means when available and the data read from these addresses to be sent to the processor and to the cache storing means.

The direct access memory controlling means comprises:

- data buffering means able to store data bursts from the input/output devices to be stored into the memory or from the memory to be sent to the input/output devices, through the DMA bus, said direct memory access controlling means generating a memory access request signal when the burst is ready to be transferred from the memory into the buffering means or when it is ready to be transferred from the buffering means into the memory,
- means which are responsive to the memory access requests from the processor to cause the memory transfer initiated by the direct memory access controlling means to be interrupted at a cache line boundary to service the processor request and resume the burst transfer afterwards,
- means for invalidating the cache lines cor-

responding to the memory addresses, the content of which are modified by memory write operations initiated by the direct memory access controlling means.

Brief description of the figures

Figure 1 represents the general arrangement of a system which may incorporate the present invention.

Figure 2 represents the memory control subsystem in more details.

Figure 3 represents the memory controller MC 24 of figure 2.

Figure 4 represents the processor controller PC 20 of figure 2.

Figure 5 represents the direct memory access controller MC 22 of figure 2.

Detailed description of the invention

Figure 1 shows the overall configuration of the system incorporating the present invention and shows the partitioning of the memory control subsystem according to the present invention in three functional units.

The processor 2 which may be the central control unit of a communication controller is attached to I/O adapters 4 through I/O bus 6. The I/O bus is used for exchanging control and address information between the processor and the adapters. The adapters are assumed to be high speed adapters which receive and transmit bits from/to high speed lines 8. The receive and transmit bit streams are stored into the system memory 10 through the direct memory access DMA bus 12. Once granted access to the bus, the adapters begin a transfer by presenting on the DMA bus the starting storage address together with the burst length.

The memory 10 can be of any type (static or dynamic). It is assumed to have a page mode facility in which contiguous words are accessed faster and to be four bytes (i.e. a word) wide, but any other configuration can be matched.

Accesses to the memory 10 are controlled by the memory control subsystem 14. As seen from the memory subsystem 14, the processor 2 accesses the memory with a variety of load and store instructions. The processor cache 16 can be fully or set associative, its lines are of N bytes. For the sake of simplicity it is assumed that N is equal to 16 i.e. four words. The cache may be of one of the two conventional types. If write requests are per-

formed in both cache 16 and memory 10, the cache is a write thru cache. If the write requests are performed in cache 16 only and memory is updated at cache line replacement time, the cache is a write back cache.

The cache 16 and processor 2 are connected to the memory control subsystem through processor/cache bus 18.

As schematically shown in figure 1, the memory control subsystem is partitioned in three functional units, namely the processor controller PC 20, the DMA controller DC 22 and the memory controller MC 24. The arrangement of the three functional units of the memory control subsystem is shown in figure 2.

Before describing figure 2, the transmit and receive processes which may be implemented for transmitting and receiving data bit streams to and from a selected line connected to a selected adapter will be briefly described.

For example, a transmit operation which causes the transfer of a data burst from the processor to a selected adapter is initiated in the following way. The processor causes the data burst to be stored into memory 10 from a starting address. It sends a TRANSMIT command to the selected adapter through bus 6. The TRANSMIT command, starting address and burst length are sent by the selected adapter to DMA controller DC 22 through the DMA bus 12.

Then, DMA controller 22 causes the data burst to be transferred from memory 10 to DMA buffers in controller 22 and then to the selected adapter.

A receive operation which causes the transfer of a data burst received by an adapter to the memory is initiated in the following way. The processor sends a RECEIVE command to the selected adapter and then the starting address in the memory from which the data burst is to be stored, and the burst length. This information is sent to the DMA controller 22 and the data burst is stored into the DMA buffers. When the complete burst is received, it is transferred to memory 10.

The memory controller 24 controls the accesses to the memory with the help of an error correction code mechanism 30 and a memory control circuit 32. The data which are to be written into or read from the memory are provided on data lines 34 of memory bus 26. The memory address is provided on address lines 36.

Logic circuit 38 receives and arbitrates the memory access requests from the processor controller 20 and DMA controller 22 and generates timing signal on bus 39 to control the sequence of operations to be performed by processor controller 20 and DMA controller 22. Bus 39 comprises a plurality of lines. A sequencer generates an active signal on one of the bus line to start a specific

operation. In the drawing, only one line 39 is shown.

To do this, it receives the processor request signals on line 40 and the READ/WRITE control signal on line 41 from the processor controller 20, the DMA request signals on line 42 from the DMA controller 22, the processor LAST OPERATION signal on line 44 and the DMA LAST OPERATION signal on line 46.

It generates an active signal on processor user line 48 or on DMA user line 50 to grant access to the memory to one user. In case of conflicts, the DMA controller and the processor controller requests are serviced alternatively. If a plurality of processor users and DMA users are provided, a priority between the different users is established, so that one user request may be selected.

The one selected by the memory controller MC 24 to be the memory user, can request service as long as it wants until it relinquishes the memory by activating its LAST OPERATION line, as will be described later on.

The processor controller PC 20 comprises data register means 51 which stores the data to be written into or read from the memory. As schematically represented in figure 2, the data register means 51 are connected to processor 2 by the data lines 52 of the processor bus 18 and is connected to the error correction mechanism 30 through bus 54.

The memory addresses are provided by the processor through the address lines 58 of processor bus 18 to memory address register 60. The memory address is also provided to cache invalidation register 64 to cause a cache line to be invalidated in specific conditions as will be described later on.

Processor controller 20 comprises a logic arrangement 66, which receives the memory request signal on line 68 from processor 2. The data and address relative to a memory request may be stacked if the memory controller 24 is busy. When the processor requests an access to the memory, it sends a memory request signal on line 68, a READ/WRITE control signal on line 69 and the memory address which is to be accessed on lines 58. These signals and address are provided to the cache 16. In a preferred embodiment of the invention, a memory request from the processor causes one word, i.e four bytes to be transferred between the processor and memory.

Logic circuit 66 in processor controller receives a cache MISS control signal on line 70 which is activated when a processor request address does not hit the cache, which means that at that time the addressed position is not in the cache.

A write request, no matter if the cache MISS signal on line 70 is activated or not, is buffered,

and an acknowledgement signal is sent by the processor controller 20 on ACK line 72, to the processor 2.

The effective write operation will take place when the memory controller 24 is available .

A READ request for which the cache MISS signal is not activated which corresponds to a READ HIT is simply discarded by processor controller PC 20 since in that case, the memory has not to be accessed.

A READ request for which the cache MISS signal is activated, is buffered. In that case, the processor controller 20 causes the missing line to be loaded into cache 16 with the help of DATA VALID tag on line 74.

Thus cache 16 is controlled by processor controller PC 20 and its operation is completely transparent to the processor 2.

Processor controller 20 stacks the cache invalidation requests sent by direct memory access controller 22 on line 76. Thus an invalidation control signal is used to cause the cache lines to be invalidated when a direct memory access operation is performed on memory positions which at that time are in cache 16. An invalidation is performed by processor controller 20 which sends the memory address to the cache 16 by means of register 64 while activating the LINE INVALIDATE tag on line 78. If the addressed line is in the cache, its corresponding cache directory entry is erased. If not, the operation has no effect,

DMA controller DC 22 comprises DMA buffers 80, in which a DMA burst received from or to be sent on bus 12 through data register 82 can be temporarily stored. During the read or write data transfer between adapter 4 and the DMA buffers 80, memory controller is not involved and it can service the processor requests.

DMA controller DC 22 comprises a memory address counter 84 and a DC to MC transfer counter 86. Counter 84 is connected to DMA bus 12 and contains the memory address. Thus the memory address counter content is provided to memory control circuit 32 through bus 62. The data to be written into or read from the memory are sent from DMA buffers 80 or written into DMA buffers 80 through bus 54.

As can be seen in figure 2, processor controller PC 20 and DMA controller DC 22 share the same address bus 62 to the memory controller. Thus, during a DMA write operation, processor controller 20 can steal the address going from DMA controller 22 to memory controller 24 when requested by the INVALIDATION request on line 76, without any extra control, time lost or special protocol. This address sampling is completely transparent to the memory controller 24.

Logic circuit 88 receives the processor request

signals on line 40, the DMA user signals on line 50 and the DMA write control signal from bus 12 and generates the DMA request signals on line 42, the DMA LAST OPERATION on line 46 and the INVALIDATION request signal on line 76.

The processor request line 40 is provided not only to the memory controller MC 24 but also to direct memory access controller 22. The DMA request from DMA controller on line 42 is provided to memory controller 24 which causes the processor request or DMA request to be selected and which causes a grant signal on PROCESSOR USER or DMA USER lines 48 or 50 to be activated.

During the DMA transfer i.e. the data transfer between the DMA buffers and memory 10 through the data paths shown in figure 2 and memory bus 26, DMA controller 22 makes use of a slicing facility.

As long as processor request line 40 is inactive, the DMA transfer goes on.

If a processor request shows up during the DMA transfer, DMA controller slices its buffer at the next cache line boundary. This is performed by activating the LAST OPERATION control line 46 when hitting the last word in the current cache line. For cache line comprising N=16 bytes, the least significant bits of the address of this word are equal to 1100 and for cache line of N=32 bytes, they are equal to 11100.

This has the effect of temporarily terminating the DMA transfer. However, when memory controller 24 begins servicing processor 2, which is sensed by monitoring the processor request line 40 which drops, DMA controller 22 activates its request line 42. Thus as soon as the processor request is serviced, memory controller 24 grants the DMA controller request. Thus DMA controller 22 resumes its burst transfer by starting reading or writing a new line. The least significant bits of the address of this new line are 0000 for N=16 bytes and 00000 for N=32 bytes.

Once again, if another processor request comes along, DMA controller 22 slices its burst at the next cache line boundary i.e at the next occurrences of four least significant bits equal to 1100 for N=16 bytes or of five least significant bits equal to 11100 for N=32 bytes, i.e at least four words transferred for N=16 and eight words transmitted for N=32.

Otherwise, the DMA transfer goes on until completed.

According to the present invention, the memory controller logic circuit 38, which is shown in figure 3, comprises an arbiter circuit 100 which receives the PROCESSOR REQUEST and DMA REQUEST signals on lines 40 and 42 and the PROCESSOR LAST OPERATION and DMA LAST OPERATION on lines 44 and 46 and provides an

active PROCESSOR USER or DMA USER signal on line 48 or 50. In case of conflicts between two requests, the signal on line 48 or 50 becomes active alternatively, to service the processor controller and DMA controller alternatively.

As soon as a request signal appears on line 40 or 42, REQUEST line 102 is activated to start the operation of sequencer 104.

READ/WRITE control signal on line 41, PROCESSOR LAST OPERATION signal on line 44 and DMA LAST OPERATION signal on line 46 are provided to sequencer 104 which generates the timing signals on line 39 therefrom, to control the operations to be performed by logic circuits 66 and 88. It also generates active signals on lines 106 and 108 to control the gating into latch assemblies 110 and 112 of the address bits on bus 62 to be sent to memory control circuit 32 and of the data bits which are received from circuit 30 or to be sent to circuit 30.

Logic circuit 66 will now be described in reference to figure 4.

It comprises CACHE LINE INVALIDATION circuit 200 which generates the LINE INVALIDATE signal on line 78 and causes the address on the PROCESSOR/DMA bus 62 to be provided into CACHE INVALIDATION register 64.

Circuit 200 comprises inverter 202 which provides an active signal to one input of AND gate 204 when the PROCESSOR USER signal on line 48 is inactive. LINE INVALIDATION REQUEST line 76 is provided to the second input of AND gate 204.

When this line becomes active, latch 206 is set and provides an active signal on its LINE INVALIDATE output line 78. This signal is also provided to latch assembly 208, which stores the address bits on bus 62. The address bits are transferred into cache invalidation register 64 through drivers 210. Thus the memory address is provided to the cache directory (not shown) and if the addressed memory position is in the cache, the cache line is invalidated.

When processor controller is inactive, a signal on IDLE line 212 conditions AND gates 214 and 216. The MEMORY REQUEST signal on line 68 from processor 2 is provided to one input of AND gates 214 and 216.

READ/WRITE control signal on line 69 is provided to AND gate 216 together with the CACHE MISS signal on line 70. It is assumed that a READ/WRITE control signal at an UP level is a READ control signal. Thus when the memory request is a memory READ request, AND gate 216 provides an active READ signal on its output line 218.

Signal on line 69 is inverted in inverter 220, the output signal of which is provided to AND gate 214 which generates an active WRITE signal on line

220. The active signal on line 220 sets latch 222 which generates the ACKNOWLEDGEMENT signal on line 72, which is sent to processor 2.

The active READ signal on line 218 sets latch 224. The output signals of latches 222 and 224 are ORed in OR gate 226, which provides the PROCESSOR REQUEST signal on its output line 40 to logic circuit 38 of memory controller 24.

The output signal of latch 222 inverted by inverter 228 and the output signal of latch 224 are ORed in OR gate 230 which provides the READ/WRITE control signal on line 41 to logic circuit 38 of memory controller 24.

PROCESSOR REQUEST signal on line 40 is latched into latch 232.

The signals on lines 220 and 218 are ORed in OR gate 234, which provides an active signal on its output line 236 when a READ or a WRITE operation is requested by the processor. This signal causes the content of memory address register 60 to be stored into latch assembly 238.

If a WRITE operation is requested, the active signal on line 220 causes the content of data in register 51 (which contains the data to be written into memory 10) to be loaded into latch assembly 240.

The output signal of latch 232, the PROCESSOR USER signal on line 48 and a timing signal on line 39 which comes from sequencer 104 of memory controller 24, are provided to AND gate 242.

The active signal at the output line 244 of AND gate 242 is provided to drivers 246 which causes the address bits contained in latch assembly 238 to be provided on address bus 62 to memory controller 24.

The signal on line 244 is provided to AND gate 247 which is conditioned by the WRITE signal on line 220.

Thus, when a WRITE operation is requested, the active signal at the output of AND gate 247 causes the data bit contained in latch assembly 240 to be provided on data bus 54 to memory controller to perform the write operation.

The output signal on line 244 is provided to one input of OR gate 250, which generates an active output signal on its output line 44. This signal indicates that the WRITE operation is completed.

If a READ operation is requested, assuming that the CACHE MISS signal on line 70 is active, the missing line which is assumed to contain four memory words, is to be loaded into cache 16, with the help of DATA VALID tag on line 74.

In that case, four words have to be read from the memory and transferred to cache 16.

The loading operation is performed under the control of cache line word counter 251 which is set to "4" by the READ signal on line 218.

The timing signals on line 39 control the loading operation. The active output signals of AND gate 244 causes counter 251 to be decremented and the address value in latch assembly 238 to be incremented.

Thus, four words in the memory are successively addressed by sending the four word addresses on bus 62 through drivers 246. The data stored into the addressed memory locations are read and transferred from error correction circuit 30 on bus 54.

When the content of counter 251 becomes equal to 0, an active signal is generated on line 253. This signal is provided through OR circuit 250 to LAST OPERATION line 44.

AND gate 252 receives the output signal on line 244 and is conditioned by the READ signal from line 218, so as to provide an active signal which is applied to drivers 254. Thus, the data words which are read from memory 10 are transferred from bus 54 into data out register 51 through drivers 254 to be sent on processor/cache bus 52. Each time a data word transfer occurs, the output signal from AND gate 254 is active. This signal is used as the DATA VALID tag which causes the data on bus 52 to be written into the cache.

Logic circuit 88 of DMA controller 22 will now be described in reference to figure 5.

Before the DMA burst transfers between the DMA controller 22 and memory controller 24, the memory address register 84 is set to the value of the starting address in the memory which is assigned to the burst and the DC to MC transfer counter 86 is set the value of the burst length expressed in number of words to be transferred. This is done through the DMA exchange protocol on the DMA bus and is not described in details since this is not part of the present invention.

Then, once the DMA transfer is initiated, i.e. once DMA user line 50 from logic 38 (figure 2) is activated, the content of memory address counter 84 is incremented and the content of DC to MC counter 86 is decremented each time a word is transferred, thanks to a timing signal from line 39.

Decoders 300 and 302 decode the content of counters 86 and 84 respectively.

Decoder 300 provides an active signal on line 304 when the content of counter 86 is found equal to zero meaning that the DMA transfer is completed. This is the normal LAST OPERATION signal. It also provides an active signal on line 306 when the content of counter 86 is found higher than a threshold value, which, in a preferred embodiment of the present invention is set equal to 3, meaning that more than three words are still to be transferred.

Line 306, PROCESSOR REQUEST line 40 and DMA USER line 50 are applied to AND gate 308,

which thus provides an active signal on its output line 310 when a memory service request from the processor occurs in the case where more than three words have still to be transferred.

In that case, the processor request is to be serviced and the DMA transfer is to be interrupted. The active signal on line 310 sets latch 312.

At the address of the next cache line boundary, which is indicated by an active signal on output line 314 of decoder 302, AND gate 316 provides an active signal on line 318. This signal indicates that the DMA transfer is to be interrupted.

Lines 318 and 304 are applied to OR gate 320 which provides an active signal on line 322 to indicate a normal or temporary last operation. This signal sets latch 324 which provides on its output line 52 the DMA LAST OPERATION signal.

When the DMA transfer is to be interrupted, the memory controller deactivates the DMA USER line 50. Thus an active signal is provided by inverter 326 which inverts the DMA USER signal. The signal on line 304 which is not active at that time, since the content of counter is higher than 3, is inverted in inverter 328. The output lines of inverters 326 and 328 are provided together with the output line of latch 312 to AND gate 330. Thus, AND gate 330 provides an active signal which is transmitted through OR gate 332 to set latch 334. Latch 334 provides an active DMA request signal on line 42, which will be taken into account once the processor request is serviced.

The DMA controller is ready to restart the data burst transfer as soon as the DMA user line is activated again by memory controller 24 when the processor user data transfer is ended.

OR gate 332 receives on its second input, the normal DMA request signal on line 336, which is activated to initiate a transfer, i.e. when a TRANSMIT command is received from the processor through the adapter and DMA bus to initiate the transfer of a data burst from memory to DMA buffers or when a RECEIVE command is received from the processor through the adapter or DMA bus and when the data burst is stored into the DMA buffers 80. This signal is generated by DMA COMMAND DECODE circuit 337 which decodes the commands received from bus 12.

In logic 88, the line invalidation circuit comprises AND gates 336 and 342, OR gate 338 and latch 340.

The two least significant bits LSB of the first memory word address which is the burst starting address can be any of the four combinations 00, 01, 10, 11 but this word belongs to a line of the cache which must be invalidated.

The normal start of transfer signal on line 336 sets latch 340, through OR gate 338. The output signal of latch 340 is provided together with the

DMA USER signal on line 50 to AND gate 342 which is conditioned by the DMA WRITE control signal on line 348 from decode circuit 337. and which provides an active INVALIDATION REQUEST signal on line 38, as soon as the first address is sent to memory controller.

From the second transfer to the last one, the INVALIDATION REQUEST line will be activated at each cache line boundary, which corresponds to LSB bits 11 of the word address. To do this, AND gate 336 is conditioned by an active signal provided on output line 346 of decoder 302 when the two LSB bits of the address are 11. The DMA WRITE control signal on line 348 and the DMA USER signal on line 50 are provided to AND gate 336. The output line 350 of AND gate 336 is provided to OR gate 338, to set latch 340 each time the LINE INVALIDATION REQUEST signal is to be activated.

It is to be noticed that if the two LSB bits of the first transfer word address are 10, the two LSB bits of the second transfer word address will be 11 and in that case two consecutive invalidations will be performed.

Claims

1. Memory control subsystem to be used in a data handling system comprising a memory (10) which may be accessed by a plurality of users comprising at least one processor (2) with a cache storing means (16) organized in cache lines storing at least one word of the memory content, said cache storing means providing a cache hit or cache miss control signal depending whether a processor request for a memory access hits the cache storing means or not, and at least one direct memory access DMA bus (12) to which input/output devices which have direct access to the memory are connected, said users making requests to gain access to the memory, said memory control subsystem being characterized in that it comprises:

- memory access controlling means (24) which are responsive to the user requests to grant access to the memory to a selected user and which control the memory write or read operations by a selected user,

- processor controlling means (20) comprising

- memory write control means (216,214,222,238,240) which are responsive to a memory request from the processor calling for a write operation at a selected memory address to cause an acknowledge-

ment signal to be sent to the processor, so that the processor may resume its operation immediately, and the memory address and data relative to the memory request to be stacked so that the memory request may be serviced by the memory controller when available,

- memory read control means (216,238,244,252,254) which are responsive to the memory requests from the processor calling for a read operation of a word at a selected memory address for which the cache miss control signal is active, to cause the addresses of the words of the cache line comprising the addressed word to be buffered and sent to the memory controller when available and the data read from these addresses to be sent to the processor and to the cache storing means,

- direct memory access controlling means (22) comprising:

- data buffering means (80) able to store data bursts from the input/output devices to be stored into the memory or from the memory to be sent to the input/output devices, through the DMA bus, said direct memory access controlling means generating a memory access request signal, when the burst is ready to be transferred from the memory into the buffering means or when it is ready to be transferred from the buffering means into the memory,

- means (308,330,334,316,324) which are responsive to the memory access requests from the processor to cause the memory transfer initiated by the direct memory access controller to be interrupted at a cache line boundary to service the processor request and resume the burst transfer afterwards,

- means (336,340,342) for invalidating the cache lines corresponding to the memory addresses the content of which are modified by memory write operations initiated by the direct memory access controller

2. Memory control subsystem according to claim 1 characterized in that the memory access controlling means comprises:

arbitrating means (100) having a plurality of inputs which receives the requests from the memory users and a plurality of outputs, said means generating an active signal on one of the said outputs

depending upon which memory user request is to be serviced,

sequencing means (104) which are activated as soon as a request is made by one user to provide timing signals to the processor controlling means and to the direct memory access controlling means to control the sequence of operations of the said means.

3. Memory control subsystem according to claim 2 characterized in that the memory write control means comprises:

data register means (51) which receives from the processor the data words to be written into the memory,

address register means (60) which receives from the processor the addresses where the data words are to be written,

write control logic means (214, 222) which is responsive to the write memory request (68,69) from the processor to generate a write control signal and the acknowledgment signal which is sent to the processor,

address storing means (238) which are activated by the write control signal to store the content of the address register means,

data storing means (240) which are activated by the write control signal to store the content of the data register means,

write control gating means (242,246,247,248) which are responsive to the write control signal and to the timing signals to transfer the content of the address and data storing means to the memory access controlling means when available,

end of operation detecting means (244,250) which detects that the data transfer between the processor and the memory is completed, to provide a processor last operation signal indicative that the transfer is completed.

4. Memory control subsystem according to claim 3 characterized in that the memory read control means comprises:

memory read control means (218,224,238) which are responsive to the read memory request and to the read miss control signal from the cache, to generate a read control signal which causes the address register content to be loaded into the address storing means

read counting means (252) which are set by the

read control signal to a value equal to the number of word(s) in the cache lines,

word reading means (242) which are responsive to timing signals from the memory access controlling means and which generates a number of active signals equal to the number of words in the cache lines, each signal causing the address stored into the address storing means to be sent to the memory access controlling means and the data read from this address to be transferred to the processor through the data register means, the content of the counting means to be changed by 1, and the content of the address storing means to be incremented until a number of words equal to the number of words of the cache lines is read from the memory and stored into the cache,

end of read operation detecting means (253,250) which are responsive to the read counting means to generate a signal which is indicative of the last operation of the processor when the said number of words has been transferred.

5. Memory control subsystem according to any of claims 2 to 4 characterized in that the direct memory access controlling means comprises:

burst transfer counting means (86) connected to the direct access memory bus for storing the number of the words comprising a data burst to be transferred during a direct memory access operation,

memory address counting means (84) connected to the direct memory access bus for storing the starting address in the memory which is assigned to said burst, the content of said means being changed by 1 each time a data word from the burst is transferred to or from the memory,

direct memory access interrupting means (308,312,316) which are active when a direct memory access request is being serviced by the memory access controlling means and when the content of the memory address counting means is different from a given threshold, said means being responsive to a memory access request from the processor(s) to cause the direct memory access transfer to be interrupted by generating a DMA end of operation signal indicative of a last operation made by the direct memory access controlling means, and the processor request to be serviced by the memory access controlling means,

transfer resuming control means (330,332) which are responsive to the DMA grant signal (50) from the memory access controlling means to cause a DMA request to be raised and sent to the memory

access controlling means so that the DMA transfer may be resumed once the processor request was serviced.

6. Memory control subsystem according to claim 4 or 5 characterized in that the direct memory access controlling means comprises end of transfer detecting means (300) which are responsive to the content of the burst transfer counting means to generate a signal indicative of the end of the burst transfer.

5
10

7. Memory control subsystem according to anyone of claims 4 to 7 characterized in that the direct memory access controlling means comprises:

15

decoding means (302) which are responsive to the content of the memory address counting means for generating an active signal at the boundary of a cache line, said signal being provided to the first logic means and causing the DMA end of operation signal to be activated at the boundary of a cache line.

20

8. Memory control subsystem according to any one of claims 4 to 7 characterized in that the direct memory access controlling means comprises:

25

line invalidating means (340) which detects the start of transfer of the DMA burst to be stored into the memory, to cause an invalidation request signal to be sent to the processor controlling means, and the memory address counting means content to be sent to the processor controlling means which causes the cache line comprising the addressed word to be invalidated in the cache,

30

35

decoding means (302,314) which are responsive to the content of the memory address counting means which generates an active signal at the cache line boundaries to cause invalidation request signals and the content of the memory address counting means to be sent to the processor controlling means to invalidate each cache line which is modified by the direct memory access transfer.

40

9. Memory control subsystem according to claim 8 characterized in that the processor controlling means comprises invalidation control means (200) which are responsive to the invalidation request signal and which are active when a direct memory access request is being serviced by the memory access controlling means to cause the content of the memory address counting means to be sent to the cache together with the line invalidation request signal.

45

50

55

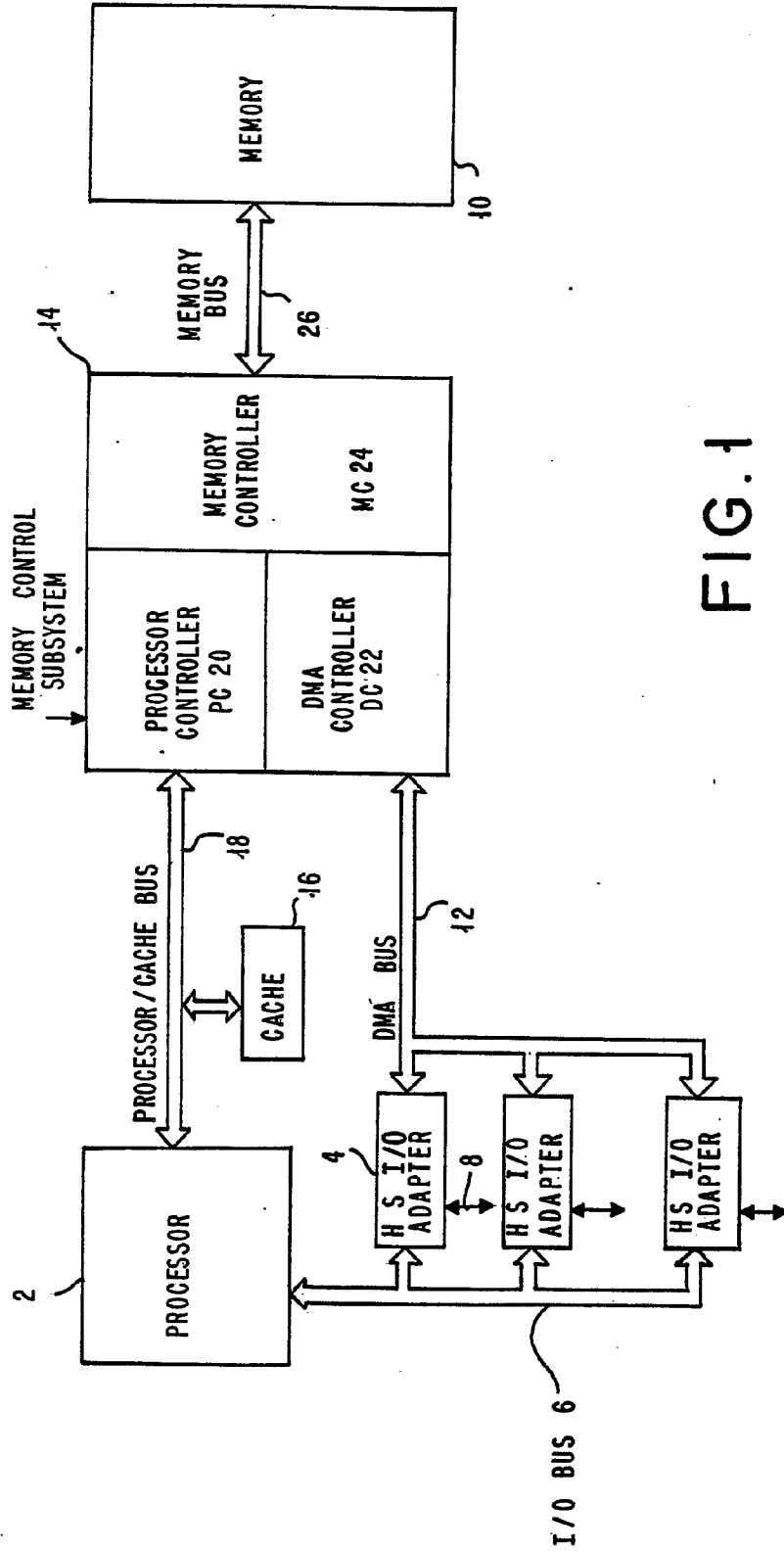


FIG. 1

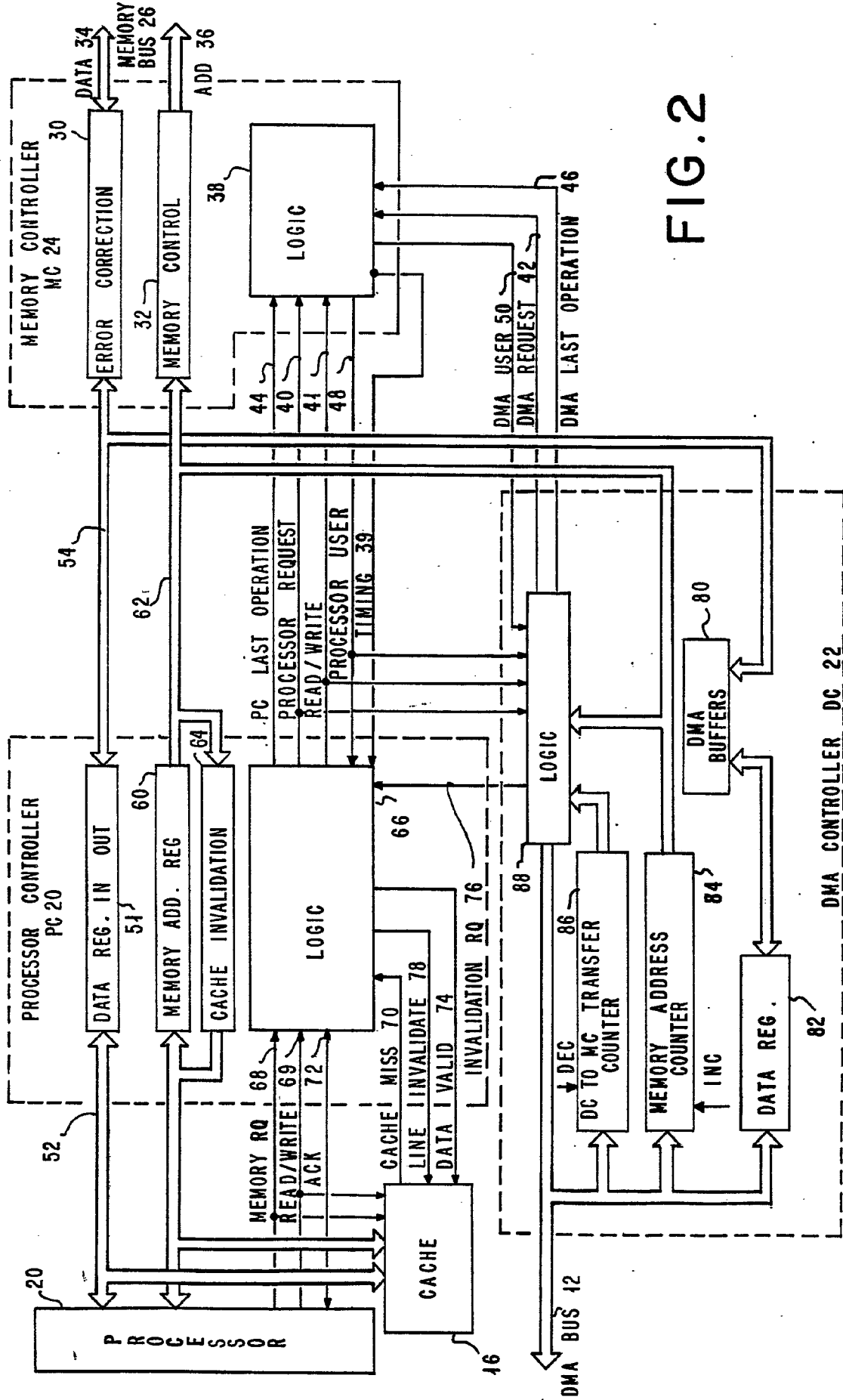
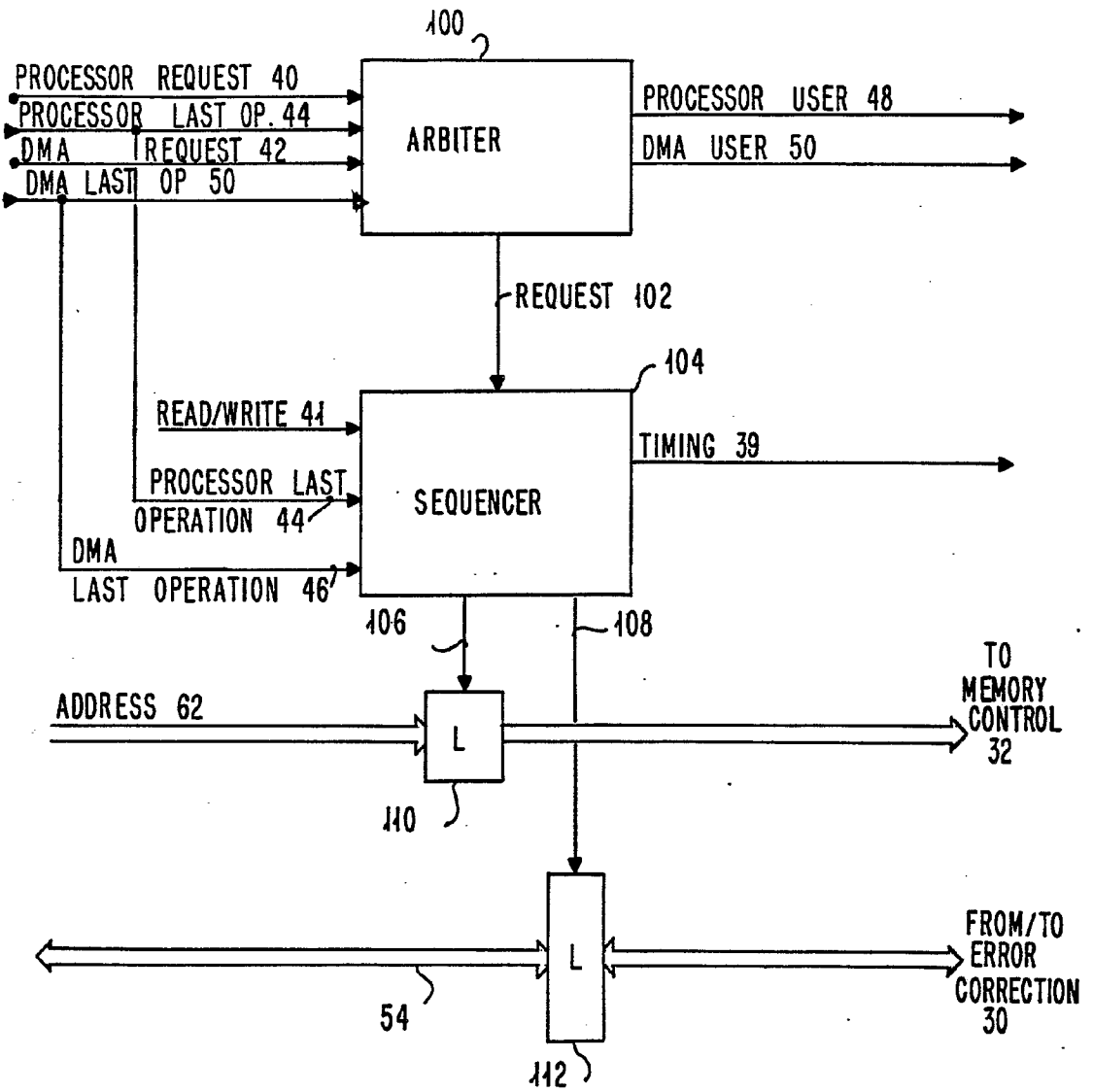


FIG. 2

FIG. 3



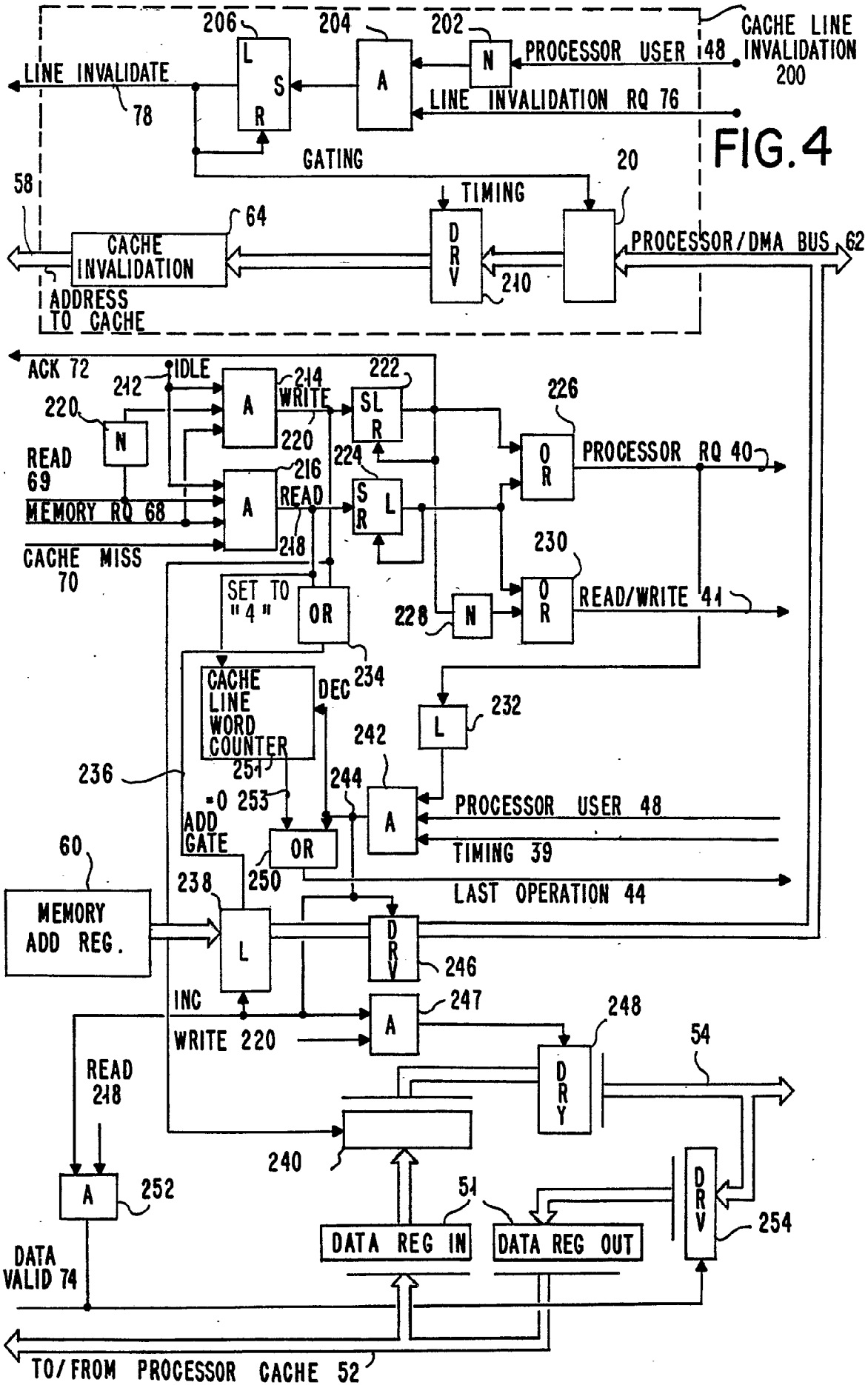
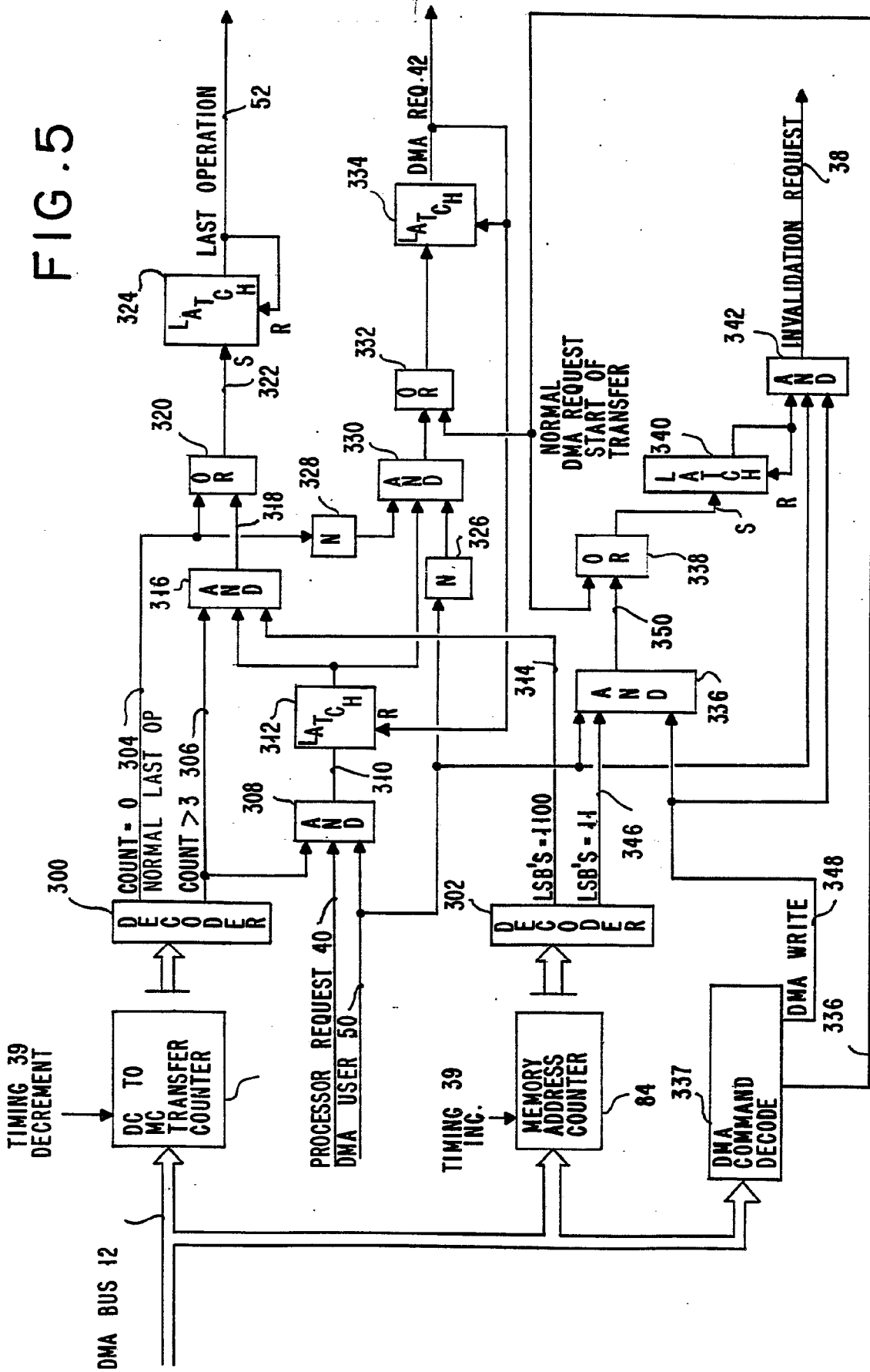


FIG. 5





DOCUMENTS CONSIDERED TO BE RELEVANT			
Category	Citation of document with indication, where appropriate, of relevant passages	Relevant to claim	CLASSIFICATION OF THE APPLICATION (Int. Cl.4)
A	EP-A-0 009 678 (IBM) * Page 9, lines 4-13; claim 1; abstract *	1	G 06 F 13/34

A	EP-A-0 090 575 (WESTERN ELECTRIC CO.) * Claim 1 *	1	

A	US-A-4 598 362 (MORISKIGE KINIO et al.) * Abstract; figure 1 *	1	

A	WO-A-8 102 210 (DIGITAL EQUIPMENT CORP.) * Abstract; page 10, line 24 - page 11, line 17 *	1	

			TECHNICAL FIELDS SEARCHED (Int. Cl.4)
			G 06 F
The present search report has been drawn up for all claims			
Place of search THE HAGUE		Date of completion of the search 26-11-1987	Examiner CHATEAU J.P.
CATEGORY OF CITED DOCUMENTS X : particularly relevant if taken alone Y : particularly relevant if combined with another document of the same category A : technological background O : non-written disclosure P : intermediate document T : theory or principle underlying the invention E : earlier patent document, but published on, or after the filing date D : document cited in the application L : document cited for other reasons & : member of the same patent family, corresponding document			

PATENT ABSTRACTS OF JAPAN

(11)Publication number : 05-189383

(43)Date of publication of application : 30.07.1993

(51)Int.Cl. G06F 15/16

(21)Application number : 04-175248 (71)Applicant : INTERNATL BUSINESS MACH
CORP <IBM>

(22)Date of filing : 02.07.1992 (72)Inventor : FOSTER DAVID J
GARCIA ARMANDO

(30)Priority

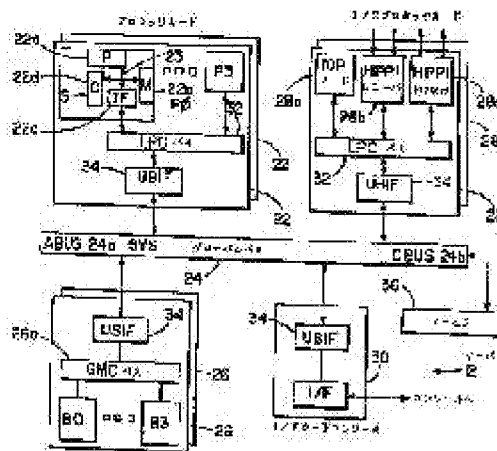
Priority number : 91 733517 Priority date : 22.07.1991 Priority country : US

(54) MULTIPROCESSOR SYSTEM AND INTERFACE DEVICE

(57)Abstract:

PURPOSE: To connect an interface circuit to a system bus having a shared memory by providing the interface circuit with an input connected to a microprocessor device to receive an address signal line and a control signal line.

CONSTITUTION: A global memory state machine of a processor buffered interface 22c receives inputs from a DMA controller and an inter-processor communication register. The control signal line from a local state machine is connected to a local memory 22b, and the control signal line from the global memory state machine is connected to a global bus 24 through a local processor card bus 32 and a universal bus interface 24. The global memory state machine generates a global memory address and a control signal correspondingly to local processors 22a and 28a or in response to the operation of the DMA controller or the like.



I hereby certify that this correspondence is being filed via
EFS-Web with the United States Patent and Trademark Office
on March 16, 2010.

PATENT
Attorney Docket No.: 0081-011D3C1X1

Henneman & Associates, PLC

By: /Larry E. Henneman, Jr./
Larry E. Henneman, Jr.

IN THE UNITED STATES PATENT AND TRADEMARK OFFICE

In re Ex Parte Reexamination:

Control No.: 90/008,227
Filed: September 21, 2006

merged with

Control No.: 90/010,562
Filed: May 29, 2009

For: HIGH PERFORMANCE
MICROPROCESSOR HAVING
VARIABLE SPEED SYSTEM CLOCK

U.S. Patent No. 6,598,148

Examiner: Pokrzywa, Joseph R.

Technology Center/Art Unit: 3992

Customer No. 40972

FIFTH SUPPLEMENTAL
INFORMATION DISCLOSURE
STATEMENT UNDER 37 CFR §1.97 and
§1.98

Mail Stop Ex Parte Reexamination
Central Reexamination Unit
P.O. Box 1450
Alexandria, VA 22313-1450

Commissioner:

In accordance with 37 C.F.R. § 1.555, the references cited on attached forms PTO/SB/08A and PTO/SB/08B are being called to the attention of the Examiner. Copies of the references in compliance with the requirements of 37 CFR §1.98(a)(2) are enclosed.

Related Pending Reexamination Proceedings

In accordance with 37 CFR 1.565(a), Applicants provide the following list of reexamination proceedings involving one or more applications in the family of applications that includes the instant application:

(1) Control No. 90/008,225, filed November 15, 2006, of U.S. Pat. No. 5,784,584. Reexamination Certificate issued July 21, 2009.

(2) Control No. 90/008,299, filed October 19, 2006, of U.S. Pat. No. 5,784,584. Reexamination Certificate issued July 21, 2009.

- (3) Control No. 90/008,237, filed November 17, 2006, of U.S. Pat. No. 5,809,336. Reexamination Certificate issued December 15, 2009.
- (4) Control No. 90/008,306, filed October 19, 2006, of U.S. Pat. No. 5,809,336. Reexamination Certificate issued December 15, 2009.
- (5) Control No. 90/008,474, filed January 30, 2007, of U.S. Pat. No. 5,809,336. Reexamination Certificate issued December 15, 2009.
- (6) Control No. 90/009,457, filed April 24, 2009, of U.S. Pat. No. 5,809,336. Pending as of the instant filing.
- (7) Control No. 90/010,551, filed May 26, 2009, of U.S. Pat. No. 5,809,336. Request for ex parte reexamination denied July 31, 2009.
- (8) Control No. 90/009,034, filed March 31, 2008, of U.S. Pat. No. 5,440,749. Pending as of the instant filing.
- (9) Control No. 90/009,389, filed January 16, 2009, of U.S. Pat. No. 5,440,749. Pending as of the instant filing.
- (10) Control No. 90/010,520, filed April 30, 2009, of U.S. Pat. No. 5,440,749. Pending as of the instant filing.
- (11) Control No. 90/009,388, filed January 16, 2009, of U.S. Pat. No. 5,530,890. Pending as of the instant filing.

Related Litigations

In accordance with 37 CFR 1.565(a), Applicants provide the following list of current and prior litigations involving the instant application and/or one or more applications in the family of applications that includes the instant application. Further, references produced during one or more of these litigations are noted below.

- (1) *Patriot Scientific Corp. v. Fujitsu, et al.*, filed on or about March 11, 2004 in the United States District Court, Northern District of California, Case

No. C03 5787 (SBA/WDB). Notice of Voluntary Dismissal Without Prejudice filed Oct. 24, 2005.

(2) *Patriot Scientific Corp. v. Charles H. Moore, et al.*, filed on or about February 13, 2004 in the United States District Court, Northern District of California, Case No. C04 0618 JF (HRL). Stipulated final judgment that Charles Moore is a co-inventor and that TPL is a co-owner of U.S. 5,809,336 filed June 9, 2005.

(3) *Technology Properties Ltd., et al. v. Matsushita Electrical Industrial Co., Ltd., et al.*, filed October 24, 2005 in the United States District Court, Eastern District of Texas, Case No. 2-05-CV-494 (TJW). Order For Dismissal filed December 20, 2007.

(4) *Toshiba America, Inc. et al. v. Patriot Scientific Corporation, et al.*, filed November 28, 2005 in the United States District Court, Northern District of California, Case No. C05 4838 (MJJ). Joint Stipulation and Order For Dismissal filed Dec. 28, 2007. Notice of Appeal Judgment affirming dismissal issued June 16, 2008.

(5) *Fujitsu Computer Systems Corporation, et al. v. Patriot Scientific Corporation, et al.*, filed November 28, 2005 in the United States District Court, Northern District of California, Case No. C05 4837 (MJJ). Stipulation and Order Dismissing Action filed March 2, 2006.

(6) *JVC Americas Corporation v. Patriot Scientific Corporation, et al.*, filed November 28, 2005 in the United States District Court, Northern District of California, Case No. C05 4845 (MJJ). Joint Stipulation and Order For Dismissal filed Jan. 30, 2008.

(7) *NEC Corporation v. Patriot Scientific Corporation, et al.*, filed November 28, 2005 in the United States District Court, Northern District

of California, Case No. C05 4847 (MJJ). Joint Stipulation and Order For Dismissal filed Jan. 30, 2008.

(8) *Panasonic Corporation v. Patriot Scientific Corporation, et al.*, filed November 28, 2005 in the United States District Court, Northern District of California, Case No. C05 4844 (MJJ). Joint Stipulation and Order For Dismissal filed Jan. 30, 2008.

(9) *Acer, Inc., et al. v. Technology Properties Ltd., et al.*, filed February 8, 2008 in the United States District Court, Northern District of California, Case No. C08 00877 JF (HRL) involving U.S. Patent Nos. 5,784,584 and 5,809,336. Pending.

(10) *Asustek Computer, Inc., et al. v. Technology Properties Ltd., et al.*, filed February 8, 2008 in the United States District Court, Northern District of California, Case No. C08 00884 JF (HRL) involving U.S. Patent Nos. 5,784,584 and 5,809,336. Order of Dismissal filed Feb. 25, 2009.

(11) *HTC Corp., et al. v. Technology Properties Ltd., et al.*, filed February 8, 2008 in the United States District Court, Northern District of California, Case No. C08 00882 JF (HRL) involving U.S. Patent Nos. 5,784,584, 5,809,336, and 6,598,148. Pending.

1. **Related U.S. Application Serial No. 08/480,901**

For this application, the following references were cited in the corresponding Office Actions as noted.

A. Office Action dated November 14, 1995

i. Used to reject one or more claims in that application:

- U.S. 5,148,385 (cite no. DH in attached form 1449)

ii. Cited but not used to reject any claims in that application:

- U.S. 4,450,519 (cite no. BJ in attached form 1449)
- U.S. 4,503,500 (previously cited)

B. Office Action dated July 30, 1996

- i. Used to reject one or more claims in that application:
- U.S. 4,680,698 (previously cited)

2. **Related U.S. Application Serial No. 08/480,911**

For this application, the following references were cited in the corresponding Office Actions as noted.

A. Office Action dated November 15, 1995

- i. Used to reject one or more claims in that application:
- U.S. 4,449,201 (cite no. BI in attached form 1449)
 - U.S. 5,134,701 (cite no. DF in attached form 1449)

B. Office Action dated August 26, 1996

- i. Used to reject one or more claims in that application:
- U.S. 5,081,574 (cite no. DC in attached form 1449)
 - U.S. 5,179,734 (cite no. DI in attached form 1449)

3. **Related U.S. Application Serial No. 08/486,454**

For this application, the following references were cited in the corresponding Office Actions as noted.

A. Office Action dated November 8, 1995

- i. Used to reject one or more claims in that application:
- U.S. 3,968,501 (cite no. AE in attached form 1449)
 - U.S. 4,361,869 (cite no. BD in attached form 1449)
- ii. Cited but not used to reject any claims in that application:
- U.S. 4,236,152 (cite no. AT in attached form 1449)
 - U.S. 4,328,557 (cite no. BA in attached form 1449)

B. Office Action dated July 24, 1997

- i. Used to reject one or more claims in that application:
 - U.S. 5,226,147 (cite no. DJ in attached form 1449)
- ii. Cited but not used to reject any claims in that application:
 - U.S. 4,803,621 (cite no. CF in attached form 1449)

4. **Related U.S. Application Serial No. 07/389,334**

For this application, the following references were cited in the corresponding Office Actions as noted.

A. Office Action dated December 3, 1991

- i. Used to reject one or more claims in that application:
 - U.S. 4,354,228 (cite no. BC in attached form 1449)
 - U.S. 4,626,988 (cite no. BW in attached form 1449)
 - U.S. 4,787,032 (cite no. CE in attached form 1449)
- ii. Cited but not used to reject any claims in that application:
 - U.S. 4,003,033 (cite no. AF in attached form 1449)
 - U.S. 4,037,090 (previously cited)
 - U.S. 4,042,972 (previously cited)
 - U.S. 4,110,822 (cite no. AM in attached form 1449)
 - U.S. 4,128,873 (cite no. AO in attached form 1449)
 - U.S. 4,382,279 (cite no. BF in attached form 1449)
 - U.S. 4,403,303 (cite no. BH in attached form 1449)
 - U.S. 4,450,519 (cite no. BJ in attached form 1449)
 - U.S. 4,607,332 (cite no. BT in attached form 1449)

B. Office Action dated December 31, 1992

- i. Used to reject one or more claims in that application:
 - U.S. 4,067,059 (cite no. AJ in attached form 1449)
 - U.S. 4,376,977 (cite no. BE in attached form 1449)

- U.S. 3,603,934 (cite no. AA in attached form 1449)
 - U.S. 4,125,871 (cite no. AN in attached form 1449)
 - U.S. 4,787,032 (cite no. CE in attached form 1449)
 - U.S. 5,036,460 (previously cited)
- ii. Cited but not used to reject any claims in that application:
- U.S. 4,050,058 (cite no. AG in attached form 1449)
 - U.S. 4,079,455 (cite no. AL in attached form 1449)
 - U.S. 4,255,785 (cite no. AV in attached form 1449)
 - U.S. 4,463,421 (cite no. BK in attached form 1449)
 - U.S. 4,538,239 (cite no. BN in attached form 1449)
 - U.S. 4,541,045 (cite no. BO in attached form 1449)
 - U.S. 4,562,537 (cite no. BQ in attached form 1449)
 - U.S. 4,577,282 (cite no. BS in attached form 1449)
 - U.S. 4,649,471 (cite no. BY in attached form 1449)
 - U.S. 4,709,329 (cite no. CA in attached form 1449)
 - U.S. 4,720,812 (cite no. CB in attached form 1449)
 - U.S. 4,772,888 (cite no. CD in attached form 1449)
 - U.S. 4,777,591 (previously cited)
 - U.S. 4,803,621 (cite no. CF in attached form 1449)
 - U.S. 4,931,986 (cite no. CT in attached form 1449)
 - U.S. 4,450,519 (cite no. BJ in attached form 1449)
 - U.S. 4,354,228 (cite no. BC in attached form 1449)
 - U.S. 4,714,994 (previously cited)
 - U.S. 4,665,495 (previously cited)

C. Office Action dated November 2, 1993

- i. Used to reject one or more claims in that application:
- U.S. 5,127,091 (previously cited)
- ii. Cited but not used to reject any claims in that application:
- U.S. 4,860,198 (cite no. CM in attached form 1449)

D. Office Action dated June 9, 1994

i. Used to reject one or more claims in that application:

- U.S. 5,127,091 (previously cited)

E. Notice of Allowance dated November 29, 1994

i. Cited but not used to reject any claims in that application:

- Intel 80386 Programmer's Reference Manual, published by Intel (1986) (previously cited)

5. **Related U.S. Application Serial No. 08/484,918**

For this application, the following references were cited in the corresponding Office Actions as noted.

A. Office Action dated June 7, 1995

i. Used to reject one or more claims in that application:

- U.S. 4,670,837 (previously cited)
- U.S. 4,453,229 (previously cited)

ii. Cited but not used to reject any claims in that application:

- U.S. 3,980,993 (previously cited)
- U.S. 4,761,763 (previously cited)
- U.S. 4,315,308 (cite no. AX in attached form 1449)
- U.S. 4,050,096 (previously cited)
- U.S. 4,398,265 (cite no. BG in attached form 1449)
- U.S. 4,539,655 (previously cited)

B. Office Action dated July 8, 1996

i. Used to reject one or more claims in that application:

- U.S. 4,670,837 (previously cited)
- U.S. 4,453,229 (previously cited)

C. Office Action dated April 3, 1997

i. Used to reject one or more claims in that application:

- U.S. 4,503,500 (previously cited)
- U.S. 4,627,082 (previously cited)

ii. Cited but not used to reject any claims in that application:

- U.S. 3,967,104 (previously cited)
- U.S. 4,003,028 (previously cited)
- U.S. 4,042,972 (previously cited)
- U.S. 4,112,490 (previously cited)
- U.S. 4,338,675 (previously cited)
- U.S. 4,553,201 (previously cited)
- U.S. 4,680,698 (previously cited)
- U.S. 5,414,862 (cite no. DU in attached form 1449)

D. Office Action dated October 16, 1997

i. Used to reject one or more claims in that application:

- U.S. 4,503,500 (previously cited)

6. **Related U.S. Application Serial No. 08/480,206**

For this application, the following references were cited in the corresponding Office Actions as noted.

A. Notice of Allowance dated December 12, 1995

i. Cited but not used to reject any claims in that application:

- U.S. 3,603,934 (cite no. AA in attached form 1449)
- U.S. 4,003,033 (cite no. AF in attached form 1449)
- U.S. 4,037,090 (previously cited)
- U.S. 4,042,972 (previously cited)
- U.S. 4,050,058 (cite no. AG in attached form 1449)
- U.S. 4,067,059 (cite no. AJ in attached form 1449)
- U.S. 4,079,455 (cite no. AL in attached form 1449)

- U.S. 4,110,822 (cite no. AM in attached form 1449)
- U.S. 4,125,871 (cite no. AN in attached form 1449)
- U.S. 4,128,873 (cite no. AO in attached form 1449)
- U.S. 4,255,785 (cite no. AV in attached form 1449)
- U.S. 4,354,228 (cite no. BC in attached form 1449)
- U.S. 4,376,977 (cite no. BE in attached form 1449)
- U.S. 4,382,279 (cite no. BF in attached form 1449)
- U.S. 4,403,303 (cite no. BH in attached form 1449)
- U.S. 4,450,519 (cite no. BJ in attached form 1449)
- U.S. 4,463,421 (cite no. BK in attached form 1449)
- U.S. 4,538,239 (cite no. BN in attached form 1449)
- U.S. 4,541,045 (cite no. BO in attached form 1449)
- U.S. 4,562,537 (cite no. BQ in attached form 1449)
- U.S. 4,577,282 (cite no. BS in attached form 1449)
- U.S. 4,607,332 (cite no. BT in attached form 1449)
- U.S. 4,626,988 (cite no. BW in attached form 1449)
- U.S. 4,649,471 (cite no. BY in attached form 1449)
- U.S. 4,665,495 (previously cited)
- U.S. 4,709,329 (cite no. CA in attached form 1449)
- U.S. 4,713,749 (previously cited)
- U.S. 4,714,994 (previously cited)
- U.S. 4,720,812 (cite no. CB in attached form 1449)
- U.S. 4,772,888 (cite no. CD in attached form 1449)
- U.S. 4,777,591 (previously cited)
- U.S. 4,787,032 (cite no. CE in attached form 1449)
- U.S. 4,803,621 (cite no. CF in attached form 1449)

B. Notice of Allowance dated April 2, 1996

i. Cited but not used to reject any claims in that application:

- BEST et al., "An Advanced-Architecture CMOS/SOS Microprocessor", IEEE Micro, vol. 2, No. 3, Vol. 2 , No. 3 (July 1982), pp. 10-26 (cite no. EG in attached form 1449)

- WHITEBY-Streven, "Transputer Technical Notes from INMOS,"
Google Groups; comp.sys.transputer, dated September 7, 1988
(previously cited)

7. **Related U.S. Application Serial No. 08/484,935**

For this application, the following references were cited in the corresponding Office Actions as noted.

A. Office Action dated December 7, 1995

i. Used to reject one or more claims in that application:

- U.S. 5,127,091 (previously cited)
- U.S. 4,967,326 (previously cited)

B. Office Action dated December 12, 1996

i. Used to reject one or more claims in that application:

- U.S. 5,127,091 (previously cited)
- U.S. 4,967,326 (previously cited)

C. Office Action dated August 22, 1997

i. Used to reject one or more claims in that application:

- U.S. 5,127,091 (previously cited)
- U.S. 4,967,326 (previously cited)

8. **Related U.S. Application Serial No. 08/482,185**

For this application, the following references were cited in the corresponding Office Actions as noted.

A. Office Action dated November 8, 1995

i. Used to reject one or more claims in that application:

- U.S. 4,868,735 (cite no. CN in attached form 1449)
- U.S. 3,924,245 (cite no. AD in attached form 1449)

B. Office Action dated July 22, 1996

- i. Used to reject one or more claims in that application:
 - U.S. 4,868,735 (cite no. CN in attached form 1449)
 - U.S. 3,924,245 (cite no. AD in attached form 1449)
- ii. Cited but not used to reject any claims in that application:
 - U.S. 5,179,734 (cite no. DI in attached form 1449)

C. Notice of Allowance dated March 7, 1997

- ii. Cited but not used to reject any claims in that application:
 - U.S. 3,878,513 (cite no. AC in attached form 1449)
 - U.S. 4,335,447 (cite no. BB in attached form 1449)
 - U.S. 4,616,338 (cite no. BU in attached form 1449)
 - U.S. 4,835,738 (cite no. CK in attached form 1449)

9. **Related U.S. Application Serial No. 09/124,623**

For this application, the following references were cited in the corresponding Office Actions as noted.

A. Office Action dated January 31, 2000

- i. Used to reject one or more claims in that application:
 - U.S. 5,379,438 (cite no. DR in attached form 1449)
 - U.S. 4,680,698 (previously cited)

10. **Related U.S. Application Serial No. 08/480,462**

For this application, the following references were cited in the corresponding Office Actions as noted.

A. Office Action dated December 8, 1995

- i. Used to reject one or more claims in that application:
 - U.S. 5,353,427 (cite no. DQ in attached form 1449)
 - U.S. 5,459,846 (cite no. DW in attached form 1449)
 - U.S. 5,325,513 (cite no. DN in attached form 1449)

B. Office Action dated July 12, 1996

i. Used to reject one or more claims in that application:

- U.S. 5,353,427 (cite no. DQ in attached form 1449)
- U.S. 4,626,985 (cite no. BV in attached form 1449)

ii. Cited but not used to reject any claims in that application:

- U.S. 4,112,490 (previously cited)
- U.S. 4,144,562 (cite no. AP in attached form 1449)

11. **Related U.S. Application Serial No. 08/484,230**

For this application, the following references were cited in the corresponding Office Actions as noted.

A. Office Action dated December 5, 1995

i. Used to reject one or more claims in that application:

- U.S. 4,890,225 (cite no. CP in attached form 1449)
- U.S. 5,179,734 (cite no. DI in attached form 1449)

ii. Cited but not used to reject any claims in that application:

- U.S. 3,924,245 (cite no. AD in attached form 1449)
- U.S. 4,354,228 (cite no. BC in attached form 1449)
- U.S. 4,382,279 (cite no. BF in attached form 1449)
- U.S. 4,630,195 (cite no. BX in attached form 1449)

B. Office Action dated July 16, 1996

i. Used to reject one or more claims in that application:

- U.S. 4,890,225 (cite no. CP in attached form 1449)
- U.S. 5,179,734 (cite no. DI in attached form 1449)

12. **Related U.S. Application Serial No. 08/484,920**

For this application, the following references were cited in the corresponding Office Actions as noted.

A. Office Action dated November 22, 1995

i. Cited but not used to reject any claims in that application:

- U.S. 4,224,676 (cite no. AS in attached form 1449)
- U.S. 4,541,111 (cite no. BP in attached form 1449)
- U.S. 5,146,592 (cite no. DG in attached form 1449)

13. **Related U.S. Application Serial No. 08/480,015**

For this application, the following references were cited in the corresponding Office Actions as noted.

A. Office Action dated January 4, 1996

i. Used to reject one or more claims in that application:

- U.S. 4,075,691 (cite no. AK in attached form 1449)
- U.S. 4,979,102 (cite no. CY in attached form 1449)

ii. Cited but not used to reject any claims in that application:

- U.S. 4,067,059 (cite no. AJ in attached form 1449)
- U.S. 4,809,169 (cite no. CH in attached form 1449)
- U.S. 4,914,578 (cite no. CS in attached form 1449)
- U.S. 4,942,553 (cite no. CU in attached form 1449)
- U.S. 5,021,991 (cite no. CZ in attached form 1449)
- U.S. 5,103,499 (cite no. DE in attached form 1449)
- U.S. 5,421,000 (cite no. DV in attached form 1449)

B. Office Action dated September 20, 1996

i. Used to reject one or more claims in that application:

- U.S. 4,805,091 (cite no. CG in attached form 1449)
- U.S. 5,103,499 (cite no. DE in attached form 1449)

- ii. Cited but not used to reject any claims in that application:
 - U.S. 5,021,991 (cite no. CZ in attached form 1449)
 - U.S. 5,097,437 (cite no. DD in attached form 1449)

14. **Related U.S. Application Serial No. 09/051,263**

For this application, the following references were cited in the corresponding Office Actions as noted.

A. Restriction Requirement dated December 27, 2006

- i. Used to reject one or more claims in that application:
 - U.S. 4,649,471 (cite no. BY in attached form 1449)
 - U.S. 4,835,738 (cite no. CK in attached form 1449)
 - U.S. 4,626,985 (cite no. BV in attached form 1449)
- ii. Cited but not used to reject any claims in that application:
 - EP 0288649 (cite no. EA in attached form 1449)
 - JP 05-189383 (cite no. EB in attached form 1449)
 - U.S. 3,603,934 (cite no. AA in attached form 1449)
 - U.S. 3,849,765 (cite no. AB in attached form 1449)
 - U.S. 3,878,513 (cite no. AC in attached form 1449)
 - U.S. 3,924,245 (cite no. AD in attached form 1449)
 - U.S. 3,967,104 (previously cited)
 - U.S. 3,980,993 (previously cited)
 - U.S. 4,003,028 (previously cited)
 - U.S. 4,042,972 (previously cited)
 - U.S. 4,050,096 (previously cited)
 - U.S. 4,067,058 (cite no. AI in attached form 1449)
 - U.S. 4,110,822 (cite no. AM in attached form 1449)
 - U.S. 4,112,490 (previously cited)
 - U.S. 4,125,871 (cite no. AN in attached form 1449)
 - U.S. 4,128,873 (cite no. AO in attached form 1449)
 - U.S. 4,217,637 (cite no. AR in attached form 1449)

- U.S. 4,253,785 (cite no. AU in attached form 1449)
- U.S. 4,315,305 (previously cited)
- U.S. 4,320,467 (cite no. AY in attached form 1449)
- U.S. 4,335,447 (cite no. BB in attached form 1449)
- U.S. 4,338,675 (previously cited)
- U.S. 4,354,228 (cite no. BC in attached form 1449)
- U.S. 4,376,977 (cite no. BE in attached form 1449)
- U.S. 4,382,279 (cite no. BF in attached form 1449)
- U.S. 4,398,265 (cite no. BG in attached form 1449)
- U.S. 4,403,303 (cite no. BH in attached form 1449)
- U.S. 4,450,519 (cite no. BJ in attached form 1449)
- U.S. 4,463,421 (cite no. BK in attached form 1449)
- U.S. 4,488,217 (cite no. BL in attached form 1449)
- U.S. 4,509,115 (cite no. BM in attached form 1449)
- U.S. 4,538,239 (cite no. BN in attached form 1449)
- U.S. 4,539,655 (previously cited)
- U.S. 4,541,045 (cite no. BO in attached form 1449)
- U.S. 4,553,201 (previously cited)
- U.S. 4,562,537 (cite no. BQ in attached form 1449)
- U.S. 4,577,282 (cite no. BS in attached form 1449)
- U.S. 4,607,332 (cite no. BT in attached form 1449)
- U.S. 4,616,338 (cite no. BU in attached form 1449)
- U.S. 4,626,988 (cite no. BW in attached form 1449)
- U.S. 4,627,082 (previously cited)
- U.S. 4,665,495 (previously cited)
- U.S. 4,670,837 (previously cited)
- U.S. 4,679,166 (cite no. BZ in attached form 1449)
- U.S. 4,709,329 (cite no. CA in attached form 1449)
- U.S. 4,713,749 (previously cited)
- U.S. 4,720,812 (cite no. CB in attached form 1449)
- U.S. 4,760,521 (cite no. CC in attached form 1449)

- U.S. 4,761,763 (previously cited)
- U.S. 4,772,888 (cite no. CD in attached form 1449)
- U.S. 4,777,591 (previously cited)
- U.S. 4,787,032 (cite no. CE in attached form 1449)
- U.S. 4,809,169 (cite no. CH in attached form 1449)
- U.S. 4,809,269 (cite no. CI in attached form 1449)
- U.S. 4,811,208 (cite no. CJ in attached form 1449)
- U.S. 4,837,682 (cite no. CL in attached form 1449)
- U.S. 4,860,198 (cite no. CM in attached form 1449)
- U.S. 4,868,735 (cite no. CN in attached form 1449)
- U.S. 4,870,562 (cite no. CO in attached form 1449)
- U.S. 4,907,225 (cite no. CQ in attached form 1449)
- U.S. 4,912,632 (cite no. CR in attached form 1449)
- U.S. 4,931,986 (cite no. CT in attached form 1449)
- U.S. 4,959,782 (cite no. CV in attached form 1449)
- U.S. 4,967,398 (cite no. CW in attached form 1449)
- U.S. 5,036,460 (previously cited)
- U.S. 5,047,921 (cite no. DA in attached form 1449)
- U.S. 5,068,781 (cite no. DB in attached form 1449)
- U.S. 5,070,451 (previously cited)
- U.S. 5,091,846 (previously cited)
- U.S. 5,179,734 (cite no. DI in attached form 1449)
- U.S. 5,239,631 (cite no. DK in attached form 1449)
- U.S. 5,261,057 (cite no. DL in attached form 1449)
- U.S. 5,261,109 (cite no. DM in attached form 1449)
- U.S. 5,339,448 (cite no. DO in attached form 1449)
- U.S. 5,353,417 (cite no. DP in attached form 1449)
- U.S. 5,410,654 (cite no. DS in attached form 1449)
- U.S. 5,410,682 (cite no. DT in attached form 1449)
- U.S. 5,414,862 (cite no. DU in attached form 1449)
- U.S. 5,440,749 (previously cited)

B. Restriction Requirement dated April 8, 2008

i. Cited but not used to reject any claims in that application:

- "IBM RT Personal Computer Technology," IBM Corp. 1986. (collection of papers by developers) (previously cited)
- "INMOS Engineering Data, IMS T414M Transputer, Extended Temperature, (August 1987) (previously cited)
- BEST et al., "An Advanced-Architecture CMOS/SOS Microprocessor", IEEE Micro, vol. 2, No. 3, Vol. 2, No. 3 (July 1982), pp. 10-26 (cite no. EG in attached form 1449)
- CLIPPER™ 32-Bit Microprocessor, Introduction to the CLIPPER Architecture, published by Fairchild in 1986 (previously cited)
- Fairchild Microcomputers, F8/3870, F6800, BIT Slice, IC Master 1980, pages 1, 2016-2040 (1980) (previously cited)
- Hitachi America Ltd., "8-Bit Single-Chip Microprocessor Data Book", July 1985, Table of Contents and pp. 251-279 (previously cited)
- IEEE Std 796-1983, Microcomputer System Bus, pp. 9-46 (previously cited)
- Intel 80386 Programmer's Reference Manual, published by Intel (1986) (previously cited)
- JP 61-127288 (previously cited)
- MEAD et al., eds., Introduction to VLSI Systems, Addison Wesley Publishers, (1980), 144 pages (previously cited)
- Mostek Corp., "Mostek 1981 3870/F8 Microcomputer Data Book", February 1981, pp. III-76 through III-77, III-100 through III-129, and VI-1 through VI-11 (previously cited)
- Mostek Corp., Advertisement, EDN, November 20, 1976 (previously cited)
- PAKER, Y., Multi-Processor Systems, Academic Press, pages 1-23 (1983) (previously cited)
- RYAN, D.P., "Intel's 80960: An Architecture Optimized for Embedded Control," IEEE Micro, published in June 1988 (previously cited)
- STANLEY, R. C., "Microprocessors in brief," IBM J. Res. Develop., 29(2):110-118 (March 1985) (previously cited)

- Toshiba TLCS-42, 47, 470 User's Manual Published in April 1986 (previously cited)
- Technology Properties Limited (TPL), Moore Microprocessor Patent (MMP) Portfolio, downloaded from << www.tplgroup.net/patents/index.php>> downloaded on August 3, 2006, 3 pages total (cite no. EH in attached form 1449)
- WHITEBY-Streven, "Transputer Technical Notes from INMOS," Google Groups; comp.sys.transputer, dated September 7, 1988 (previously cited)
- U.S. 3,968,501 (cite no. AE in attached form 1449)
- U.S. 4,075,691 (cite no. AK in attached form 1449)
- U.S. 4,144,562 (cite no. AP in attached form 1449)
- U.S. 4,224,676 (cite no. AS in attached form 1449)
- U.S. 4,236,152 (cite no. AT in attached form 1449)
- U.S. 4,295,193 (previously cited)
- U.S. 4,328,557 (cite no. BA in attached form 1449)
- U.S. 4,334,268 (previously cited)
- U.S. 4,361,869 (cite no. BD in attached form 1449)
- U.S. 4,449,201 (cite no. BI in attached form 1449)
- U.S. 4,541,111 (cite no. BP in attached form 1449)
- U.S. 4,566,063 (previously cited)
- U.S. 4,630,195 (cite no. BX in attached form 1449)
- U.S. 4,660,155 (previously cited)
- U.S. 4,689,581 (previously cited)
- U.S. 4,691,124 (previously cited)
- U.S. 4,710,648 (previously cited)
- U.S. 4,714,994 (previously cited)
- U.S. 4,718,081 (previously cited)
- U.S. 4,750,111 (previously cited)
- U.S. 4,763,297 (previously cited)
- U.S. 4,766,567 (previously cited)
- U.S. 4,803,621 (cite no. CF in attached form 1449)
- U.S. 4,805,091 (cite no. CG in attached form 1449)

- U.S. 4,890,225 (cite no. CP in attached form 1449)
- U.S. 4,914,578 (cite no. CS in attached form 1449)
- U.S. 4,931,748 (previously cited)
- U.S. 4,933,835 (previously cited)
- U.S. 4,942,553 (cite no. CU in attached form 1449)
- U.S. 4,979,102 (cite no. CY in attached form 1449)
- U.S. 4,989,133 (previously cited)
- U.S. 5,021,991 (cite no. CZ in attached form 1449)
- U.S. 5,081,574 (cite no. DC in attached form 1449)
- U.S. 5,097,437 (cite no. DD in attached form 1449)
- U.S. 5,103,499 (cite no. DE in attached form 1449)
- U.S. 5,134,701 (cite no. DF in attached form 1449)
- U.S. 5,146,592 (cite no. DG in attached form 1449)
- U.S. 5,148,385 (cite no. DH in attached form 1449)
- U.S. 5,226,147 (cite no. DJ in attached form 1449)
- U.S. 5,237,699 (previously cited)
- U.S. 5,325,513 (cite no. DN in attached form 1449)
- U.S. 5,353,427 (cite no. DQ in attached form 1449)
- U.S. 5,379,438 (cite no. DR in attached form 1449)
- U.S. 5,421,000 (cite no. DV in attached form 1449)
- U.S. 5,459,846 (cite no. DW in attached form 1449)
- U.S. 5,530,890 (cite no. DX in attached form 1449)
- U.S. 5,604,915 (cite no. DY in attached form 1449)
- U.S. 5,659,703 (cite no. DZ in attached form 1449)
- U.S. 5,809,336 (previously cited)
- U.S. 6,598,148 (previously cited)

C. Office Action dated October 30, 2008

i. Used to reject one or more claims in that application:

- U.S. 4,292,668 (cite no. AW in attached form 1449)
- U.S. 4,321,706 (cite no. AZ in attached form 1449)

- U.S. 5,070,451 (previously cited)
- ii. Cited but not used to reject any claims in that application:
 - U.S. 4,488,217 (cite no. BL in attached form 1449)
 - U.S. 4,509,115 (cite no. BM in attached form 1449)
 - U.S. 4,626,985 (cite no. BV in attached form 1449)
 - U.S. 4,912,632 (cite no. CR in attached form 1449)
 - U.S. 4,967,398 (cite no. CW in attached form 1449)

15. **Related U.S. Application Serial No. 08/485,031**

For this application, the following references were cited in the corresponding Office Actions as noted.

A. Office Action dated November 28, 1995

- i. Used to reject one or more claims in that application:
 - U.S. 5,339,448 (cite no. DO in attached form 1449)
- ii. Cited but not used to reject any claims in that application:
 - U.S. 3,849,765 (cite no. AB in attached form 1449)
 - U.S. 4,217,637 (cite no. AR in attached form 1449)

As provided for by 37 CFR §1.97(g) and (h), no inference should be made that the information and references cited are prior art merely because they are in this statement and no representation is being made that a search has been conducted or that this statement encompasses all the possible relevant information.

Respectfully submitted,

Dated: March 16, 2010

/Larry E. Henneman, Jr./

Larry E. Henneman, Jr.
Reg. No. 41,063

Henneman & Associates, PLC
714 W. Michigan Ave.
Three Rivers, MI 49093