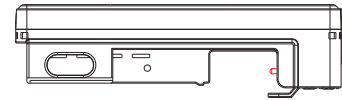
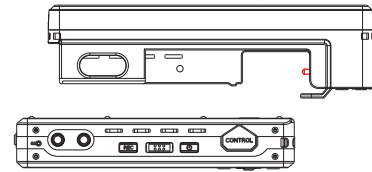


PVQ-806 Digital Video Recorder Operation Manual



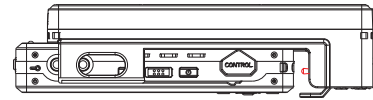
1. Place the base unit (PVQ-806) on a flat surface with the connecting pin on the right hand side, and the antenna pointing away from you, as shown in illustration 1.

1



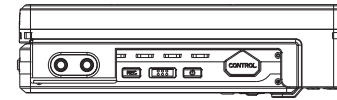
2. Place the screen unit (PVQ-806) on top of the base, face upwards, with the single connecting socket and buttons on the right hand side, as shown. It is important to leave only the minimum clearance between the edge of the screen unit and the connecting pin to avoid damaging the pin in the next step.

2



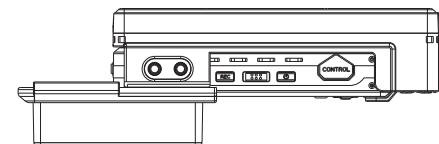
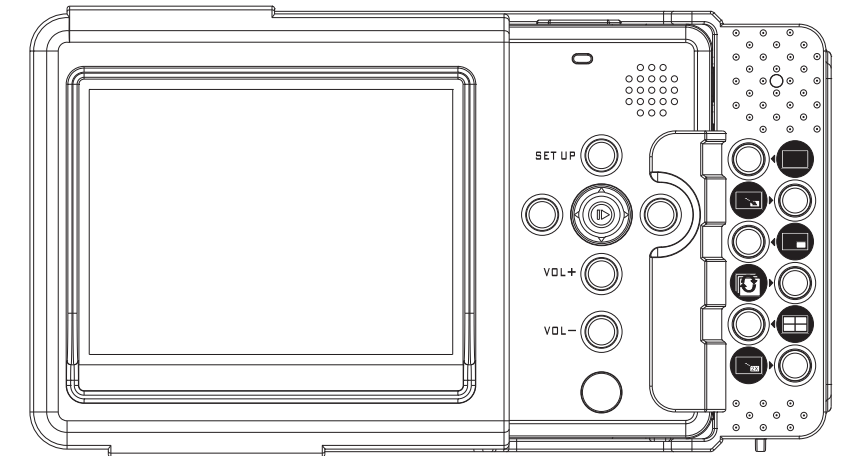
3. Place your fingers on all four corners of the screen unit and GENTLY press the unit into place.

3



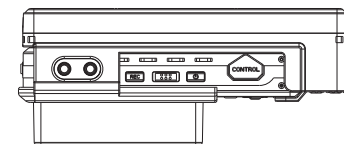
4. Slide the screen unit to the right, pushing it fully onto the connecting pin, as shown in illustrations 3&4.

4



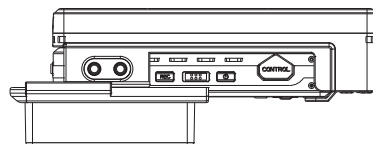
5. Slide the sun screen visor into place from the left hand side. Please note that the visor locks onto the base unit top and bottom and acts to hold the screen unit in the base even more securely.

5



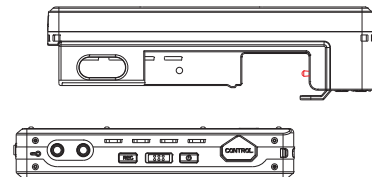
6. PVQ-806 is assembled as shown in illustration 6

6



7. The visor is removed simply by sliding it back to the left.

7

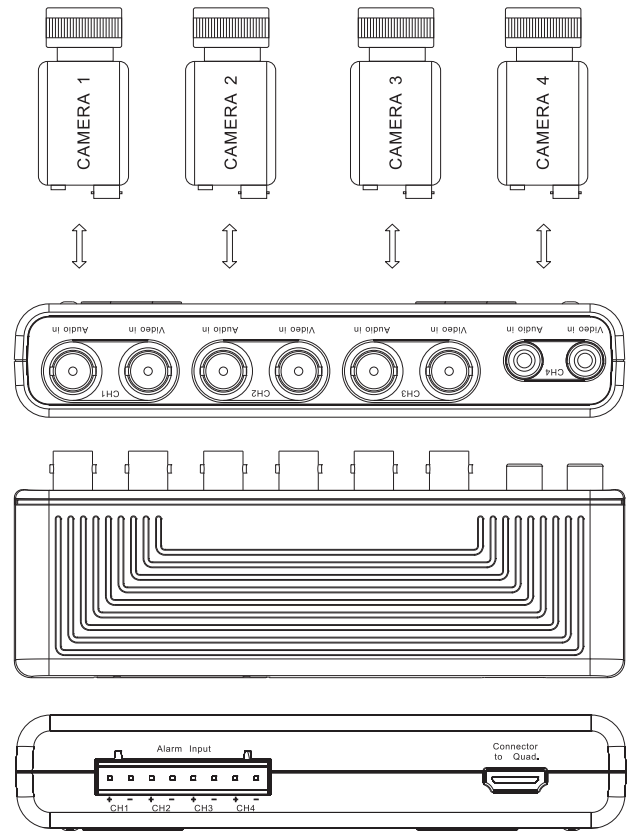


8. To remove the screen unit, hold the assembled unit in your right hand with your fingers beneath the base. Use your right thumb to push the right hand edge of the screen unit until it is just clear of the connecting pin. Grip the right hand side of the screen unit top and bottom with your left hand, and lift it gently from the base unit.

8

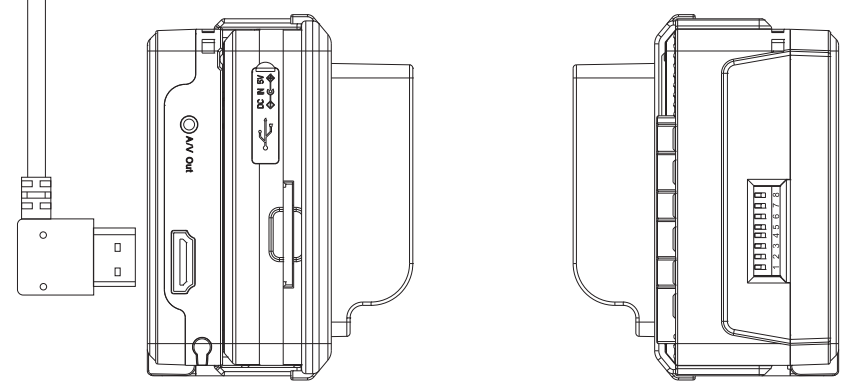
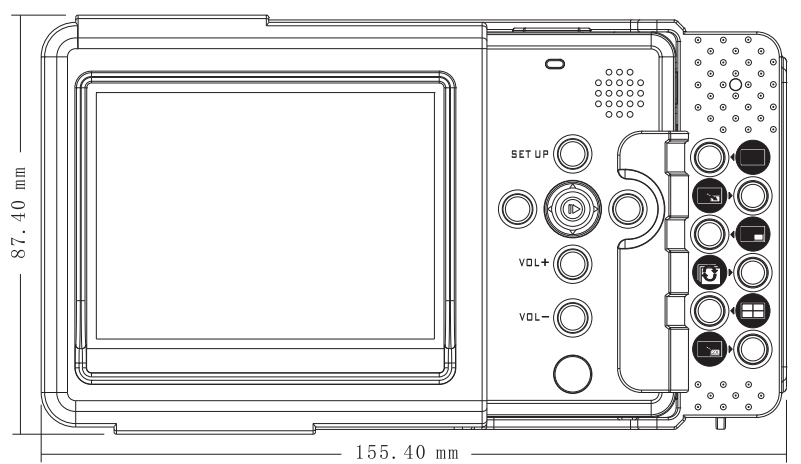
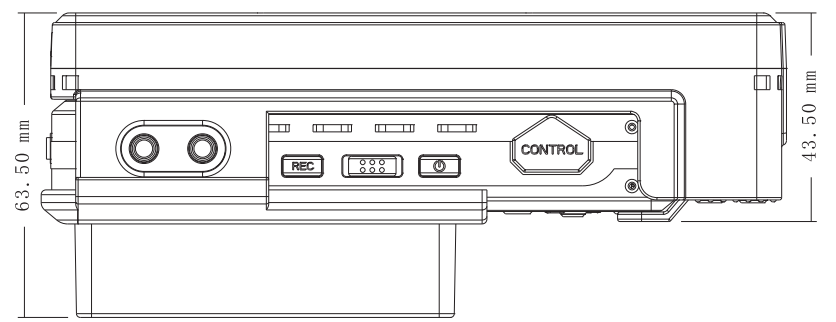
Law Enforcement Products Manufacturer

LawMate



PVQ-800 Trigger Alarm

- 1. Full Screen Display Mode**
If a trigger alarm occurs, the PVQ-800 will automatically switch to the triggered channel and start recording then resume to original screen. If there are more than two trigger alarms occur the PVQ-800 would switch to the earliest triggered channel.
- 2. Quad Display Mode**
Whenever there is a trigger alarm occurs in one of the four channels, the triggered channel will be displayed in Full Screen Display Mode and recorded. The PVQ-800 will resume to Quad Display Mode when recording ends.
- 3. Sub-Channel Display Mode**
When a trigger alarm occurs on the Main Channel the Sub-Channel will be removed, only Main Channel remains on the screen and vice versa



Key Function

- 1. Full Screen Display Mode**
-Under full screen display, press key to switch from channels.
-Under quad display, press key to change back to full screen display.
-Under channel scan, press key to switch channel manually.
- 2. Sub-Channel Display Mode**
-Under full screen display, press key to call out sub-channel on the bottom right of the screen.
-Under quad display, press key to change to full screen display.
-Under channel scan, press key to call out sub-channel on the bottom right of the screen.
- 3. Quad Display Mode**
-Under full screen display, press key to change to quad display mode.
-Under quad display, press key to change back to full screen display.
-Under channel scan, press key to switch to quad display mode.
- 4. Full Screen Display and Sub-Channel Swapping Key**
The key will only be functioning when a sub-channel is being displayed on screen.
Press key to swap full screen display and sub-channel back and forth.
-Under quad display and channel scan mode this key is functionless.
- 5. Channel Scan Mode**
-Under full screen display, press key to start channel scanning.
-Under quad display, press key to switch full screen display and then start channel scanning.
-Under channel scan, press key to top channel scanning.
- 6. Sub-Channel 2X Room-In Key**
-Under full screen display, press key to room in the sub-channel by 2X.
-Under quad display, press key to return to full screen display.
-Under channel scan, press key to room in the sub-channel by 2X.

DIP Switch Function

- 1. NTSC or PAL Adjust**
Up: NTSC
Down: PAL
- 2. Scan Time Adjust**
Up: 2 Secnds Scan
Down: 4 Secnds Scan
- 3. Scan Time Adjust**
Up: 8 Secnds Scan
Down: 16 Secnds Scan
- 4. Video Loss Detection**
Up: Off
Down: On
When a video loss occurs, the screen will automatically switch to that channel and the buzzer will send an audible alarm also the on panel LED will flicker for 28 seconds as a visual alarm. The channel number will be displayed in red color on upper right screen. Press any key on the panel to stop the audible and visual alarm. the screen will resume to previous mode with the frame of the detected channel blinking.
- 5. Buzzer On/Off**
Up: Buzzer off
Down: Buzzer on
When Video loss single will Buzzer
- 6. Sub-channel Position**
Up: on the right position
Down: on the left position
- 7. Scan Full or Sub-channel**
Up: Scan Full Channel,
Down: Scan Sub-channel