

New York Beauty Block D4

©2006 Donna Duquette



I designed this block to compliment the blocks used for the New York Beauty challenge on the www.blockcentral.com quilting forum. Feel free to use this design for your personal use.

The foundations for this block begin on the next page, numbered. Simply start at one end of the arc and work the foundations, you'll find a key block diagram and

The foundations have not been worked out for you. Following the template to complete the block.

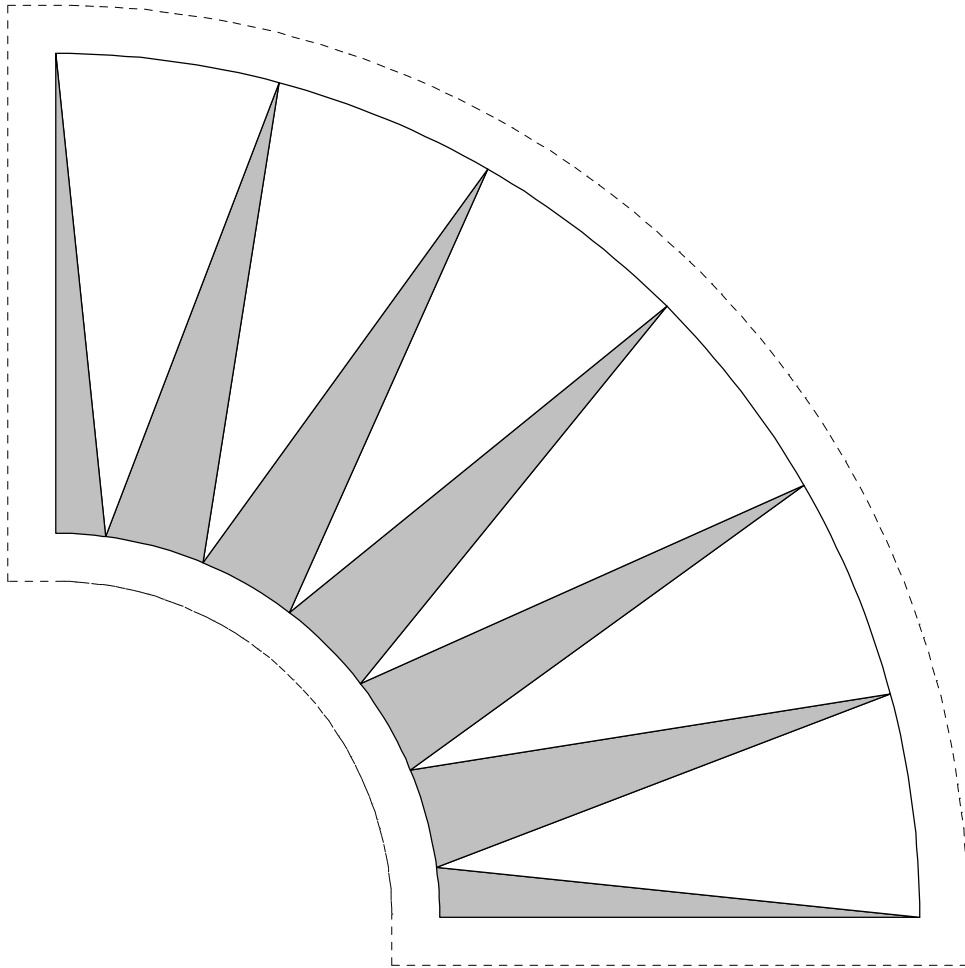
Assembly Tips:

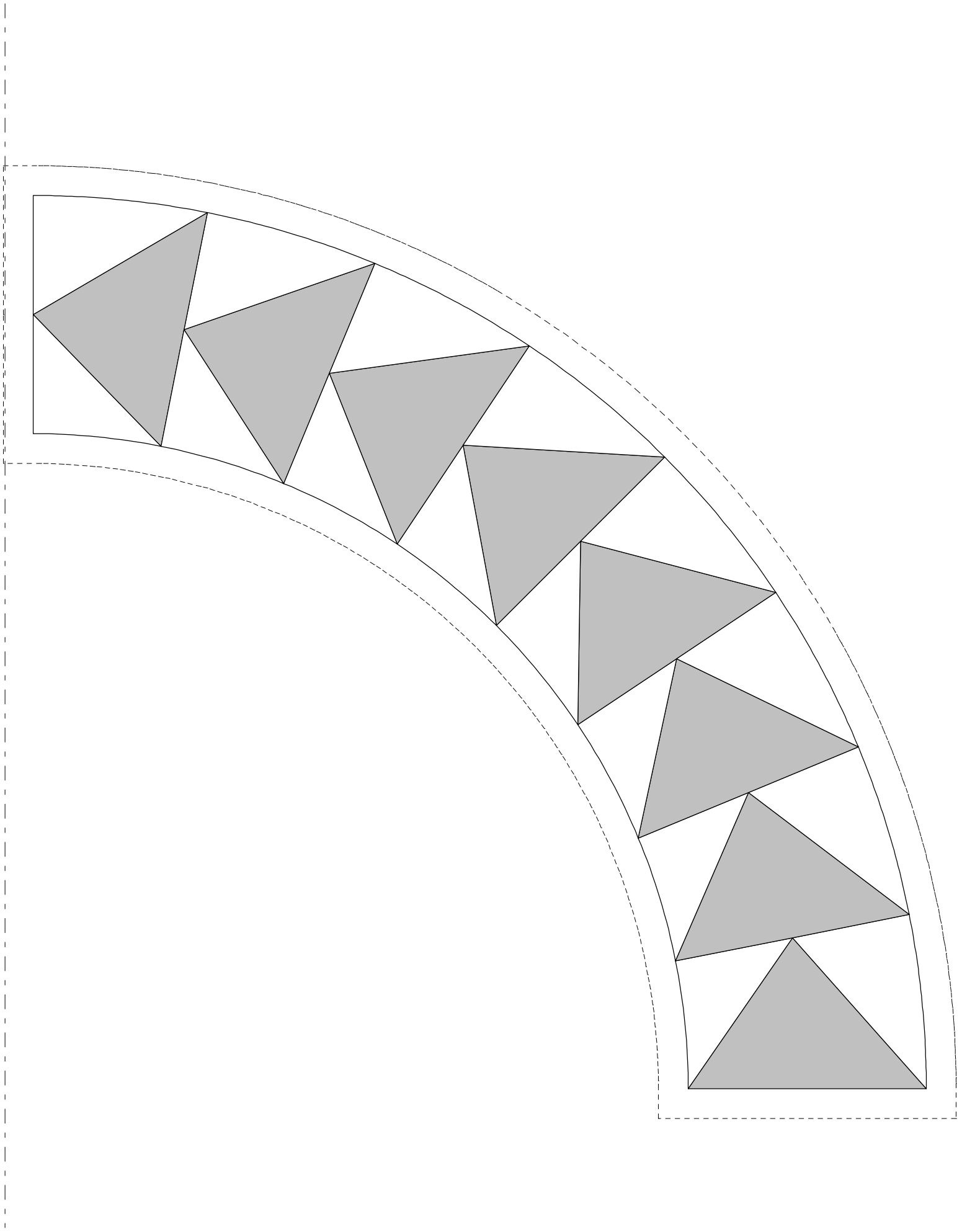
- Print out this entire file on 20 lb paper using an inkjet printer. This is the cheapest paper, and the thinner the better.
- The easiest way I've found to make the templates is to use a seaglu stick and glue paper work great for this). Then just templates down to a piece of cardstock (manila folders work great for this). Then just templates on the stitching lines of the fabric. If you do this, just cut them out and you're good to go. I usually cut them that when I trace them I have the stitching line drawn on the fabric. If you do this, just cut your templates on the cutting line and just match up your raw edges when you sew everything together. It's up to you!
- Lay your templates and foundation pieces together and mark some registration marks on them. The points on the foundation pieces are very convenient to use for matching the pieces.
- Remove the papers from your foundation sections before you piece the block.
- When sewing the curved seams, be sure to match your seam lines or edges carefully and use plenty of pins for a smooth curve.

Enjoy!

Donna

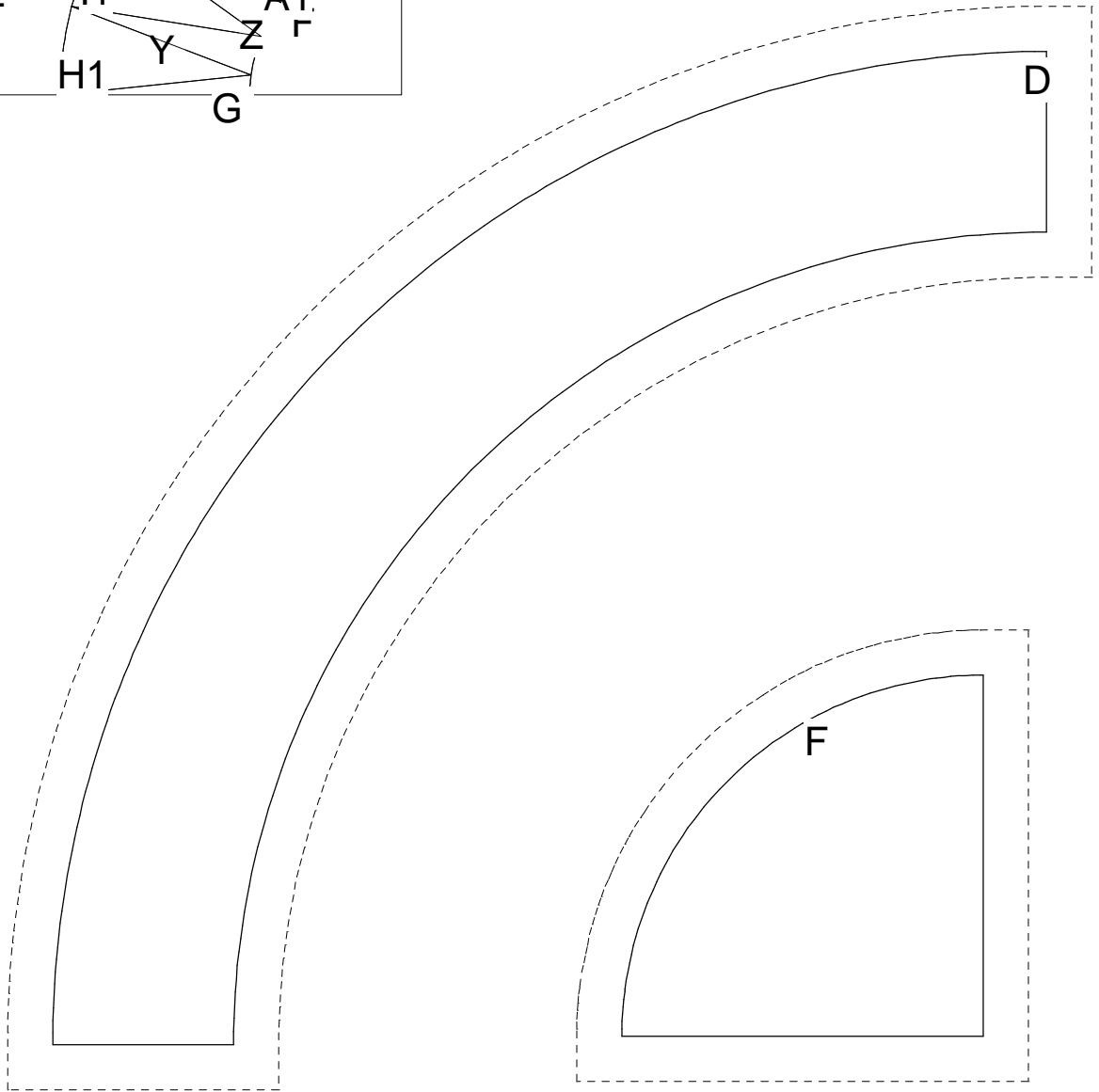
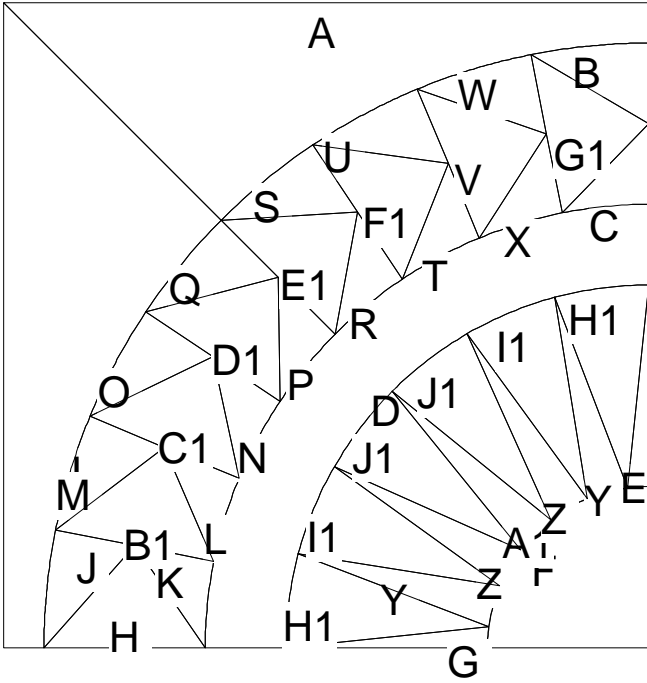
NYB-D4

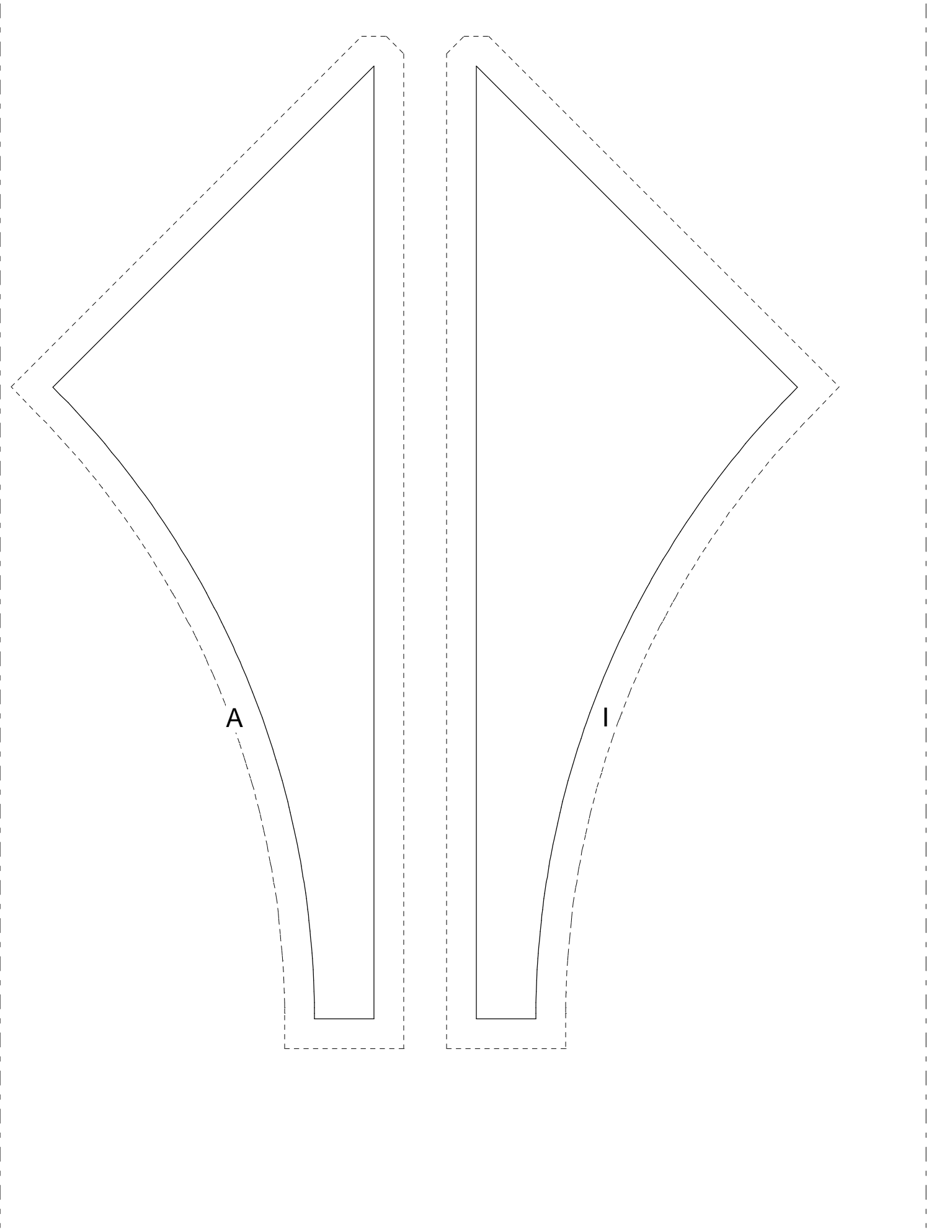




NYB-D4

Pattern for 8.00x8.00 block
KeyBlock(21/50 actual size)





A

I