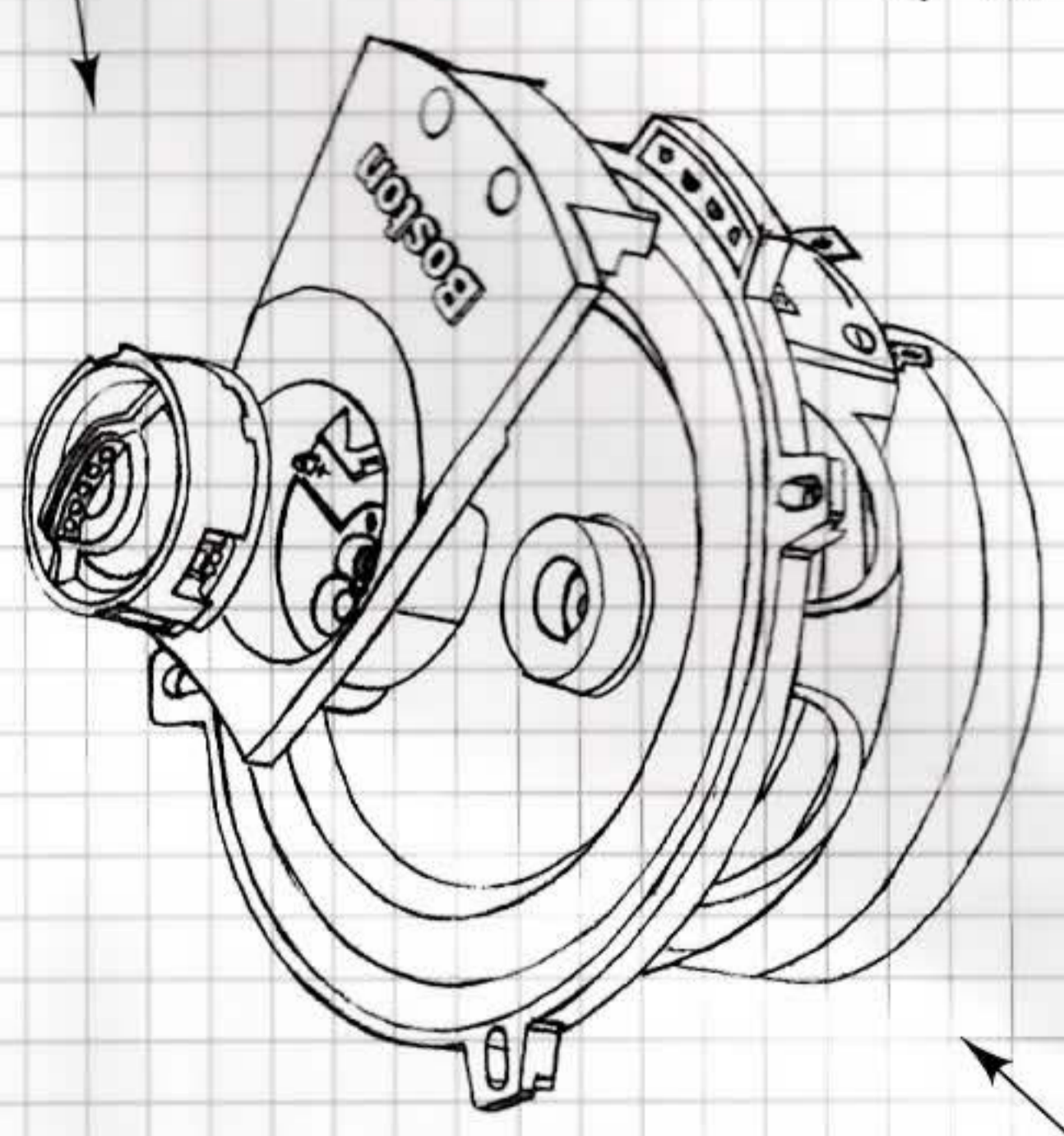


Boston

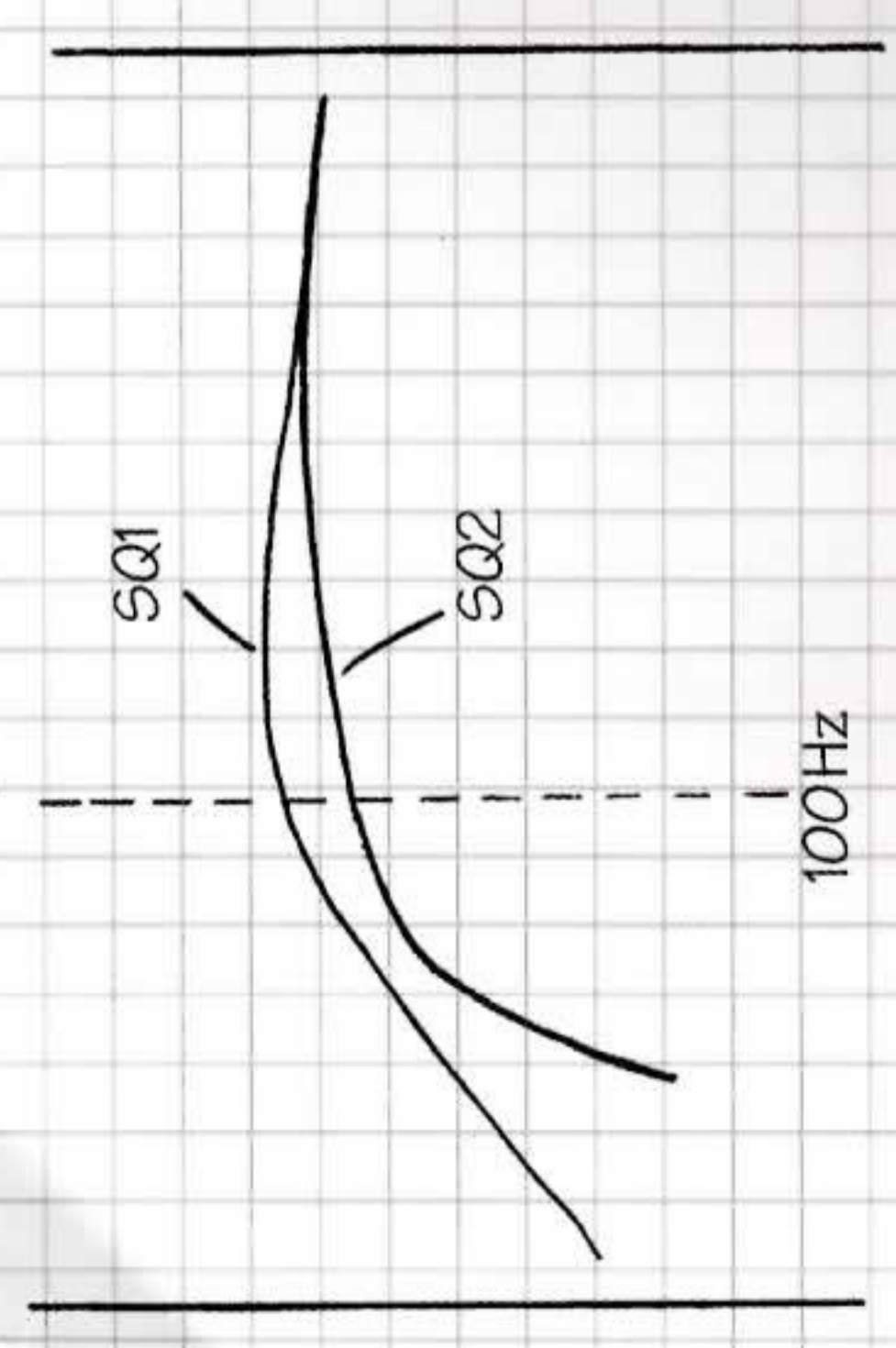
Boston Acoustics

Z5

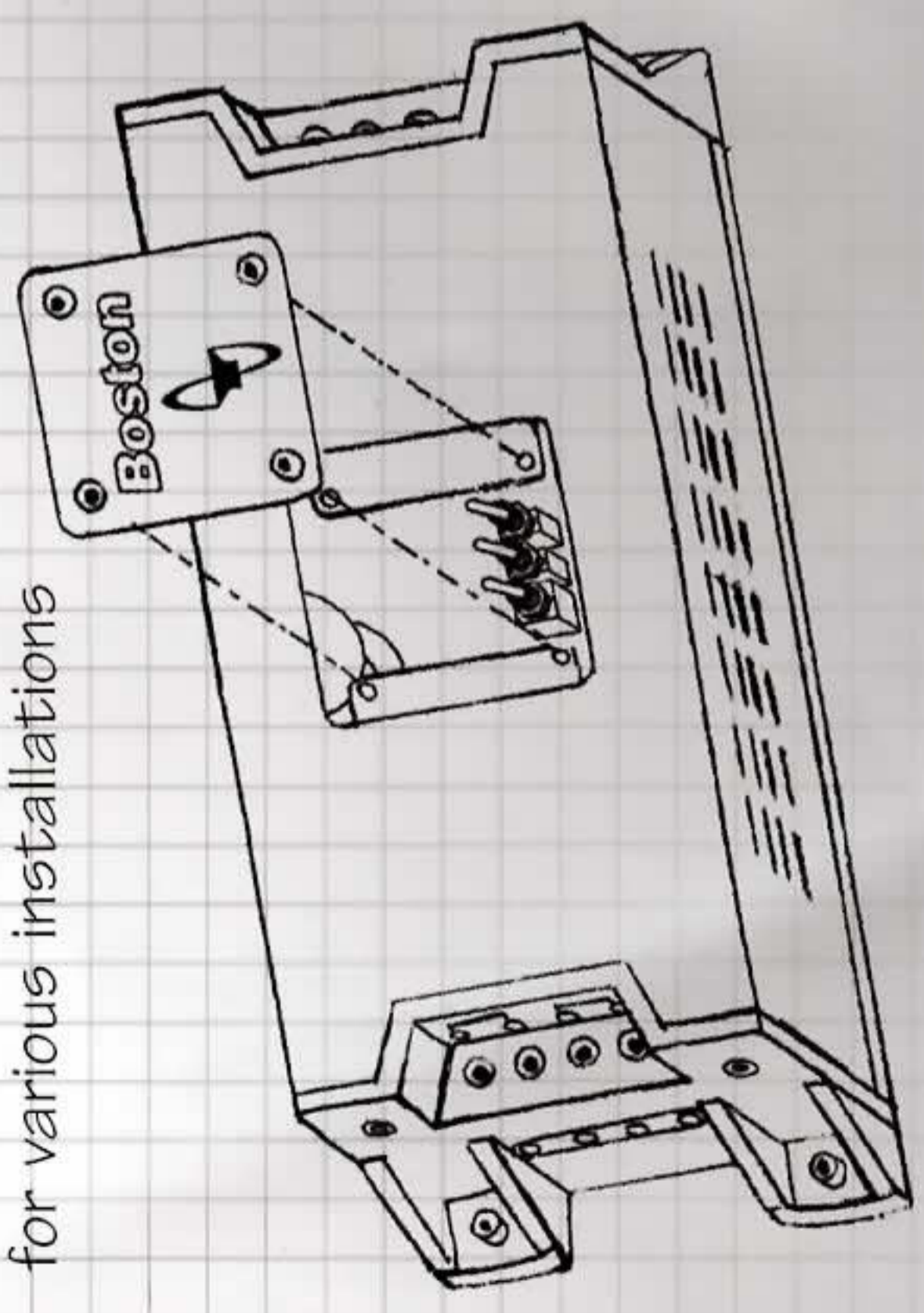
- Aluminum Dome AMD™ Tweeter—removable for flush, angle, or surface installations
- Aluminum Phase Plug—conducts heat away from the voice coil to maximize power handling
- Long-Strand Carbon Fiber Cone—offers a high strength-to-weight ratio
- Aluminum Axis Mount—provides a rigid platform for the tweeter and improves power handling through heat dissipation



Aluminum Woofer Basket—creates a bullet-proof foundation for all moving parts

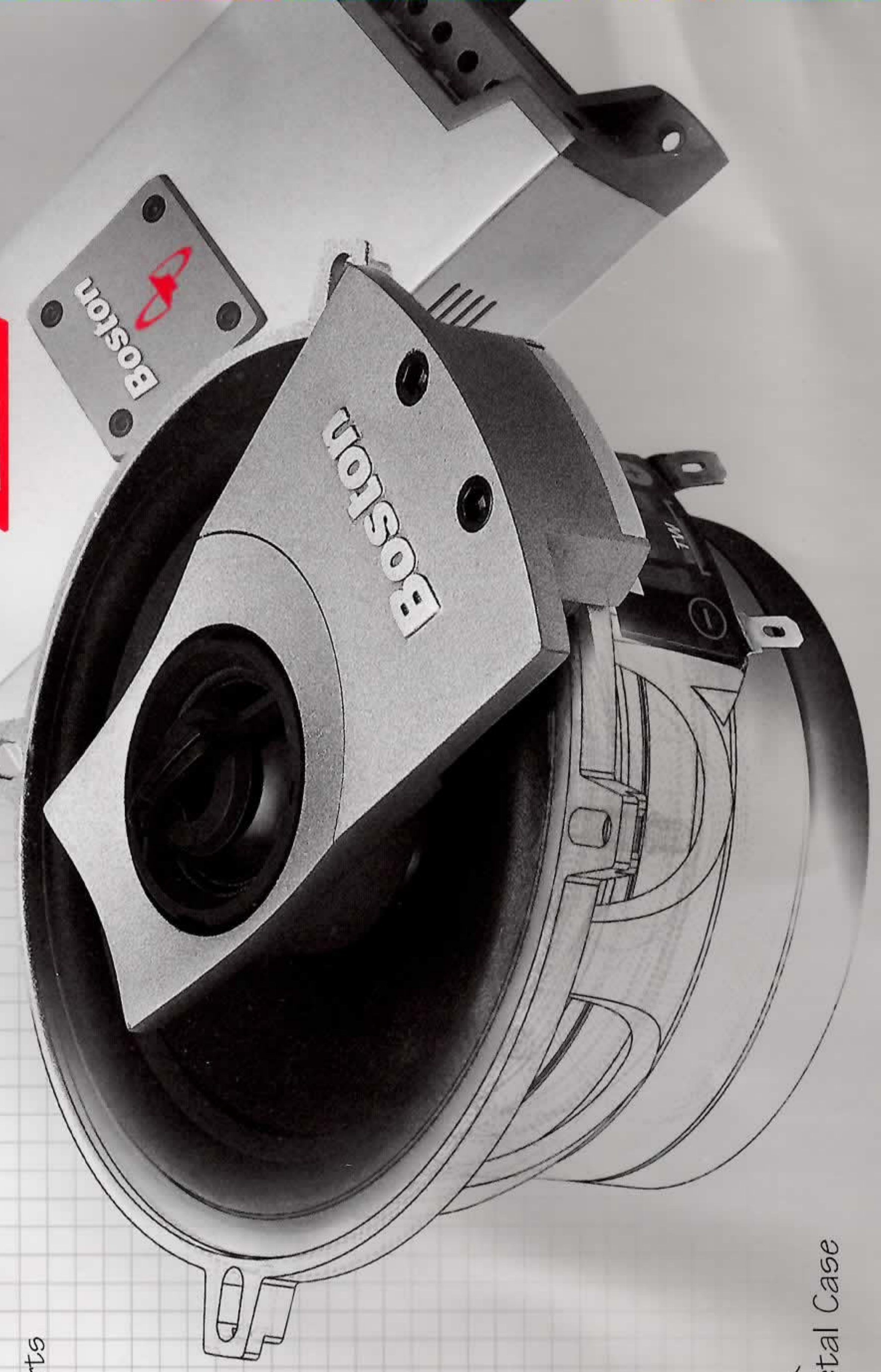


SQ Adjustments contour the bass region for various installations

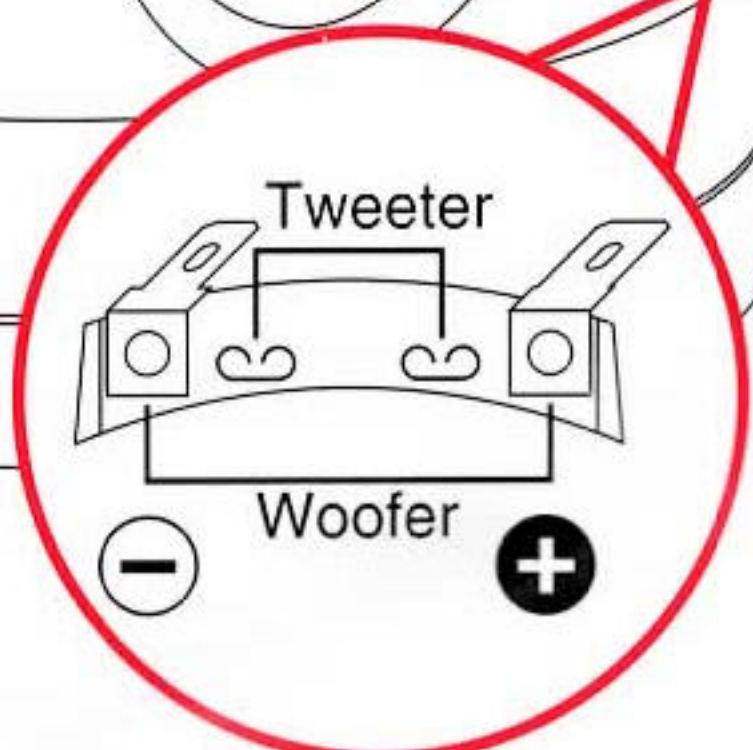
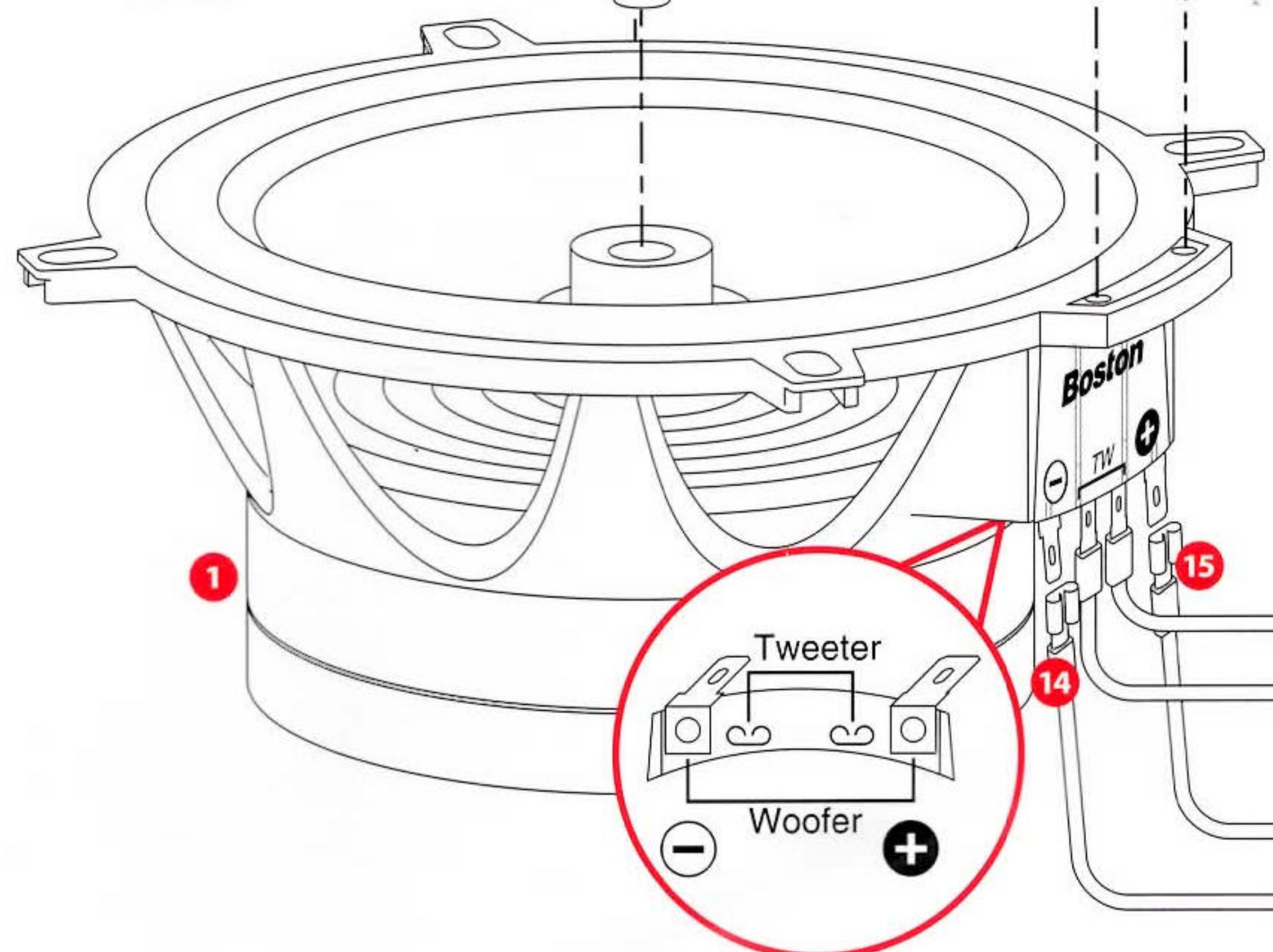
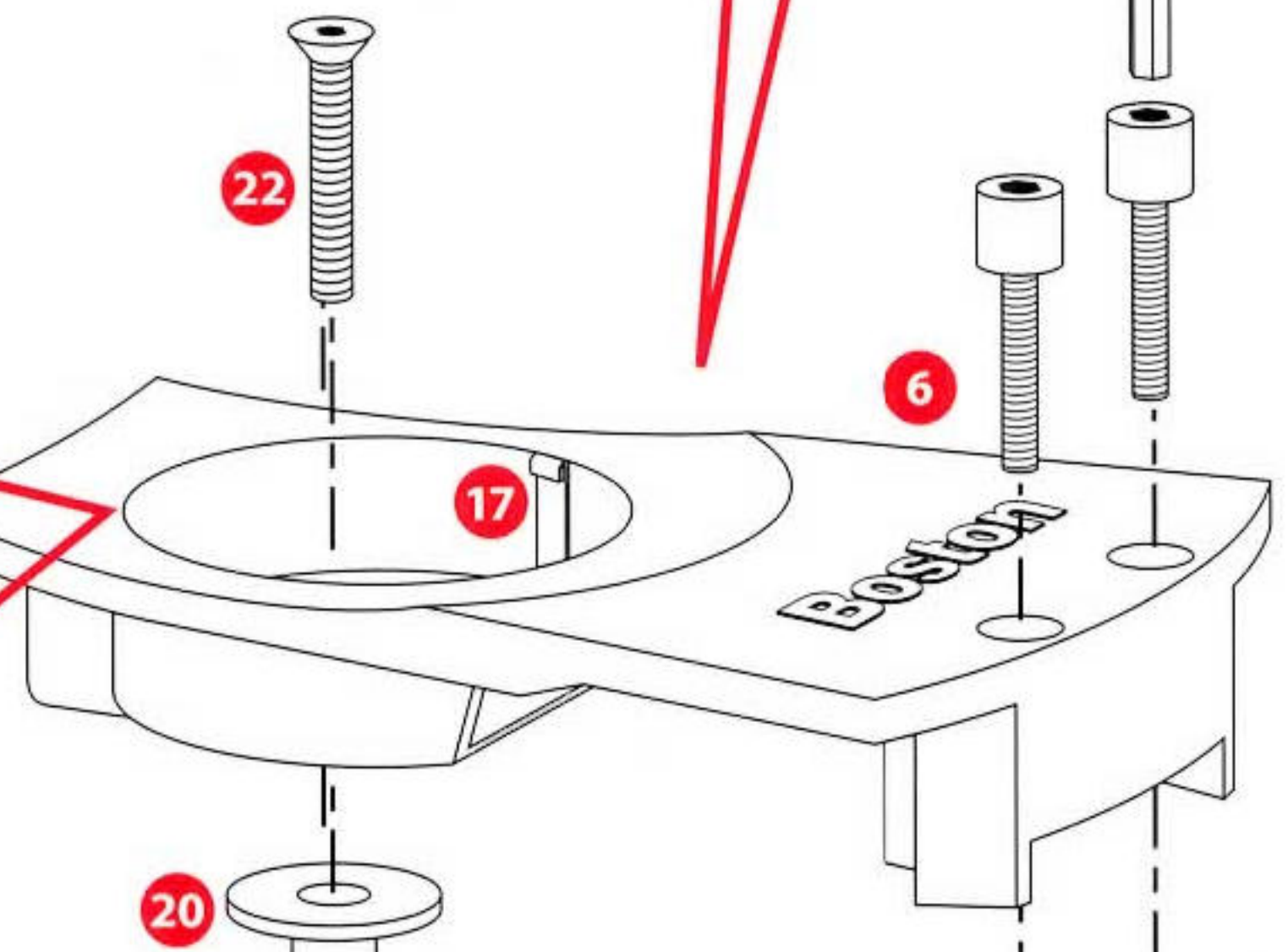
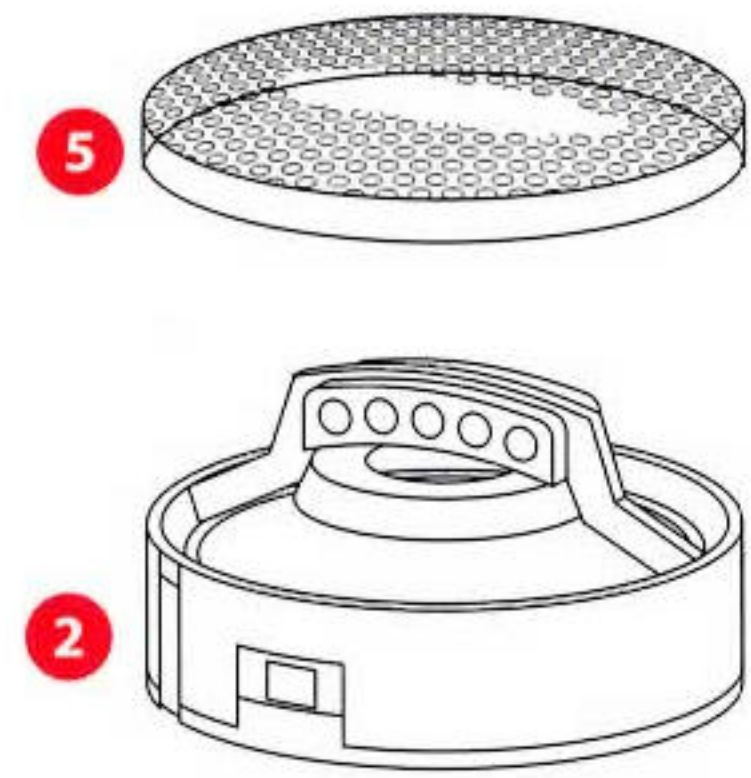
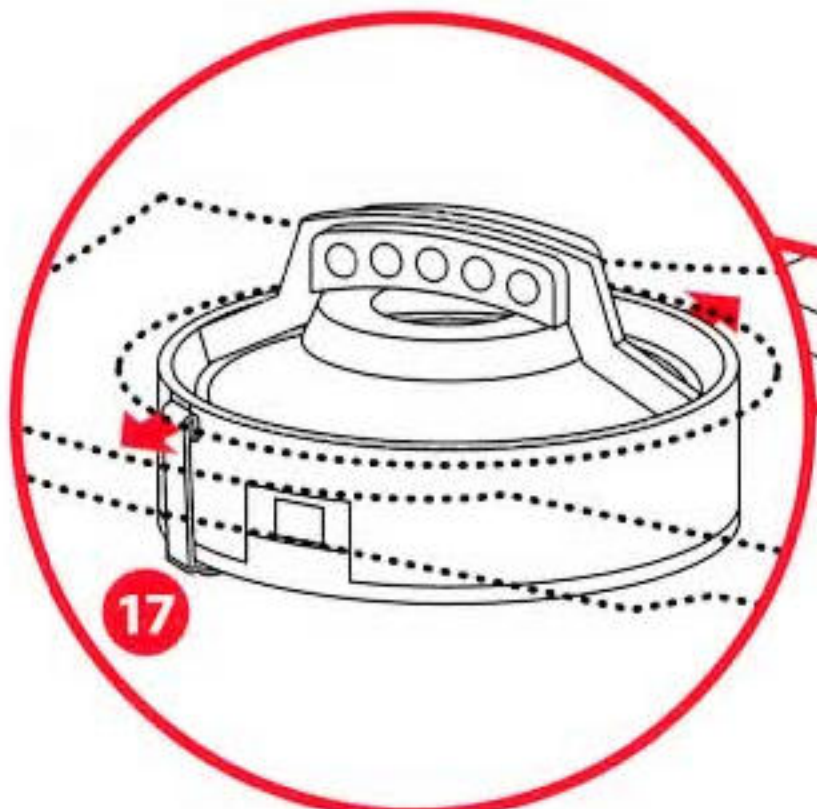
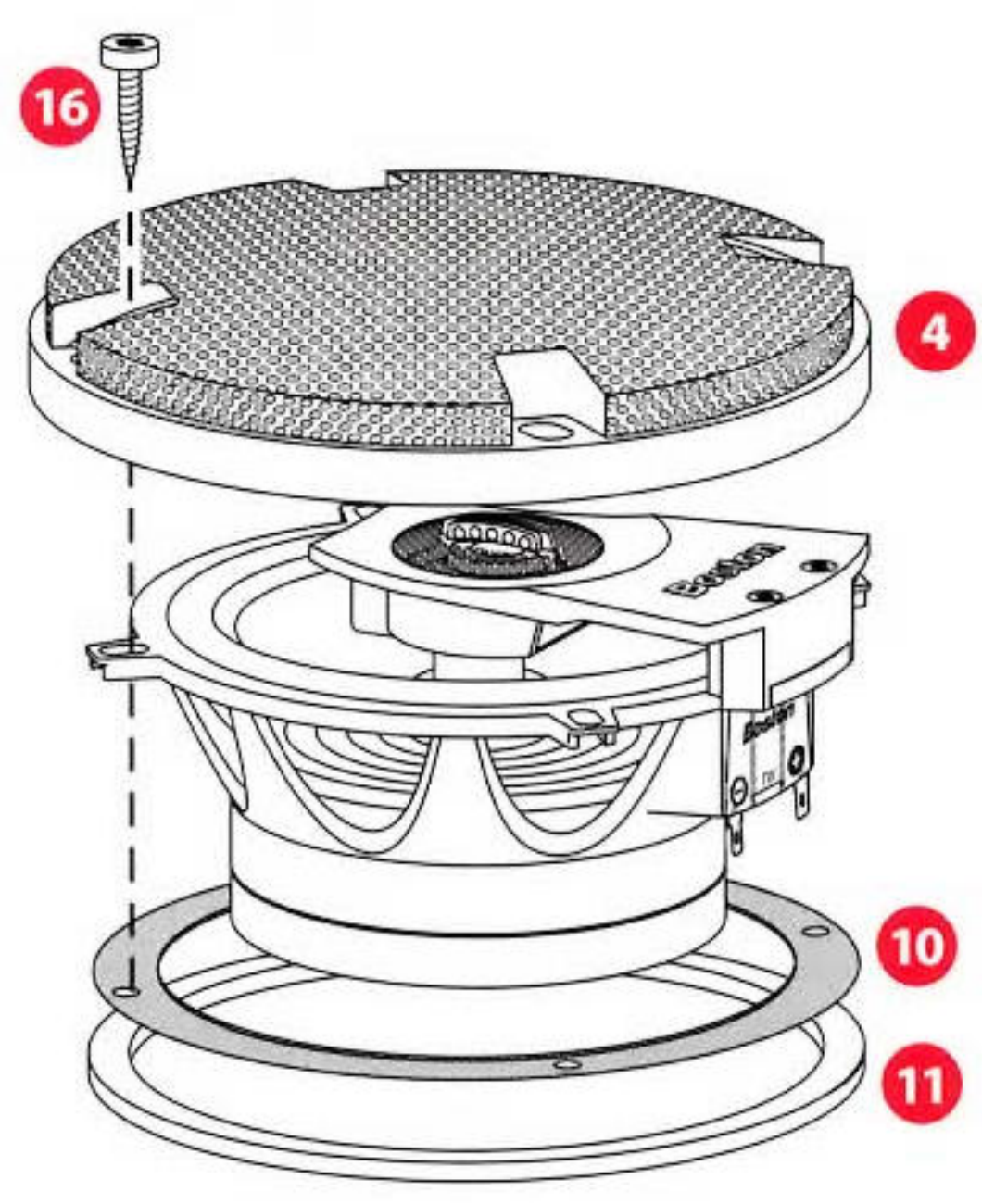
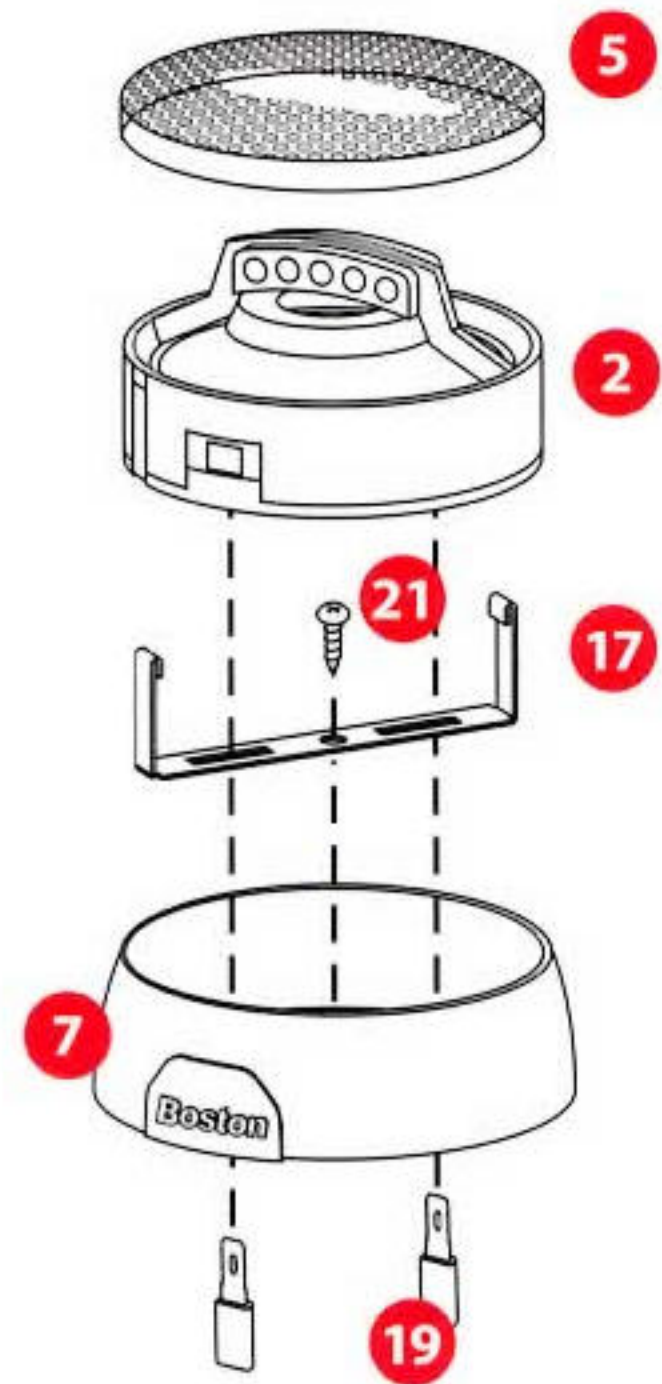
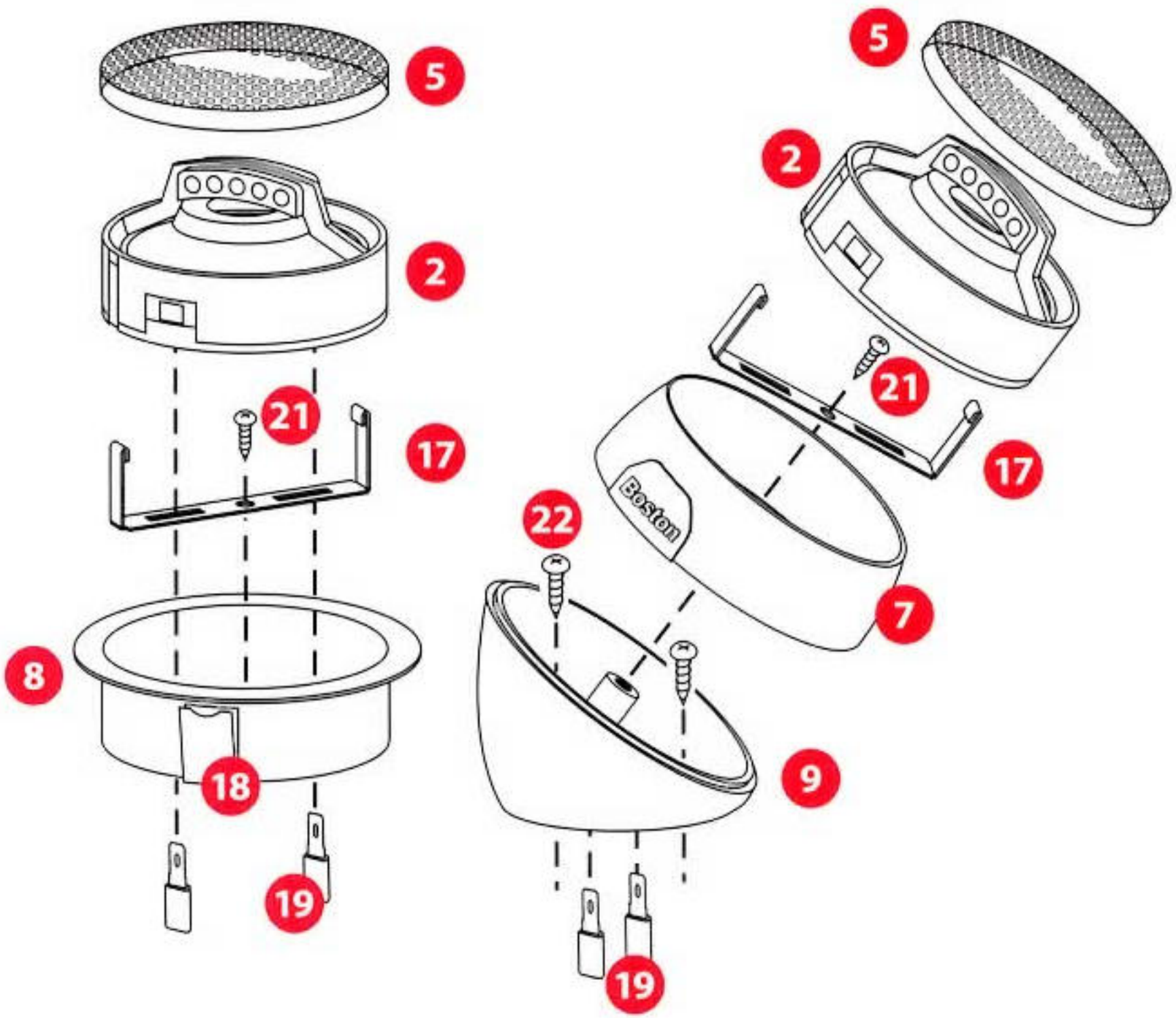


Fourth-Order Network—improves off-axis response

SQ1, SQ2, and Tweeter Attenuation—adjustments, located under crossover badge, allow installer to optimize for sound quality and/or SPL

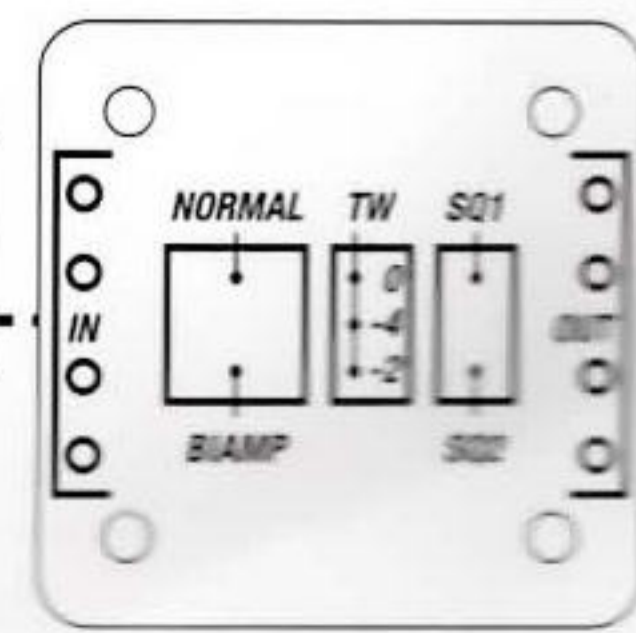
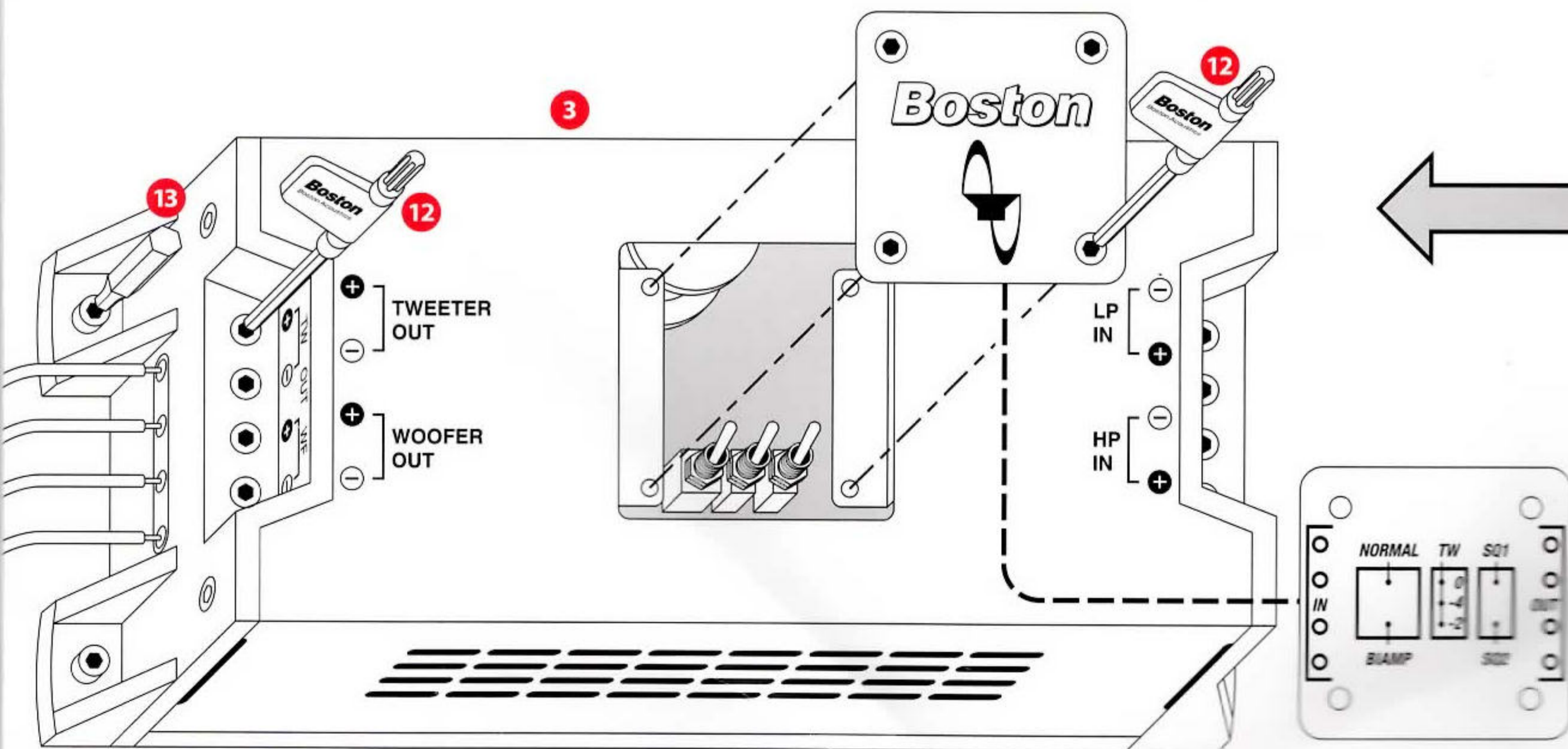
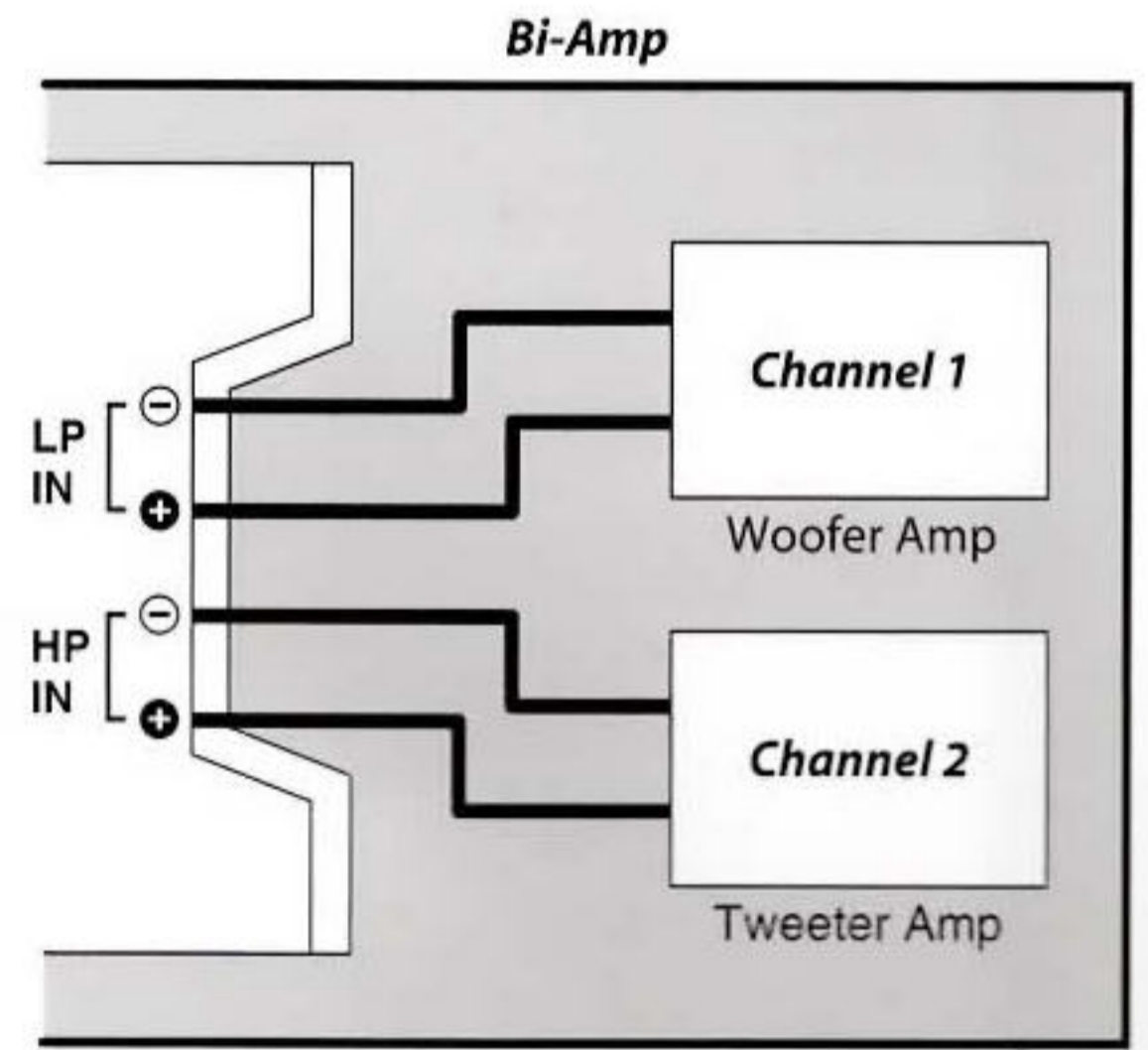
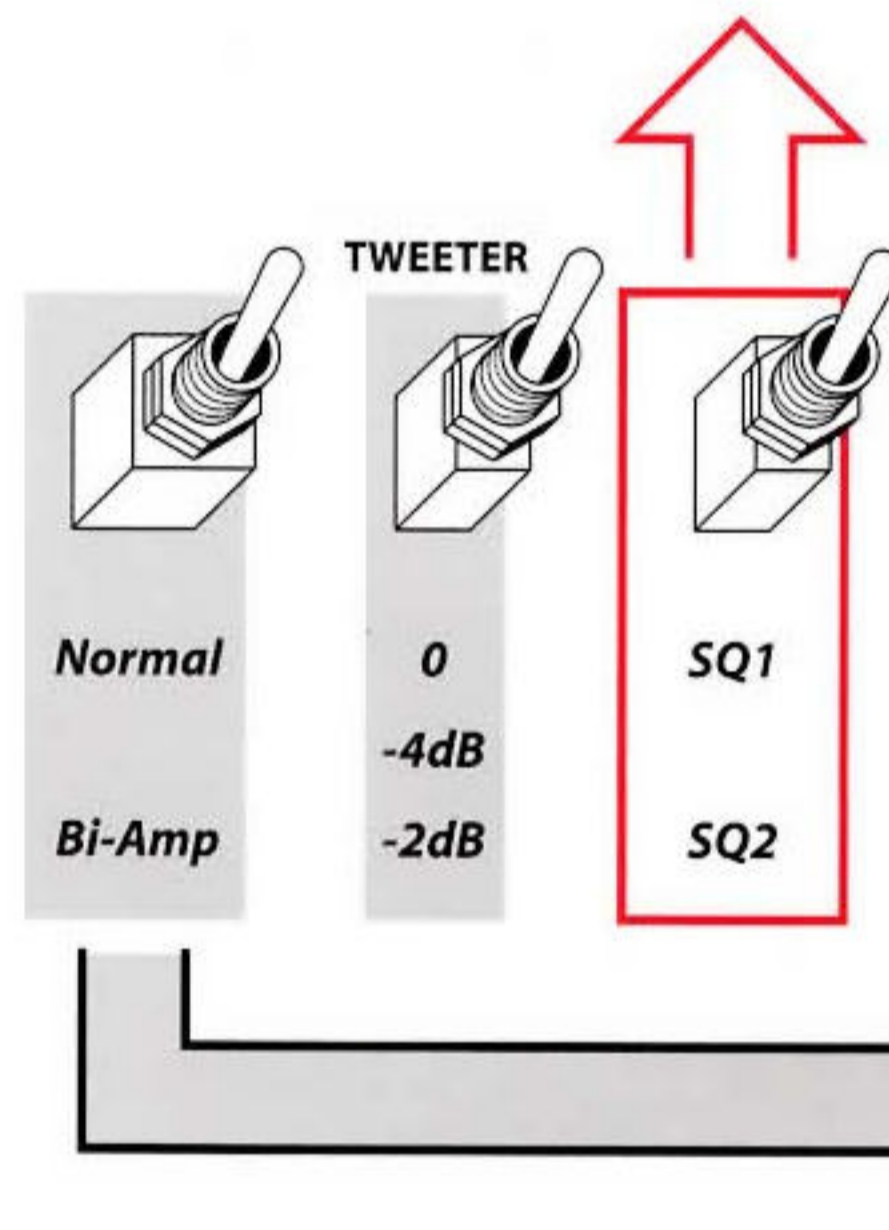
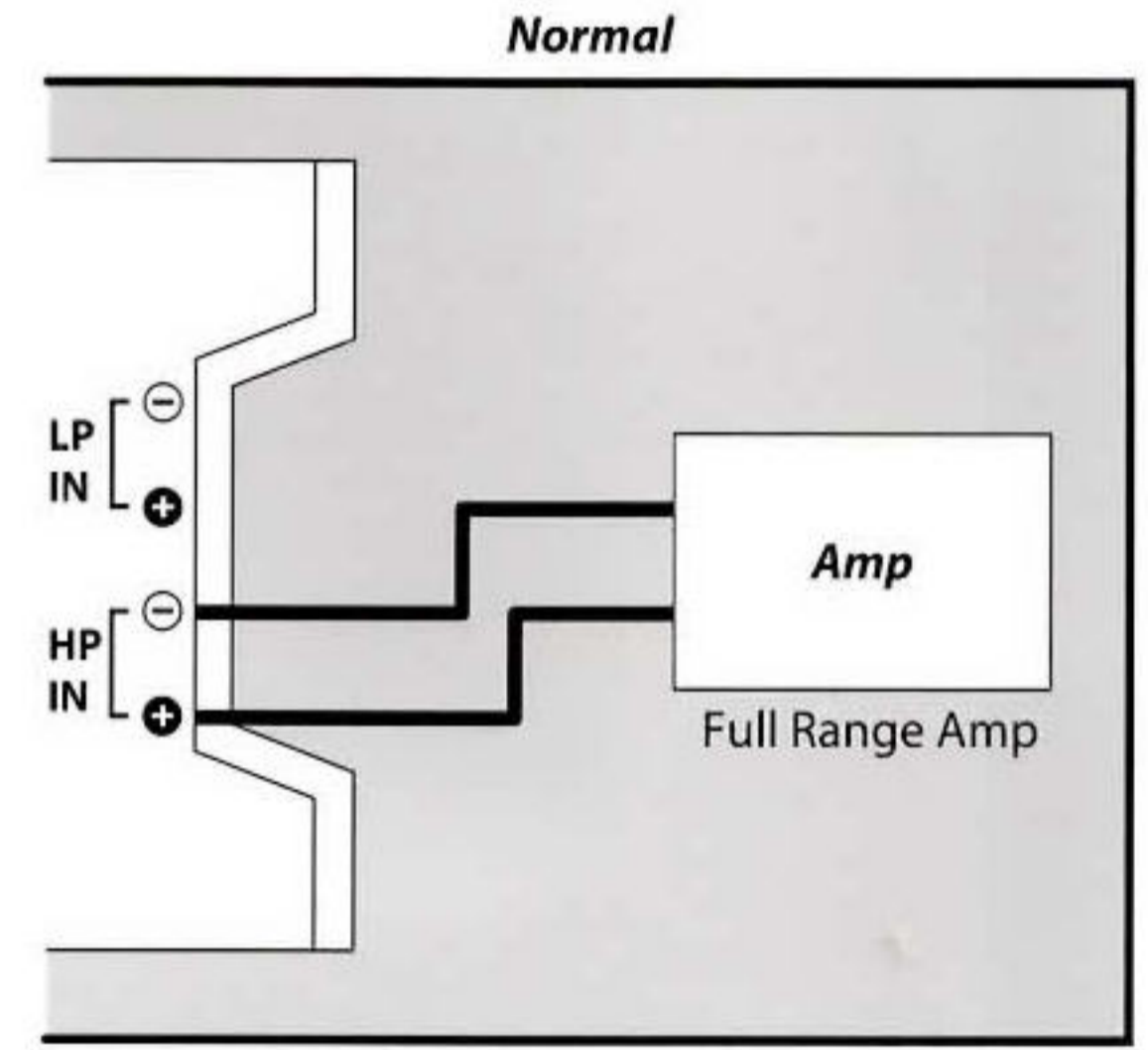
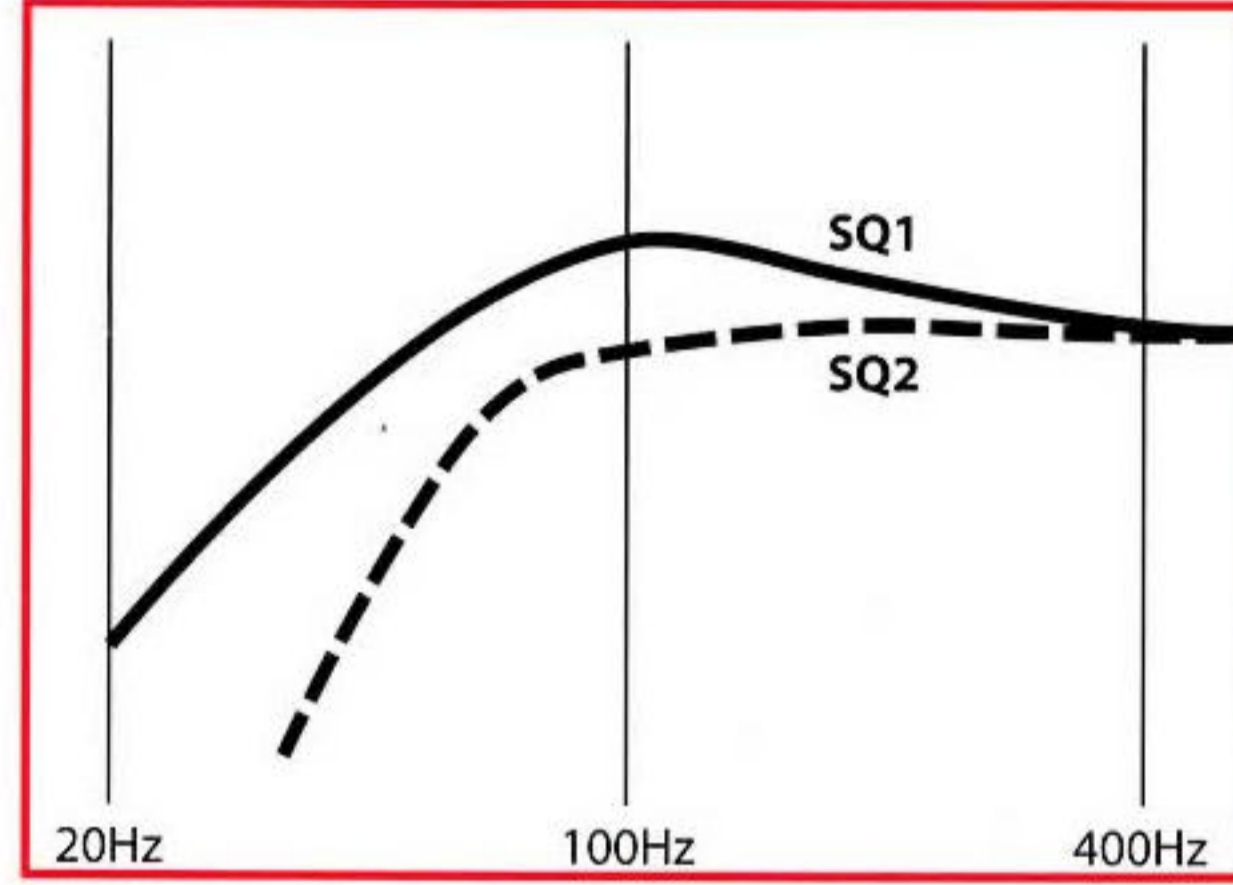


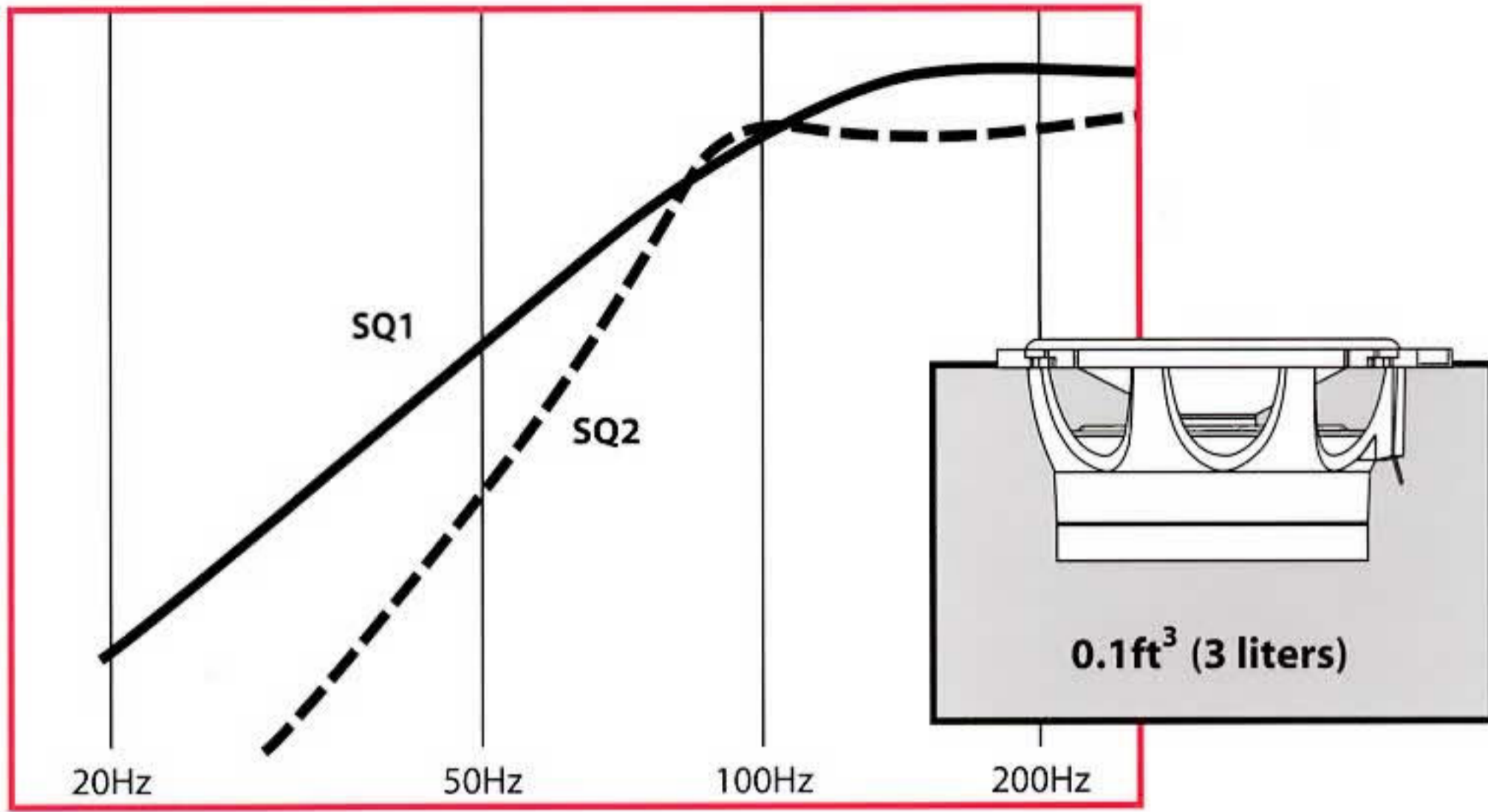
Metal Case



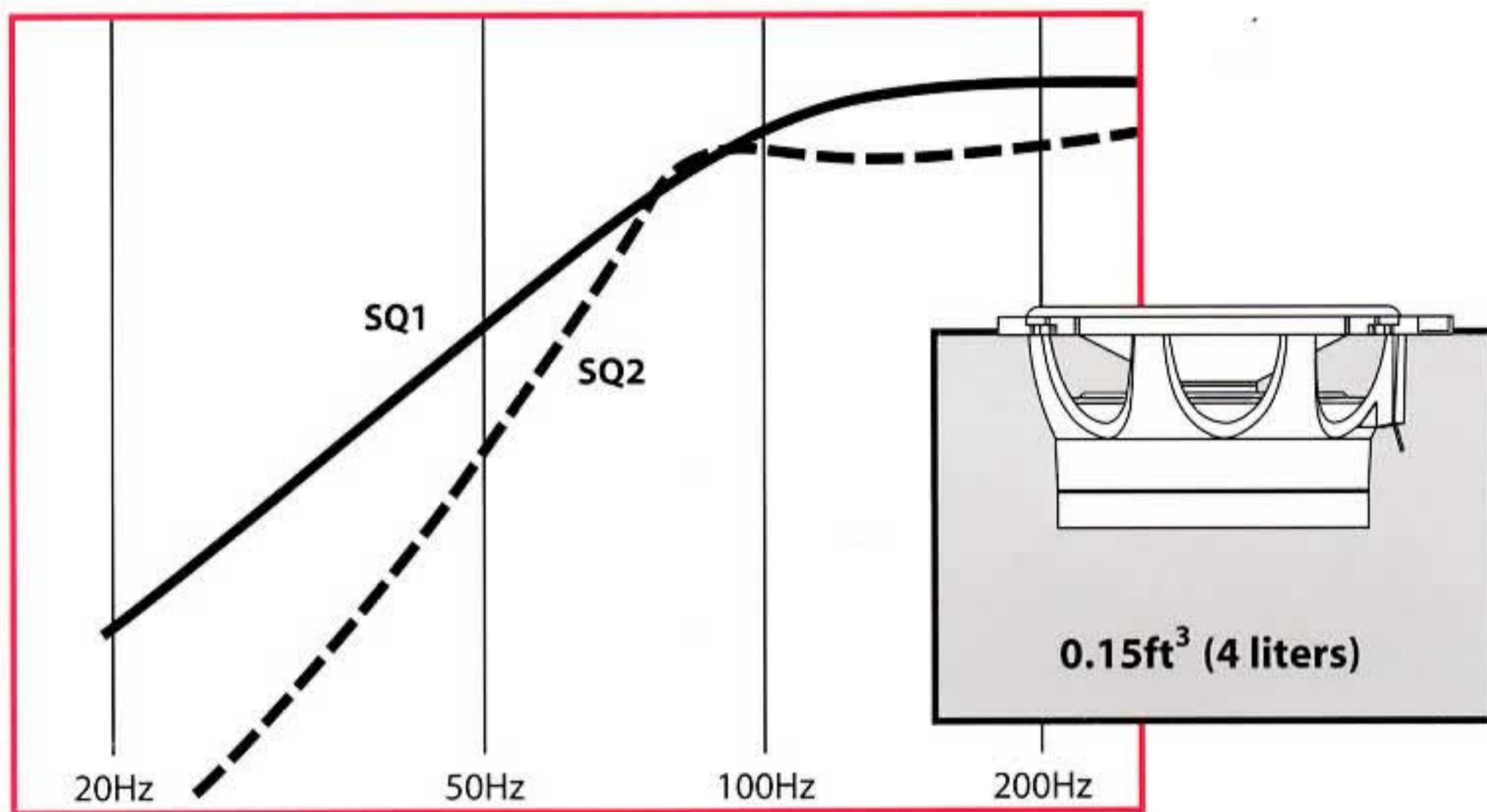
Z5

#	Description	Quantity
1	Z5 Woofer	2
2	Z5 Tweeter	2
3	Z5 Crossover	2
4	Z5 Woofer Grille	2
5	Tweeter Grille	2
6	Axis Tweeter Mount	2
7	Surface Tweeter Mount	2
8	Flush Tweeter Mount	2
9	Angle Tweeter Mount	2
10	Adapter	2
11	Woofer Gaskets	4
Not Shown	Woofer Hardware Pack	1
12	Universal Boston Hex Tool	1
13	Hex Bit $\frac{3}{32}$ "	1
14	Small Gold Terminal	2
15	Large Gold Terminal	2
16	$1\frac{1}{8}$ " Socket Button Head Screw	16
Not Shown	Tweeter Hardware Pack	2
17	Metal Clip	2
18	Spring Clip	2
19	Metal Terminal w/ Insulation	4
20	Spacer	2
21	$\frac{3}{8}$ " Pan Head Screw	2
22	1" Pan Head Screw	2
Not Shown	$\frac{1}{2}$ " Pan Head Screw	2

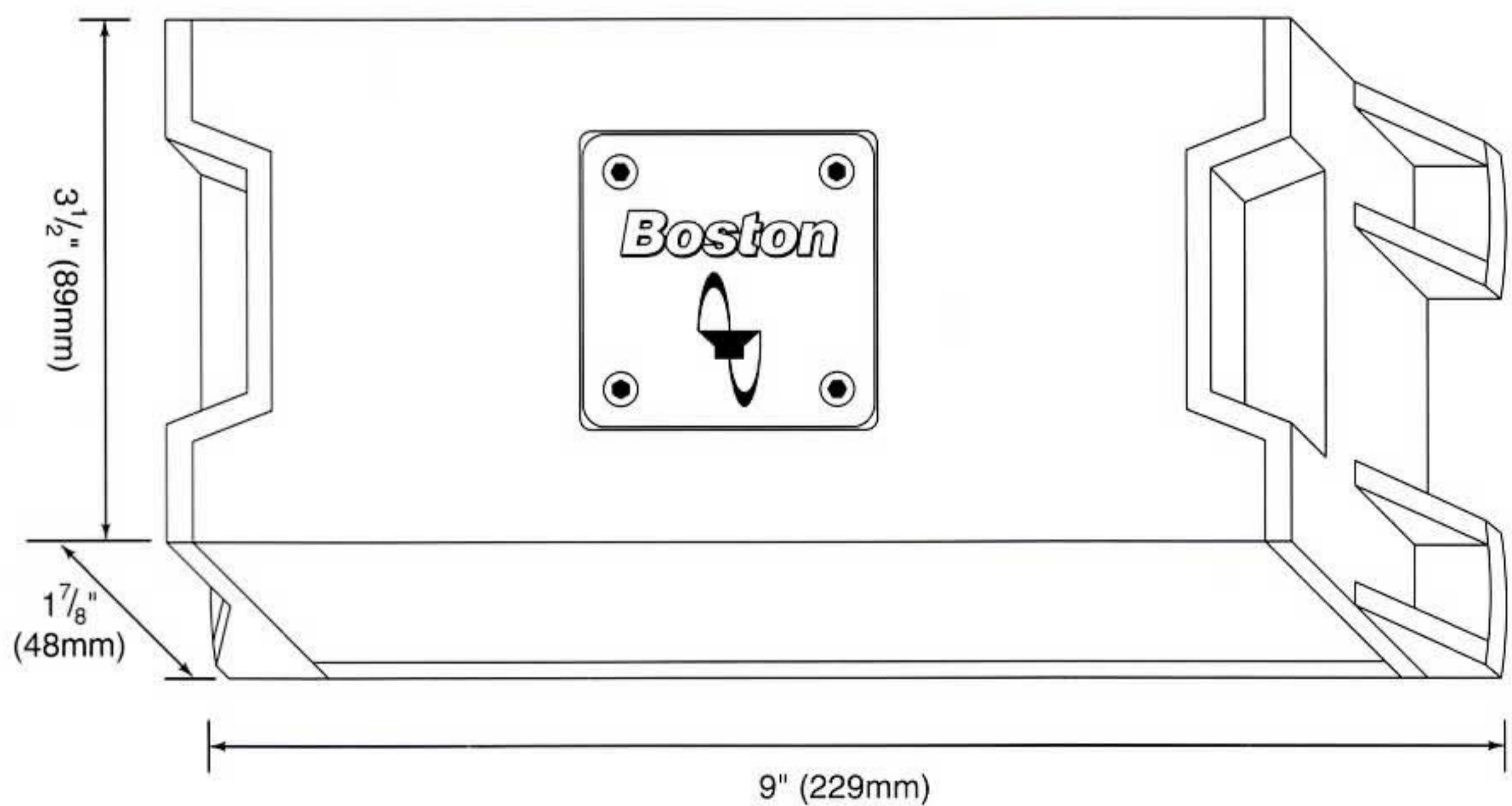
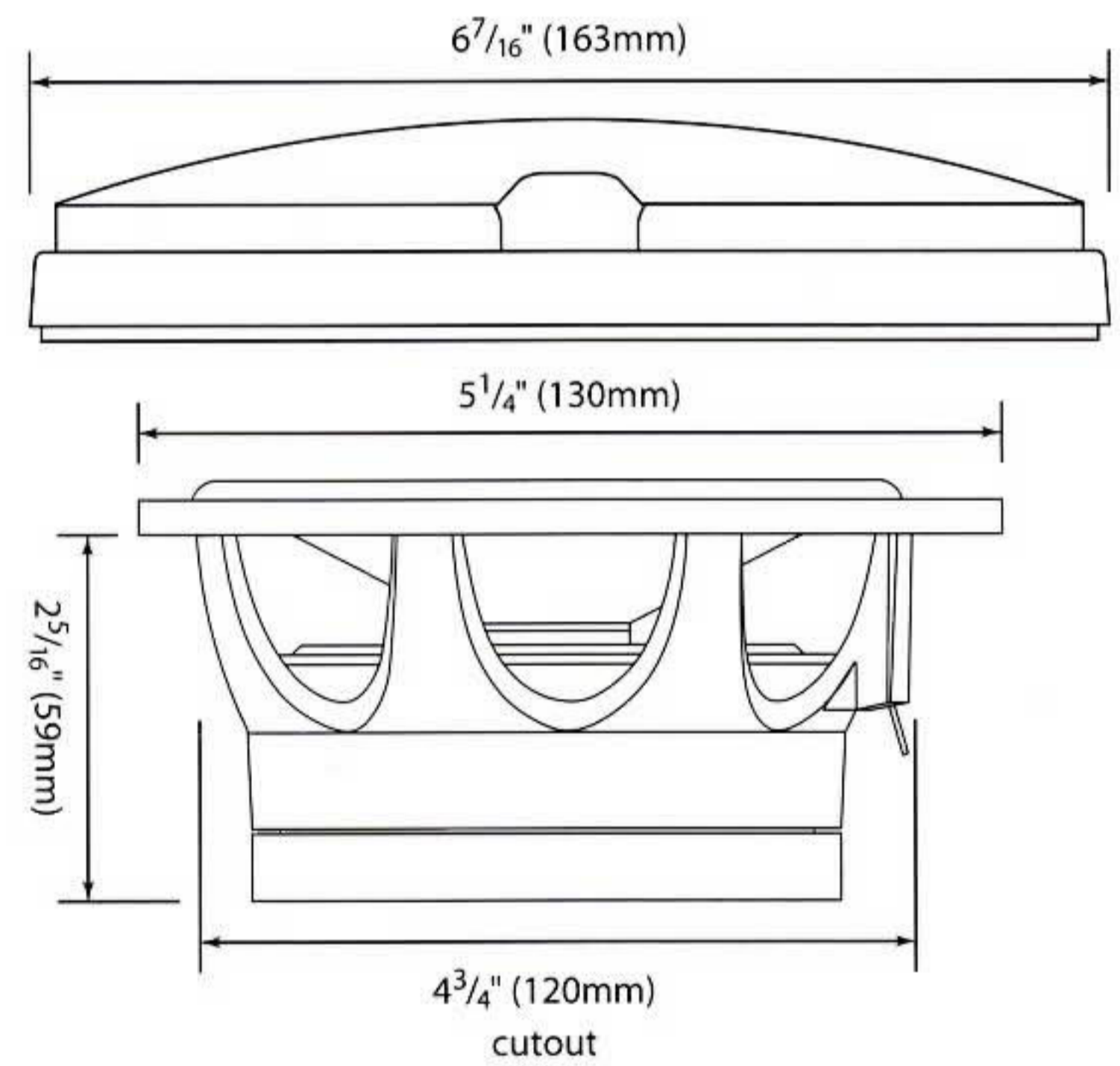
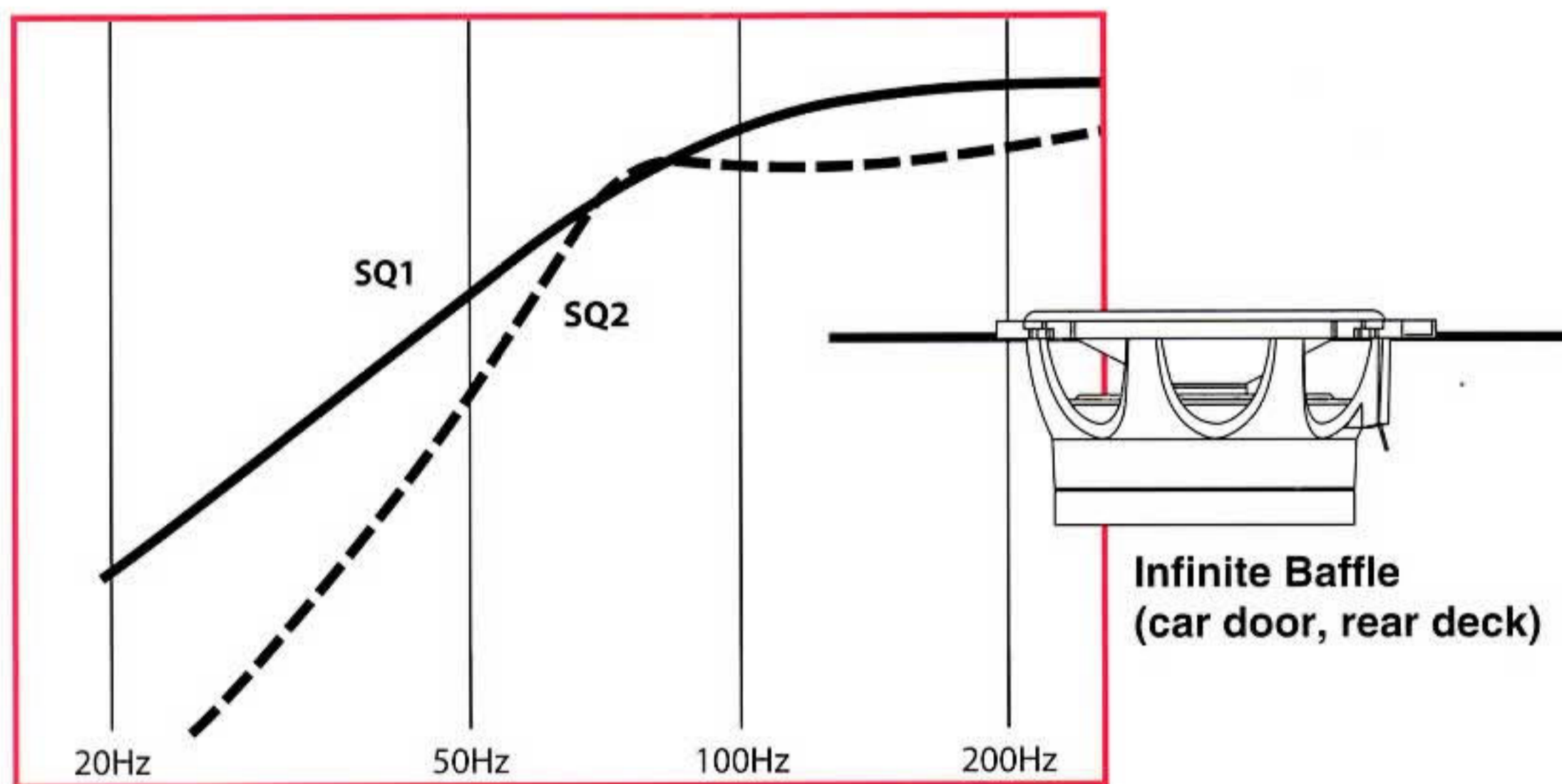




Z5



Specifications	Z5
Nominal Size	5 ¹ / ₄ " (130mm)
Recommended Amplifier Power	20–400 watts
Nominal Impedance	3Ω
Frequency Response	50Hz–22kHz
Sensitivity	90dB



Z

REFERENCE CAR COMPONENTS

Boston Acoustics introduces the Z6 and Z5 premium component speakers. Boston Z represents an enormous engineering effort—and accomplishment. The goal was to create an automotive component loudspeaker with outstanding bass extension and the smoothest, most accurate octave-to-octave tonal balance possible—all in a highly stylized design that minimizes installation effort and cost.

Z WOOFER, WITH ALUMINUM PHASE PLUG, MAXIMIZES BASS RESPONSE, HEAT DISSIPATION, AND EFFICIENCY

LONG-STRAND CARBON FIBER CONE PROVIDES A HIGH STRENGTH-TO-WEIGHT RATIO

BOSTON VR® TWEETER, WITH AMD™, IS OPTIMIZED FOR MOBILE ENVIRONMENTS

TWEETER MAY BE MOUNTED ON-AXIS WITH WOOFER, OR IN FLUSH-, ANGLE-, OR SURFACE-MOUNT LOCATIONS

FOURTH-ORDER CROSSOVER NETWORK GREATLY IMPROVES OFF-AXIS RESPONSE

TWEETER PROTECTION ATTENUATES OUTPUT DURING OVERLOAD CONDITIONS

FACTORY LOCATION COMPATIBILITY



ALUMINUM WOOFER BASKET / Rigid, die-cast aluminum baskets keep all moving parts in perfect alignment even during jarring road conditions—and accommodate larger, high-strength magnet assemblies. Oversized basket “windows” also allow free-flow air cooling.



ALUMINUM AXIS MOUNT / Provides a stiff mounting platform for the tweeter. Built-in heat sink conducts damaging heat away from the tweeter and improves power handling. Platform also acts as a tweeter baffle, improving frequency response.



ALUMINUM PHASE PLUG / Acts as an acoustical filter which improves woofer response. The aluminum also conducts heat away from the woofer voice coil to maximize power handling.



WOOFER TERMINALS / The polycarbonate woofer terminal assembly provides tweeter wire management via integral bus bars.



CROSSOVER / Z crossovers are system-specific. A bi-ampable crossover network features a high-impact circuit board, high-grade circuitry, and a metal case.

From conception, Z was engineered to install easily into almost any vehicle. Without this seemingly simple attribute, all of the other stringent performance criteria placed on the product meant nothing. In order to make Z compatible with the broadest range of vehicles, we include four mounting adapters with each Z6 system—160mm, 165mm, a 1/2-inch spacer, and a 5x7-inch plate. When installed with one of these four adapters, the Z product drops effortlessly into the most common factory locations.



To further maximize ease of installation—and aesthetics—the Z includes an axis mount as its primary tweeter position. This design eliminates the need to custom-cut an after-market tweeter location, but it also ensures the most consistent performance by guaranteeing point-source acoustic imaging. The Z axis mount is constructed of die-cast aluminum, which provides a rigid platform and improves power handling by acting as a heat sink. The Z5 and Z6 ship with the axis mount pre-assembled.

The Z tweeter is derivative of the award-winning Boston VR® tweeter—the same tweeter used in our flagship VR-M™ reference home system. Modifications were made to the AMD™ to optimize it specifically for the Z system and the automotive environment. The result is the best automotive tweeter Boston has ever produced. To maintain consistency, the new Z tweeter is compatible with all existing ProSeries® tweeter mounts.

The Z woofer is built on a highly modified ProSeries aluminum chassis. The magnet skirt has been turned down to accommodate the more robust Z motor assembly, and the basket windows have been machined to present more open area for improved bass response and cooling. An aluminum phase plug/AMD was used to improve power handling, tonal balance, and to provide a stable mounting platform for the axis mount. Finally, a long-strand carbon fiber cone was chosen for its superior strength-to-weight ratio.

The heart of the system is the Z crossover. Housed in a metal case, the double-sided, 2mm-thick PC board is populated by only the highest quality components. The network is a fourth-order, highpass and lowpass filter, thus maximizing tweeter placement flexibility and off-axis response. Beneath the removable logo panel, three system-contouring switches are located: Switch #1 determines if the crossover is to be used in bi-amp or normal mode; switch #2 controls tweeter attenuation; and switch #3 offers a bass-contouring adjustment. Tweeter protection is handled by a compression circuit, which attenuates output during overload conditions. To minimize operating temperatures, all of the power resistors are mounted on the underside of the board, locked into a channel in the extruded aluminum crossover base.

BOSTON SOUND™

A lot of people keep asking us, what exactly is the Boston Sound? Well, in plain English, it means that all Boston systems—from our largest and most powerful home theater speakers to our car audio components—all speak in the same “voice.” What sets the Boston Sound apart is a pure, neutral tonal balance from one end of the sonic spectrum to the other. Another way of saying this is that highs, mids, and lows all play in perfect balance. The result: Whether you’re listening to music or movies, you hear exactly what the original artist had intended. An explosive special effect in a movie has all the power and impact in your home theater that it had in the movie theater. You get the idea: The Boston Sound is as close to reality as you can get.

BOSTON EVERYWHERE

So, if a tonally balanced, uncolored, and realistic sound is the “right” sound, it stands to reason that Boston speakers are also “right” for all environments. And happily, we offer systems that work in any part of your house. In walls and ceilings. In bathrooms. Family rooms. In large rooms. Small rooms. We even make weather-resistant speakers that you can put on your boat or patio. Plus, if you’re a home theater buff, we offer center channel speakers, surrounds, and subwoofers to match any pair of Boston’s main speakers. We also make some of the industry’s best-sounding systems for use with computers, portable stereos, or MP3 players. So you can have the Boston Sound, literally, everywhere you live.

SPECIFICATIONS

	Z6	Z5
FREQUENCY RESPONSE (±3dB)	40Hz–22kHz	50Hz–22kHz
RECOMMENDED AMPLIFIER POWER	20–400 watts	20–400 watts
NOMINAL IMPEDANCE	3 ohms	3 ohms
SENSITIVITY [1 watt (2.83v) at 1m]	90dB	90dB
BASS UNIT	6½" (160/165mm) long-strand carbon fiber cone	5¼" (130mm) long-strand carbon fiber cone
TWEETER	1" (25mm) anodized aluminum dome w/AMD	1" (25mm) anodized aluminum dome w/AMD