

■ Features

- Multi Transverse Mode
- Can Type: $\phi 9.0$ mm Floating Mounted with Protection device

■ Absolute Maximum Ratings

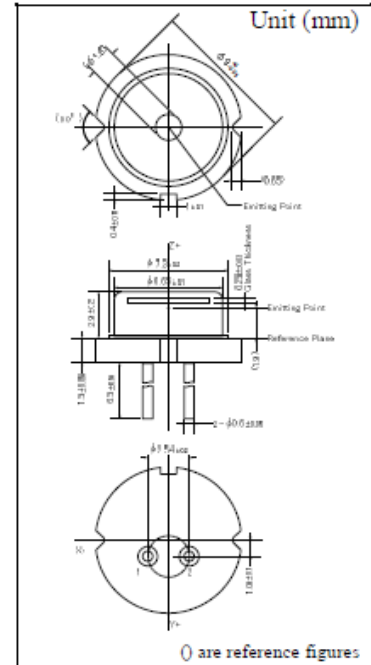
Item	Symbol	Absolute Maximum Ratings	Unit
Forward Current ($T_c=25^\circ\text{C}$)	I_f	(1.7)	A
Allowable Reverse Current ($T_c=25^\circ\text{C}$)	I_r (LD)	85	mA
Storage Temperature	T_{stg}	-40 ~ 85	$^\circ\text{C}$
Operating Case Temperature	T_c	0 ~ 50	$^\circ\text{C}$

■ Initial Electrical/Optical Characteristics

($T_c=25^\circ\text{C}$)

Item	Condition	Symbol	Min	Typ.	Max	Unit	
Optical Output Power	$I_f=1.5\text{A}$	P_o	-	(1.0)	-	W	
Dominant Wavelength	$I_f=1.5\text{A}$	λ_d	510	520	525	nm	
Threshold Current	CW	I_{th}	-	(0.3)	-	A	
Slope Efficiency	CW	η	-	(0.83)	-	W/A	
Operating Voltage	$I_f=1.5\text{A}$	V_{op}	-	(4.6)	-	V	
Beam Divergence *	Parallel	$I_f=1.5\text{A}$	$\theta_{//}$	5	(11)	25	$^\circ$
	Perpendicular	$I_f=1.5\text{A}$	θ_{\perp}	35	(46)	55	$^\circ$
Beam Pointing Accuracy	Perpendicular	$I_f=1.5\text{A}$	$\Delta\theta_{\perp}$	-5.0	-	5.0	$^\circ$

Outline Dimension



Pin Connection

