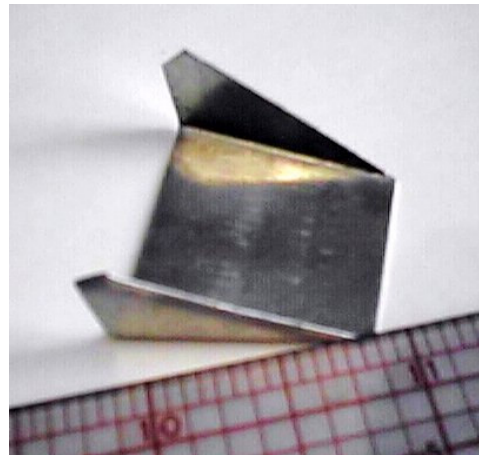
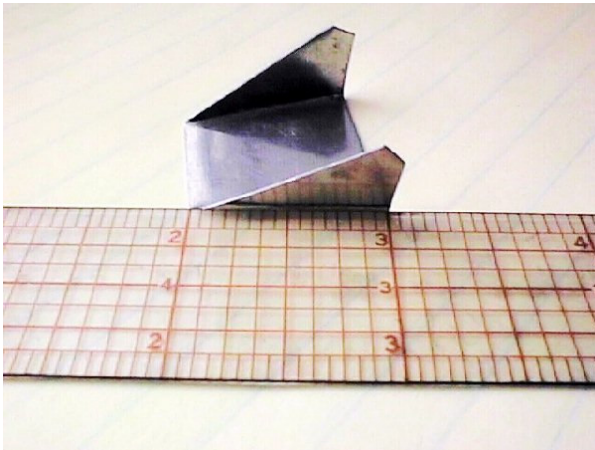
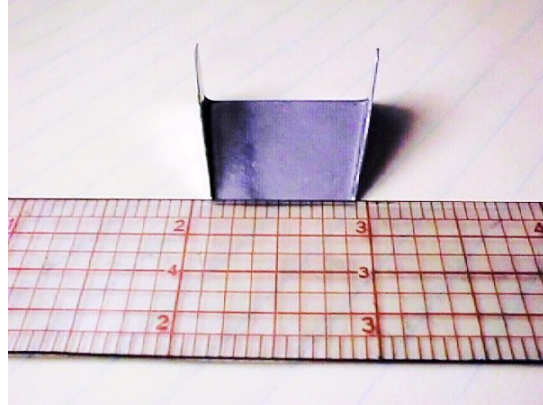
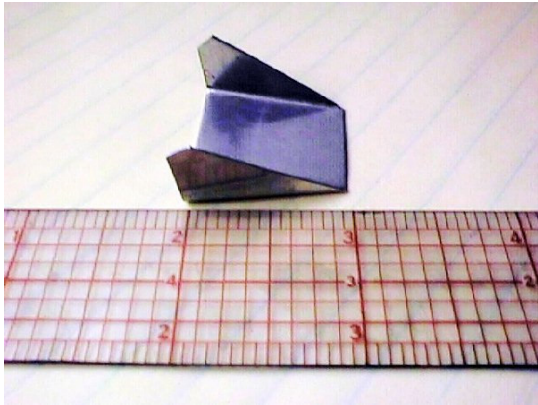


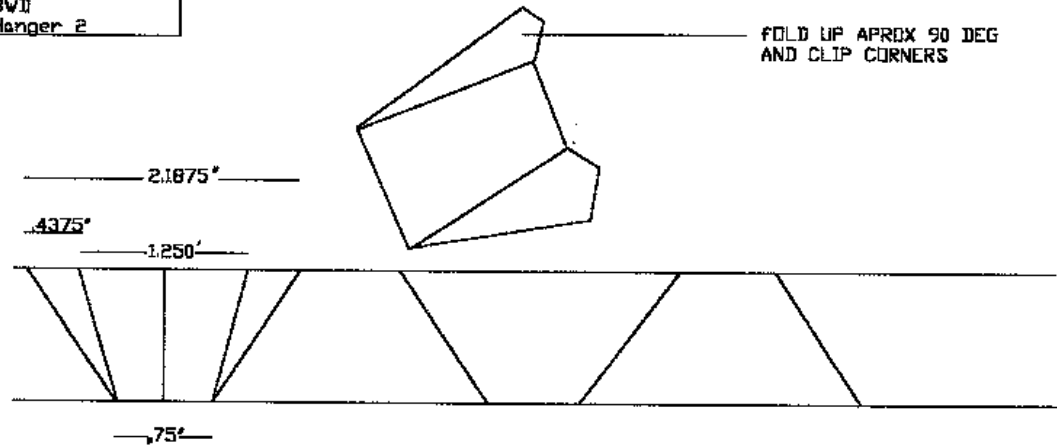
Nate Rambo's Vortex Generators



Placement of VG's on a Dragonfly

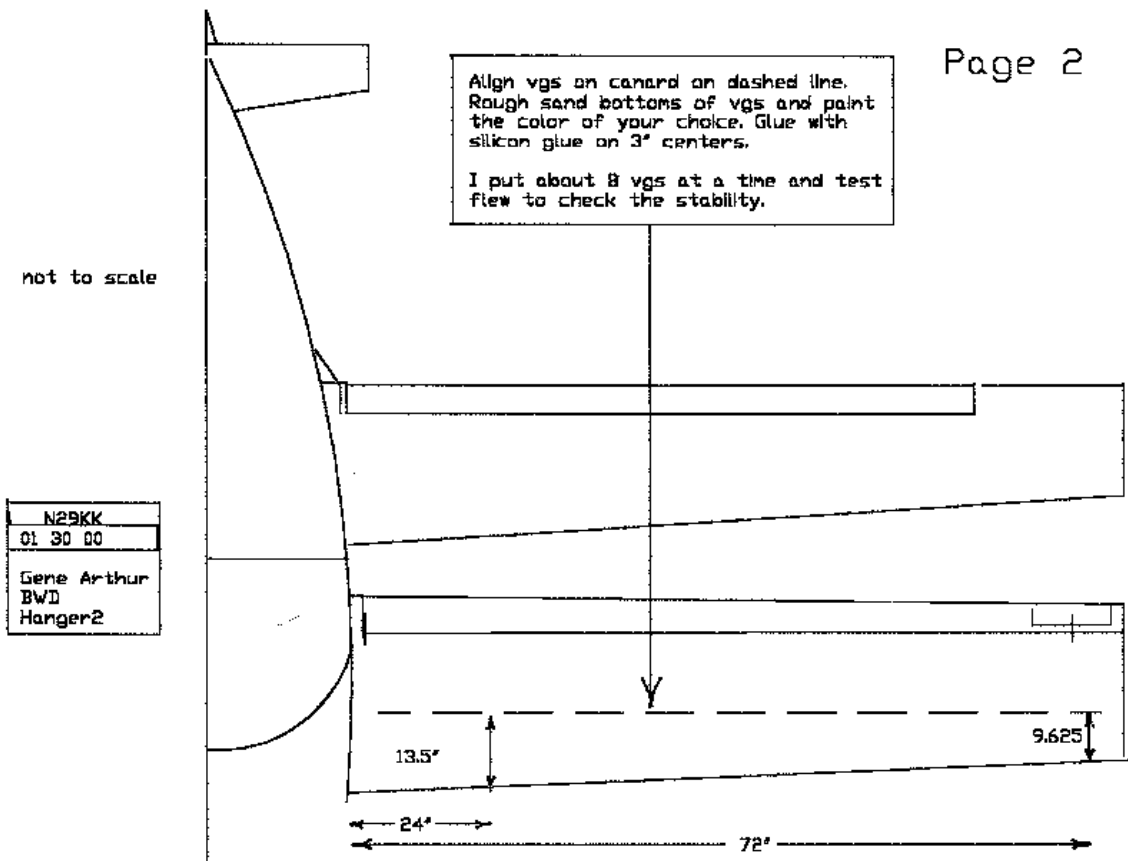
flight tested by
Gene Arthur in
Sept 1989
BVI
Hanger 2

Nathan Rambo's vgs
Sept 1989



FABRICATION:

1. Shear out a long piece of 0.020 aluminum 1 inch wide.
2. Layout the vg blanks on the strip as shown below.
3. Shear off the frustrums of cones to make about 60 pieces or enough to cover canard from fuselage to tip. Make extras.
4. Bend up the triangular tabs. You should nip off the sharp points to keep you from getting stuck.



The above drawing shows placement of VG's on a Dragonfly